

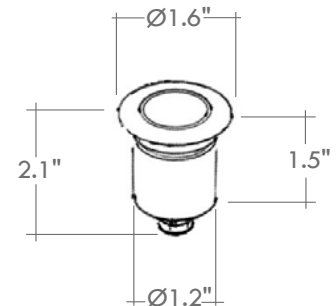
Gem Pro is a round, IP67-rated, recessed fixture with frame, suitable for installation in floors or walls, made to ensure durability and maximum resistance against atmospheric agents. Gem Pro 1 is the Ø1.6" version with 2.2W, 3 color temperatures and 5 optics options.

TECHNICAL DATA

Wattage / Input	2.2W (24VDC)
Power Supply	Remote, not included. See page 2.
Construction	Body: Anticorodal Aluminum, Stainless Steel on request. Front Ring Nut: AISI 316L Stainless Steel Lens: PMMA (Acrylic) Diffuser: Extra Clear Glass Cable Length: 1.64'
CCT	2700K, 3000K, 4000K
BUG Rating	B0-U3-G0 (3000K)
Delivered Lumens	190 lm (3000K)
Efficacy	86.4 lm/W (3000K)
Optics	5 Standard, See Below
Finishes	Stainless or Bronze
Fixture Dimensions	Ø1.57" x 2.13" h
Cutout Dimensions	Ø1.26"
Color Consistency	<3-Step MacAdam
IP Rating	IP67
Driveover Capacity	Up to 6614 lbs



Fixture Dimensions



ORDERING INFORMATION

Example: LM07.104034.US.05.SS.BP. Accessories / Power Supplies ordered separately.

LM07.104034.US . . .

Model No.	Finish	Optic	CCT
LM07.104034.US	05 - Stainless 59 - Bronze	SS - ≤8° SP - 10-15° MD - 20-35° FL - 40-55° HE - Horizontal Elliptical	BC - 2700K BP - 3000K BF - 4000K

Job Name/Date:

Fixture Type Designation:

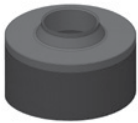
SUGGESTED POWER SUPPLIES

24VDC

Part Number	Description	Input/Output	# of Fixtures
PPLT00149	Non-Dim	120VAC to 24VDC, 10W, Class 2, IP65	1-3
PPLT00632	0-10V Dimming (Dim to Off)	120-277VAC to 24VDC, 12W, Class 2	1-4
PPLT00056	Non-Dim	120V-277AC to 24VDC, 26W, Class 2, IP66	1-9
PPLT00158	Non-Dim	120VAC to 24VDC, 100W, Class 2	1-36
PPLT00543	0-10V Dimming to 15% (-40°C / -40°F cold weather start)	120-277VAC to 24VDC, 100W, Class 2	5-36

For other power supply options consult factory.

ACCESSORIES - Installation



LM20.104128

Outer Casing IP20
Size $\varnothing 3.54" \times 3.35" h$
Hole $\varnothing 1.26"$

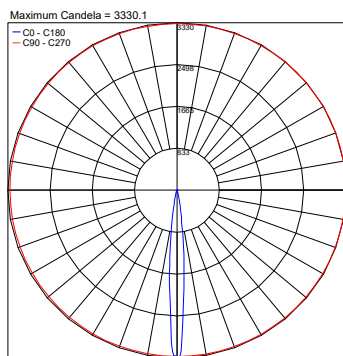


LM20.104290

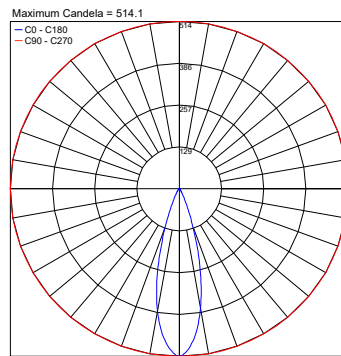
Spring for installing on wall or ceiling in plasterboard.

PHOTOMETRIC DATA

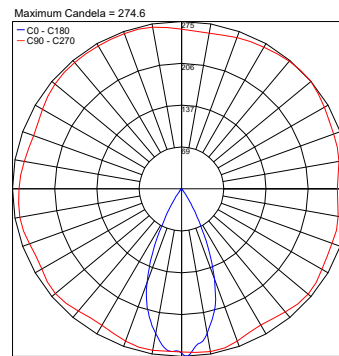
Note: All photometric data is 3000K



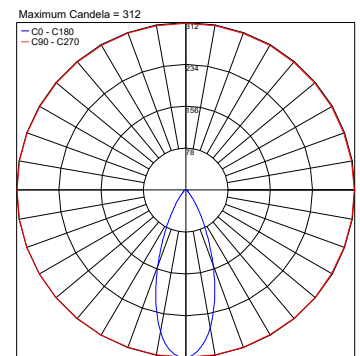
PHOTOMETRIC FILENAME : GEM PRO 1 SP 07.104034.XX.SP.BPJES



PHOTOMETRIC FILENAME : GEM PRO 1 MD 07.104034.XX.MD.BPJES



PHOTOMETRIC FILENAME : GEM PRO 1 FL 07.104034.XX.FL.BPJES



PHOTOMETRIC FILENAME : GEM PRO 1 HE 07.104034.XX.HE.BPJES

Job Name/Date:

Fixture Type Designation: