

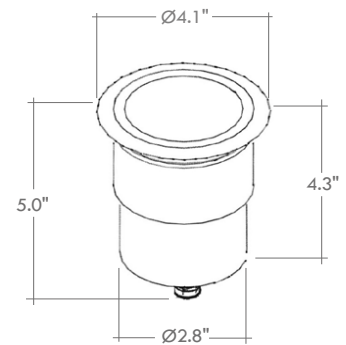
Gem Pro is a round, IP67-rated, recessed fixture with frame, suitable for installation in floors or walls, made to ensure durability and maximum resistance against atmospheric agents. Gem Pro 3 is the Ø4.1" version with 12.2W, 3 color temperatures and 4 optics options.



TECHNICAL DATA

Wattage / Input	12.2W
Power Supply	Remote 350mA, not included. See page 2.
Construction	Body: Anticorodal Aluminum, Stainless Steel on request. Front Ring Nut: AISI 316L Stainless Steel Lens: PMMA (Acrylic) Diffuser: Extra Clear Glass Cable Length: 1.64'
CCT	2700K, 3000K, 4000K
BUG Rating	B0-U4-G0 (3000K, 12°, 25°) B0-U5-G0 (3000K, 40°) B0-U5-G1 (3000K, Wall Washer)
Delivered Lumens	2066 lm (3000K)
Efficacy	169.3 lm/W (3000K)
Optics	4 Standard, See Below
Finishes	Stainless or Bronze
Fixture Dimensions	Ø 4.13" x 5.00" h
Cutout Dimensions	Ø2.87"
Color Consistency	<3-Step MacAdam
IP Rating	IP67
Driveover Capacity	Up to 3307 lbs

Fixture Dimensions



ORDERING INFORMATION

Example: LM07.104032.US.05.MD.BP. Accessories / Power Supplies ordered separately.

LM07.104032.US
Model No.	Finish	Optic	CCT	
LM07.104032.US	05 - Stainless 59 - Bronze	SP - 12° MD - 25° FL - 40° WW - Wall Washer	BC - 2700K BP - 3000K BF - 4000K	

Job Name/Date:

Fixture Type Designation:

SUGGESTED POWER SUPPLIES

350mA

Part Number	Description	Input/Output	# of Fixtures
PPLT00468	Phase Dim (120V only)	120VAC to 350mA, 14W, Class 2	1-1
PPLT00495	Phase Dim (120V only)	120VAC to 350mA, 25W, Class 2, IP66	1-2
PPLT00263	Leading/Trailing Edge Dimming to 10% (120V only)	120-277VAC to 350mA, 32W, Class 2	1-1
PPLT00467-P	0-10V Dimming to 1.0%	120-277VAC to 350mA, 50W, Class 2, DAMP	1-1
PPLT00538-P	0-10V Dimming to 0.1% (4 Channels)	120-277VAC to 350mA, 100W, Class 2	1-4

Suggested Lutron Compatible

Part Number	Option	Lutron SKU	Dim Range	Description	Input/Output	# of Fixtures
PPLT00460	L3DAE / L3DA3W	L3DA	100%-1%	Hi-Lume™ 1% EcoSystem™ OR 1% 3-Wire LED Driver	120-277VAC to 350mA, 13W, Class 2	1-1
PPLT00516	L3DAE / L3DA3W	L3DA	100%-1%	Hi-Lume™ 1% EcoSystem™ OR 1% 3-Wire LED Driver	120-277VAC to 350mA, 13W, Class 2	1-1
PPLT00562	L3DAE / L3DA3W	L3DA	100%-1%	Hi-Lume™ 1% EcoSystem™ OR 1% 3-Wire LED Driver	120-277VAC to 350mA, 17.5W, Class 2	1-1
PPLT00179	L3DAE / L3DA3W	L3DA	100%-1%	Hi-Lume™ 1% EcoSystem™ OR 1% 3-Wire LED Driver	120-277VAC to 350mA, 19W, Class 2	1-1
PPLT00458	L3DAE / L3DA3W	L3DA	100%-1%	Hi-Lume™ 1% EcoSystem™ OR 1% 3-Wire LED Driver	120-277VAC to 350mA, 19W, Class 2	1-1

For other power supply options consult factory.

ACCESSORIES - Installation



LM20.104130

Outer Casing IP20

Sizes Ø4.33" x 6.30" h

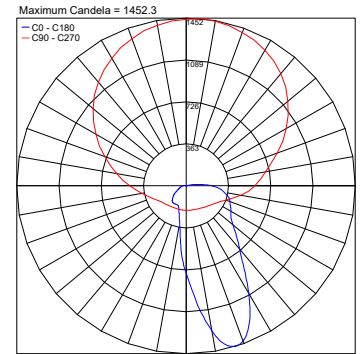
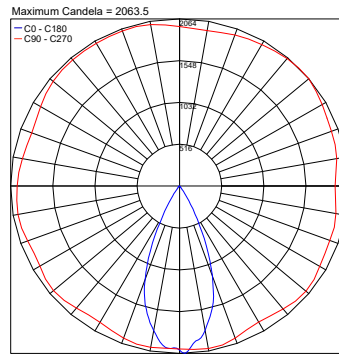
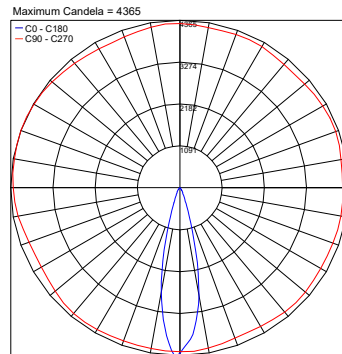
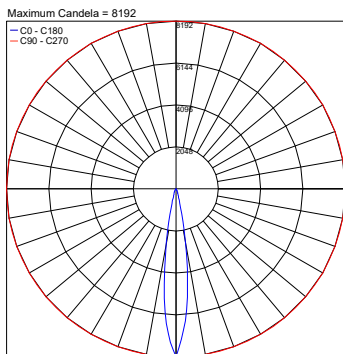
Hole Ø2.87"

Job Name/Date:

Fixture Type Designation:

PHOTOMETRIC DATA

Note: All photometric data is 3000K



Job Name/Date:

Fixture Type Designation: