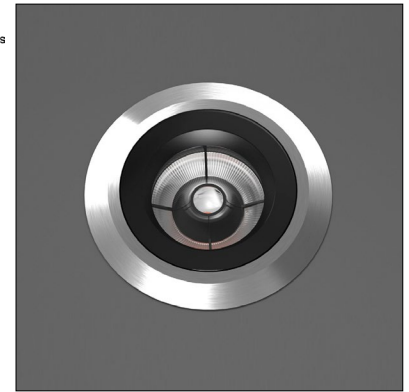


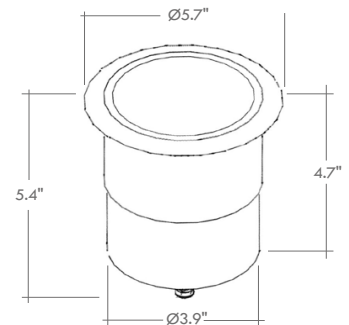
Gem Pro is a round, IP67-rated, recessed fixture with frame, suitable for installation in floors or walls, made to ensure durability and maximum resistance against atmospheric agents. Gem Pro 4 is the Ø5.7" version with 19W, 3 color temperatures and 4 optics options.



TECHNICAL DATA

| | |
|---------------------------|---|
| Wattage / Input | 19W (24VDC) |
| Power Supply | Remote, not included. See page 2. |
| Construction | Body: Anticorodal Aluminum, Stainless Steel on request. Front Ring Nut: AISI 316L Stainless Steel Lens: PMMA (Acrylic) Diffuser: Extra Clear Glass Cable Length: 1.64' |
| CCT | 2700K, 3000K, 4000K |
| BUG Rating | B0-U5-G0 (3000K) B0-U5-G1 (3000K, Wall Washer) |
| Delivered Lumens | 2802 lm (3000K) |
| Efficacy | 147.5 lm/W (3000K) |
| Optics | 4 Standard, See Below |
| Finishes | Stainless or Bronze |
| Fixture Dimensions | Ø5.71" x 5.39" h |
| Cutout Dimensions | Ø3.98" |
| Color Consistency | <3-Step MacAdam |
| IP Rating | IP67 |
| Driveover Capacity | Up to 3307 lbs |

Fixture Dimensions



ORDERING INFORMATION

Example: LM07.104031.US.05.MD.BP. Accessories / Power Supplies ordered separately.

| | | | |
|------------------|-------------------------------|--|--|
| LM07.104031.US | . | . | . |
| Model No. | Finish | Optic | CCT |
| LM07.104031.US | 05 - Stainless 59 - Bronze | SP - 12° MD - 25° FL - 40° WW - Wall Washer | BC - 2700K BP - 3000K BF - 4000K |

Job Name/Date:

Fixture Type Designation:

SUGGESTED POWER SUPPLIES

24VDC

| Part Number | Description | Input/Output | # of Fixtures |
|---------------------------|---|------------------------------------|---------------|
| PPLT00155 | Non-Dim | 120VAC to 24VDC, 30W, Class 2 | 1-1 |
| PPLT00158 | Non-Dim | 120VAC to 24VDC, 100W, Class 2 | 1-3 |
| PPLT00543 | 0-10V Dimming to 15% (-40°C / -40°F cold weather start) | 120-277VAC to 24VDC, 100W, Class 2 | 1-3 |

For other power supply options consult factory.

ACCESSORIES - Installation



LM20.104131

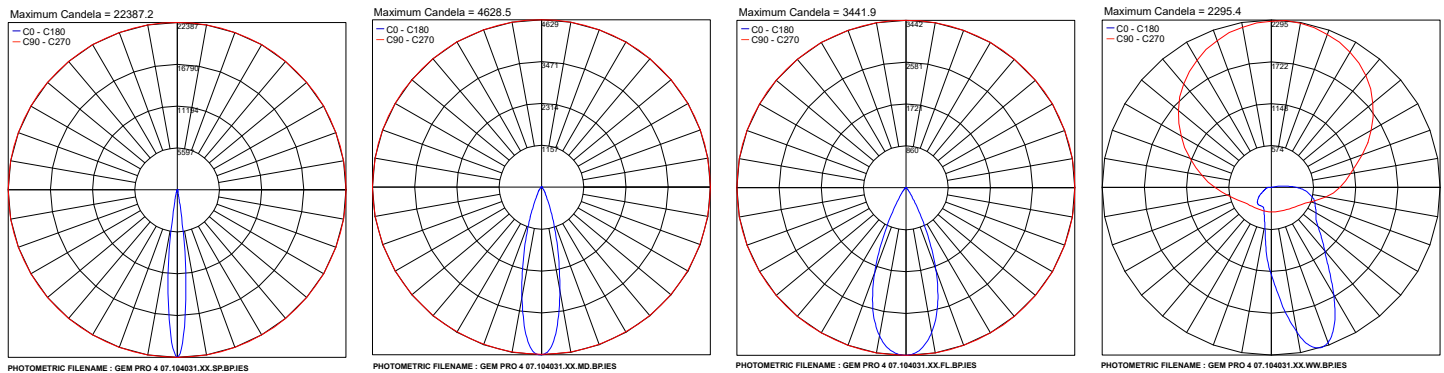
Outer Casing IP20

Sizes $\varnothing 4.92'' \times 6.30'' h$

Hole $\varnothing 3.98''$

PHOTOMETRIC DATA

Note: All photometric data is 3000K



Job Name/Date:

Fixture Type Designation: