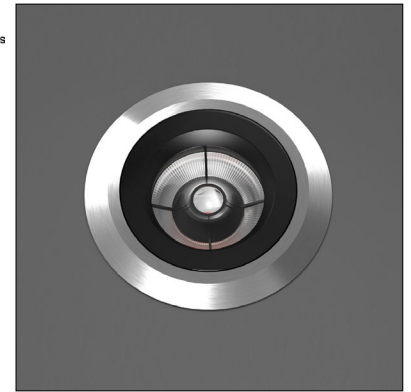


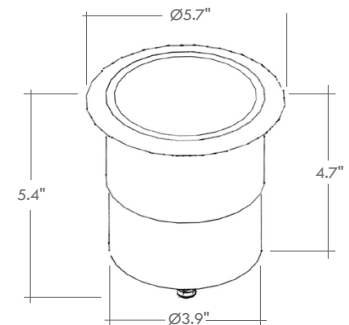
Gem Pro is a round, IP67-rated, recessed fixture with frame, suitable for installation in floors or walls, made to ensure durability and maximum resistance against atmospheric agents. Gem Pro 4 is the Ø5.7" version with 19W, 3 color temperatures and 4 optics options.

## TECHNICAL DATA

<b>Wattage / Input</b>	19W (500mA)
<b>Power Supply</b>	Remote, not included. See page 2.
<b>Construction</b>	Body: Anticorodal Aluminum, Stainless Steel on request. Front Ring Nut: AISI 316L Stainless Steel Lens: PMMA (Acrylic) Diffuser: Extra Clear Glass Cable Length: 1.64'
<b>CCT</b>	2700K, 3000K, 4000K
<b>BUG Rating</b>	B0-U5-G0 (3000K) B0-U5-G1 (3000K, Wall Washer)
<b>Delivered Lumens</b>	2802 lm (3000K)
<b>Efficacy</b>	147.5 lm/W (3000K)
<b>Optics</b>	4 Standard, See Below
<b>Finishes</b>	Stainless or Bronze
<b>Fixture Dimensions</b>	Ø5.71" x 5.39" h
<b>Cutout Dimensions</b>	Ø3.98"
<b>Color Consistency</b>	<3-Step MacAdam
<b>IP Rating</b>	IP67
<b>Driveover Capacity</b>	Up to 3307 lbs



Fixture Dimensions



## ORDERING INFORMATION

Example: LM07.104031.US.05.MD.BP. Accessories / Power Supplies ordered separately.

LM07.104031.US	.	.	.
Model No.	Finish	Optic	CCT
LM07.104031.US	05 - Stainless 59 - Bronze	SP - 12° MD - 25° FL - 40° WW - Wall Washer	BC - 2700K BP - 3000K BF - 4000K

Job Name/Date:

Fixture Type Designation:

## SUGGESTED POWER SUPPLIES

500mA

Part Number	Description	Input/Output	# of Fixtures
<a href="#">PPLT00527</a>	Phase Dim (120V only)	120VAC to 500mA, 25W, Class 2, IP66	1-1
<a href="#">PPLT00262</a>	Leading/Trailing Edge Dimming to 10% (120V only)	120-277VAC to 500mA, 32W, Class 2	1-1
<a href="#">PPLT00467-P</a>	0-10V Dimming to 1.0%	120-277VAC to 500mA, 50W, Class 2, DAMP	1-1
<a href="#">PPLT00538-P</a>	0-10V Dimming to 0.1% (4 Channels)	120-277VAC to 500mA, 100W, Class 2	1-4

## Suggested Lutron Compatible

Part Number	Option	Lutron SKU	Dim Range	Description	Input/Output	# of Fixtures
<a href="#">PPLT00180</a>	L3DAE / L3DA3W	L3DA	100%-1%	Hi-Lume™ 1% EcoSystem™ OR 1% 3-Wire LED Driver	120-277VAC to 500mA, 27W, Class 2	1-1

For other power supply options consult factory.

## ACCESSORIES - Installation



### LM20.104131

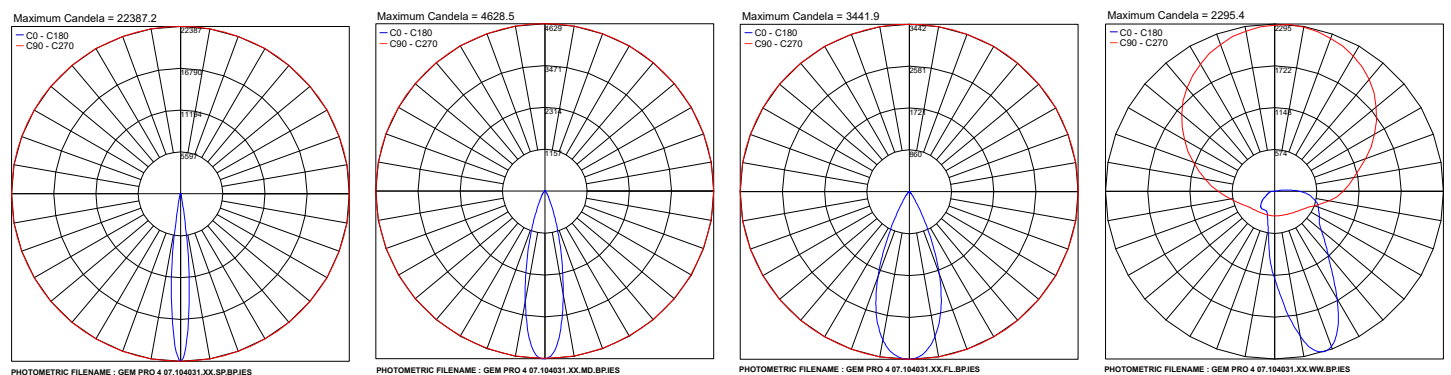
Outer Casing IP20

Sizes Ø4.92" x 6.30" h

Hole Ø3.98"

## PHOTOMETRIC DATA

Note: All photometric data is 3000K



Job Name/Date:

Fixture Type Designation: