

LYRAS 80 - CEILING

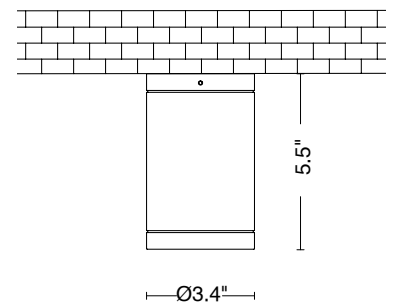
LYRAS 80 CEILING is a single beam cylinder luminaire that can be either ceiling- or wall-mounted and is perfect for installation in areas with extreme weather conditions, thanks to its A4 stainless steel components and protection gaskets. It is available with spot, medium or wide flood optics, and 2 standard finishes.



TECHNICAL DATA

Wattage	6.4W
Power Supply	Integral 120-277VAC
Construction	Body: Die-Cast Aluminum Lens: Extra-clear Tempered Glass 0.31" (8 mm)
CCT	2700K, 3000K, 4000K
BUG Rating	B1-U0-G0 (14°, 32°, 54°)
CRI	>90
Delivered Lumens	400 lm (14°, 3000K) 384 lm (32°, 3000K) 384 lm (54°, 3000K)
Efficacy	62.5 lm/W (14°, 3000K) 61 lm/W (32°, 3000K) 61 lm/W (54°, 3000K)
Optics	14°, 32°, 54°
Finishes	Graphite, Gray
Fixture Dimensions	Ø3.4" x 4.3"
Lumen Maintenance	L80, B15 >60,000hrs (Ta 40°C)
Color Consistency	3-Step MacAdam
IP Rating	IP66
Impact Resistance	IK08

Fixture Dimensions



ORDERING INFORMATION

Example: LNL50SOFSHBAZH.US.

LNL50SOF			BAZ		US
Model No.	Optics	CCT	BAZ	Finish	US
LNL50SOF	S - 14° Spot M - 32° Medium W - 54° Wide Flood	Y - 2700K H - 3000K N - 4000K	BAZ	L - Graphite H - Gray	US

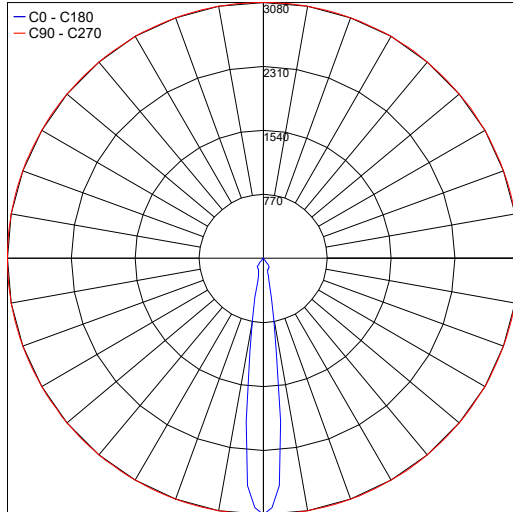
Job Name/Date:

Fixture Type Designation:

PHOTOMETRIC DATA

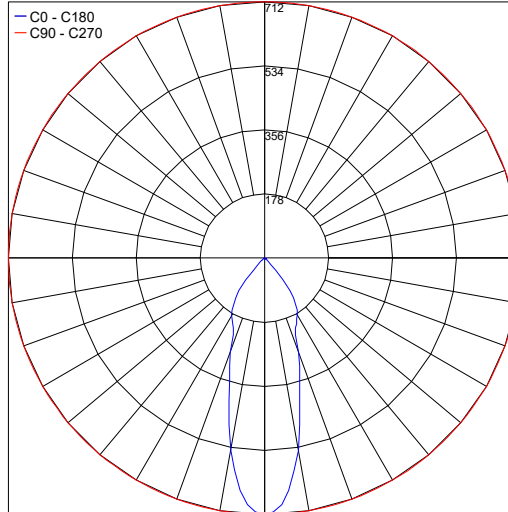
Note: All photometric data is 3000K

Maximum Candela = 3080.3



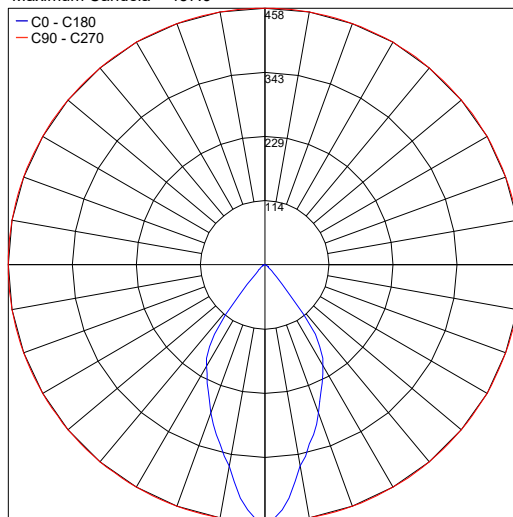
PHOTOMETRIC FILENAME : LYRAS 80 30K 14° - LY50PARSHB10X.IES

Maximum Candela = 711.9



PHOTOMETRIC FILENAME : LYRAS 80 30K 32° - LY50PARMB10X.IES

Maximum Candela = 457.6



PHOTOMETRIC FILENAME : LYRAS 80 30K 54° - LY50PARWHB10X.IES

Job Name/Date:

Fixture Type Designation: