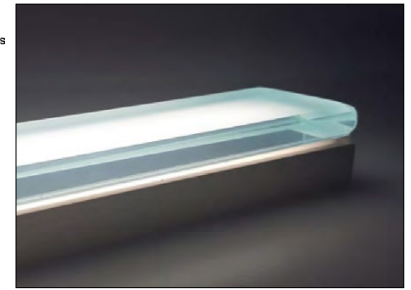


LINE STRONG 1 / 2



datasheet

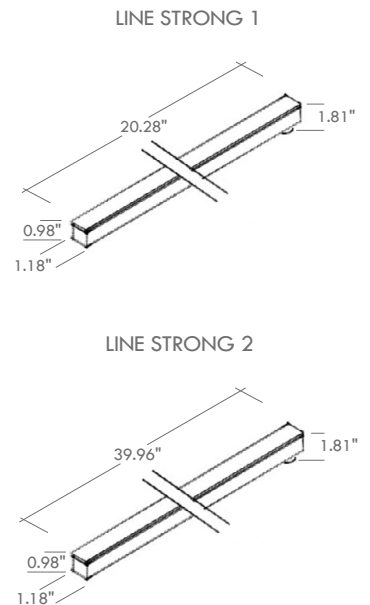
Line Strong is a linear in-grade LED luminaire designed for flush installation on floors and walls in both indoor and outdoor areas. It is available in 2 different lengths and can be made into continuous runs. Static white color temperatures are standard, with RGBW and tunable white on request.



TECHNICAL DATA

Wattage / Input	5.4W (Line Strong 1) 10.8W (Line Strong 2)
Power Supply	Remote, not included. Consult Factory.
Construction	Body: Anticorodal Aluminum (<i>Anodizing Treatment</i>) <i>Stainless Steel on Request</i> Lens: Tempered, Sanded Glass Cable Length: 1.64'
CCT	2700K, 3000K, 4000K <i>RGBW, Tunable White on request</i>
BUG Rating	B0-U1-G0 (Line Strong 1) B1-U1-G0 (Line Strong 2)
Delivered Lumens	840 lm (3000K - Line Strong 1) 1680 lm (3000K - Line Strong 2)
Efficacy	155.6 lm/W (3000K)
Optics	Diffuse
Finishes	2 Available, See Below
Fixture Dimensions	20.28" x 1.18" x 0.98" h (Line Strong 1) 39.96" x 1.18" x 0.98" h (Line Strong 2)
Color Consistency	<3-Step MacAdam
IP Rating	IP67
Impact Resistance	IK10

Fixture Dimensions



ORDERING INFORMATION

Example: LM06.104122.US.60.DI.BP.10. Accessories / Power Supplies ordered separately.

		DI		10
Model No.	Finish	Optic	CCT	LED Power
LM06.104122.US (Line Strong 1)	60- Sandblasted Glass	DI - Diffuse	BC - 2700K	10 - 10.8W/ft
LM06.104123.US (Line Strong 2)	A1 - Anti-Slip Glass		BP - 3000K	
			BF - 4000K	

Job Name/Date:

Fixture Type Designation:

SUGGESTED POWER SUPPLIES

Consult Factory

ACCESSORIES - Installation



LM20.101250.US
Line Strong 1 Case
L20.28" x 2.81" x
1.36" H2.76"



LM20.101251.US
Line Strong 2 Case
L39.96" x 2.81" x
1.36" H2.76"



LM20.101069.US
Closing End Caps



LM20.101068.US
Joints for Continuous
Line



LM20.101086.US - Line Strong 1
Lower Closing End Cap
LM20.101087.US - Line Strong 2



LM20.104464.US
Lighting Source
Extraction Kit

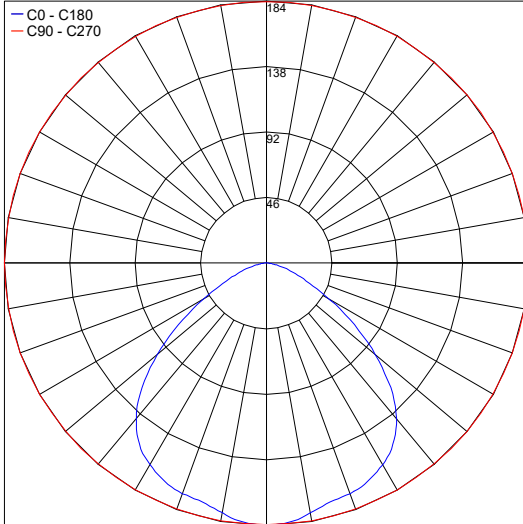
Job Name/Date:

Fixture Type Designation:

PHOTOMETRIC DATA

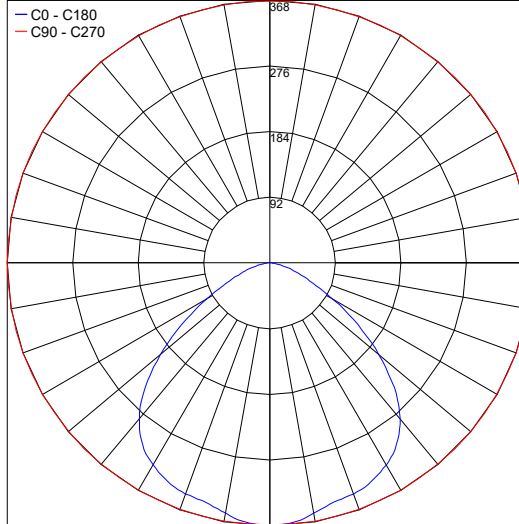
Note: All photometric data is 3000K

Maximum Candela = 184



PHOTOMETRIC FILENAME : LINE STRONG 1 06.104122.60.DI.XX L515.IES

Maximum Candela = 368.3



PHOTOMETRIC FILENAME : LINE STRONG 2 06.104123.60.DI.XX L1015.IES

Job Name/Date:

Fixture Type Designation: