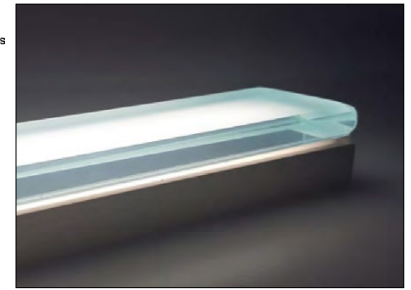


# LINE STRONG 1 / 2

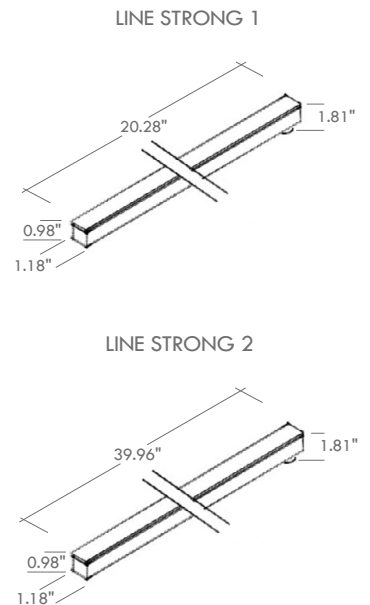
Line Strong is a linear in-grade LED luminaire designed for flush installation on floors and walls in both indoor and outdoor areas. It is available in 2 different lengths and can be made into continuous runs. Static white color temperatures are standard, with RGBW and tunable white on request.



## TECHNICAL DATA

|                           |                                                                                                                                                       |
|---------------------------|-------------------------------------------------------------------------------------------------------------------------------------------------------|
| <b>Wattage / Input</b>    | 5.4W (Line Strong 1)<br>10.8W (Line Strong 2)                                                                                                         |
| <b>Power Supply</b>       | Remote, not included. Consult Factory.                                                                                                                |
| <b>Construction</b>       | Body: Anticorodal Aluminum ( <i>Anodizing Treatment</i> )<br><i>Stainless Steel on Request</i><br>Lens: Tempered, Sanded Glass<br>Cable Length: 1.64' |
| <b>CCT</b>                | 2700K, 3000K, 4000K<br><i>RGBW, Tunable White on request</i>                                                                                          |
| <b>BUG Rating</b>         | B0-U1-G0 (Line Strong 1)<br>B1-U1-G0 (Line Strong 2)                                                                                                  |
| <b>Delivered Lumens</b>   | 840 lm (3000K - Line Strong 1)<br>1680 lm (3000K - Line Strong 2)                                                                                     |
| <b>Efficacy</b>           | 155.6 lm/W (3000K)                                                                                                                                    |
| <b>Optics</b>             | Diffuse                                                                                                                                               |
| <b>Finishes</b>           | 2 Available, See Below                                                                                                                                |
| <b>Fixture Dimensions</b> | 20.28" x 1.18" x 0.98" h (Line Strong 1)<br>39.96" x 1.18" x 0.98" h (Line Strong 2)                                                                  |
| <b>Color Consistency</b>  | <3-Step MacAdam                                                                                                                                       |
| <b>IP Rating</b>          | IP67                                                                                                                                                  |
| <b>Impact Resistance</b>  | IK10                                                                                                                                                  |

Fixture Dimensions



## ORDERING INFORMATION

Example: LM06.104122.US.60.DI.BP.10. Accessories / Power Supplies ordered separately.

|                                |                       | DI           |            | 10            |
|--------------------------------|-----------------------|--------------|------------|---------------|
| Model No.                      | Finish                | Optic        | CCT        | LED Power     |
| LM06.104122.US (Line Strong 1) | 60- Sandblasted Glass | DI - Diffuse | BC - 2700K | 10 - 10.8W/ft |
| LM06.104123.US (Line Strong 2) | A1 - Anti-Slip Glass  |              | BP - 3000K |               |
|                                |                       |              | BF - 4000K |               |

Job Name/Date:

Fixture Type Designation:

## SUGGESTED POWER SUPPLIES

*Consult Factory*

## ACCESSORIES - Installation



**LM20.101250.US**  
Line Strong 1 Case  
L20.28" x 2.81" x  
1.36" H2.76"



**LM20.101251.US**  
Line Strong 2 Case  
L39.96" x 2.81" x  
1.36" H2.76"



**LM20.101069.US**  
Closing End Caps



**LM20.101068.US**  
Joints for Continuous  
Line



**LM20.101086.US** - Line Strong 1  
Lower Closing End Cap  
**LM20.101087.US** - Line Strong 2



**LM20.104464.US**  
Lighting Source  
Extraction Kit

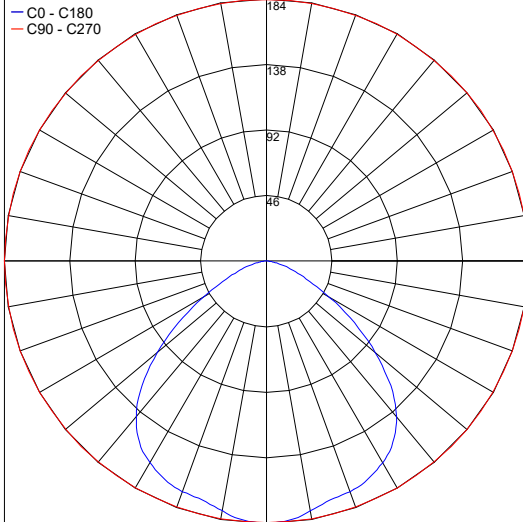
*Job Name/Date:*

*Fixture Type Designation:*

## PHOTOMETRIC DATA

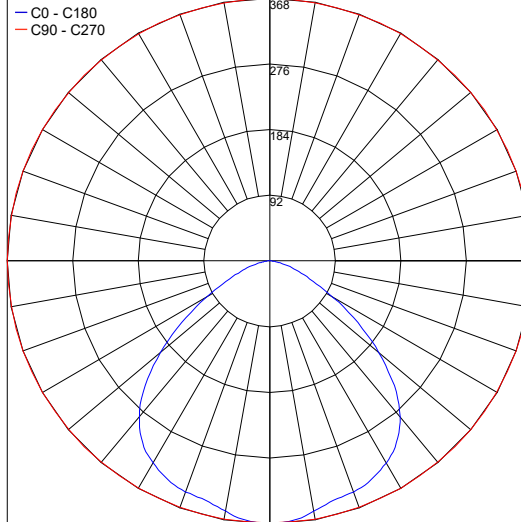
Note: All photometric data is 3000K

Maximum Candela = 184



PHOTOMETRIC FILENAME : LINE STRONG 1 06.104122.60.DI.XX L515.IES

Maximum Candela = 368.3



PHOTOMETRIC FILENAME : LINE STRONG 2 06.104123.60.DI.XX L1015.IES

Job Name/Date:

Fixture Type Designation: