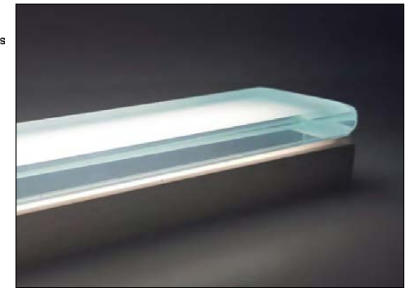


# LINE STRONG 1 / 2

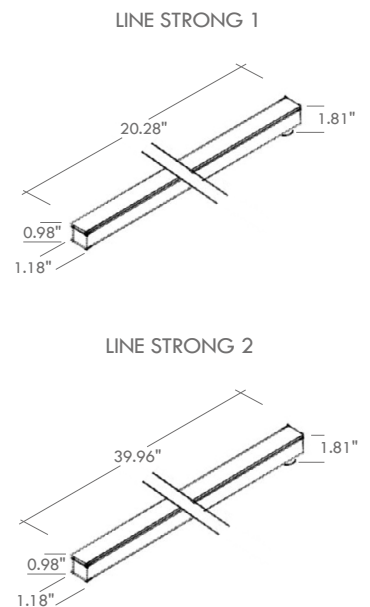
Line Strong is a linear in-grade LED luminaire designed for flush installation on floors and walls in both indoor and outdoor areas. It is available in 2 different lengths and can be made into continuous runs. Static white color temperatures are standard, with RGBW and tunable white on request.



## TECHNICAL DATA

<b>Wattage / Input</b>	5.4W (Line Strong 1) 10.8W (Line Strong 2)
<b>Power Supply</b>	Remote, not included. Consult Factory.
<b>Construction</b>	Body: Anticorodal Aluminum ( <i>Anodizing Treatment</i> ) <i>Stainless Steel on Request</i> Lens: Tempered, Sanded Glass Cable Length: 1.64'
<b>CCT</b>	2700K, 3000K, 4000K <i>RGBW, Tunable White on request</i>
<b>BUG Rating</b>	B0-U1-G0 (Line Strong 1) B1-U1-G0 (Line Strong 2)
<b>Delivered Lumens</b>	840 lm (3000K - Line Strong 1) 1680 lm (3000K - Line Strong 2)
<b>Efficacy</b>	155.6 lm/W (3000K)
<b>Optics</b>	Diffuse
<b>Finishes</b>	2 Available, See Below
<b>Fixture Dimensions</b>	20.28" x 1.18" x 0.98" h (Line Strong 1) 39.96" x 1.18" x 0.98" h (Line Strong 2)
<b>Color Consistency</b>	<3-Step MacAdam
<b>IP Rating</b>	IP67
<b>Impact Resistance</b>	IK10

## Fixture Dimensions



## ORDERING INFORMATION

Example: LM06.104122.US.60.DI.BP.10. Accessories / Power Supplies ordered separately.

		DI		10
<b>Model No.</b>	<b>Finish</b>	<b>Optic</b>	<b>CCT</b>	<b>LED Power</b>
LM06.104122.US (Line Strong 1)	60- Sandblasted Glass	DI - Diffuse	BC - 2700K	10 - 10.8W/ft
LM06.104123.US (Line Strong 2)	A1 - Anti-Slip Glass		BP - 3000K	
			BF - 4000K	

Job Name/Date:

Fixture Type Designation:

## SUGGESTED POWER SUPPLIES

Consult Factory

## ACCESSORIES - Installation



**LM20.101250.US** - REQUIRED  
Line Strong 1 Outer Case  
L 20.3" x 2.8" x 1.4" H 2.8"



**LM20.101251.US** - REQUIRED  
Line Strong 2 Outer Case  
L 40.0" x 2.8" x 1.4" H 2.8"



**LM20.101069.US**  
Closing End Caps  
(Set of 2)



**LM20.101068.US**  
Joints for Continuous Line  
(Set of 2)



**LM20.101086.US** - Line Strong 1  
**LM20.101087.US** - Line Strong 2  
Lower Closing End Cap  
REQUIRED for Concrete Pour Installation



**LM20.104464.US**  
Extraction Kit - REQUIRED

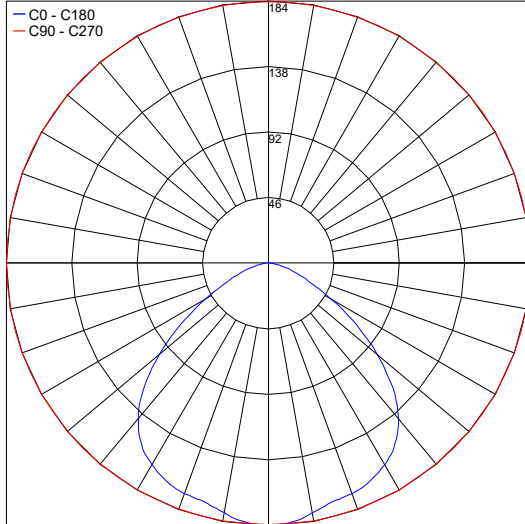
Job Name/Date:

Fixture Type Designation:

## PHOTOMETRIC DATA

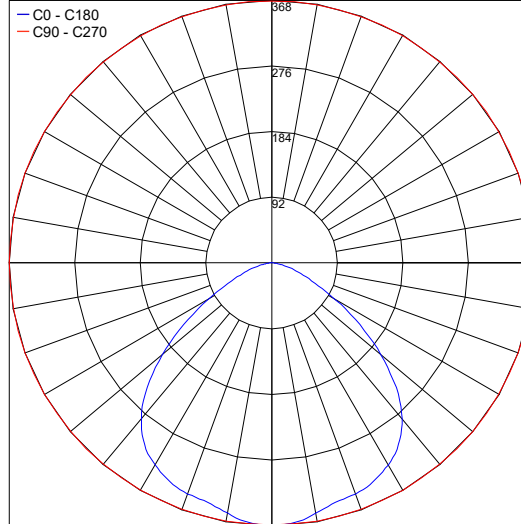
Note: All photometric data is 3000K

Maximum Candela = 184



PHOTOMETRIC FILENAME : LINE STRONG 1 06.104122.60.DI.XX L515.IES

Maximum Candela = 368.3



PHOTOMETRIC FILENAME : LINE STRONG 2 06.104123.60.DI.XX L1015.IES

Job Name/Date:

Fixture Type Designation: