

ALTOPIANO 1.1

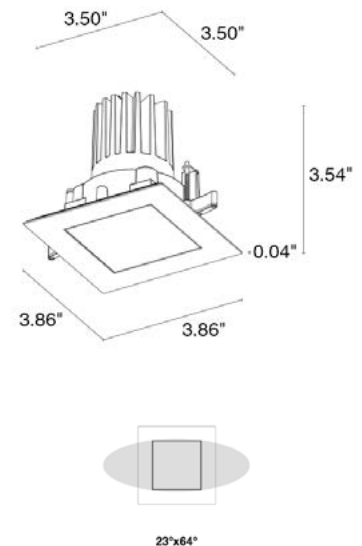
Altopiano is a family of compact, recessed outdoor downlights available in 3 sizes, round or square, suitable for hospitality and residential sectors, as well as steam rooms, NOT saunas.. Available in static white, RGBW mixing or Dim to Warm. Altopiano 1.1 is the 3.9" square, static white version. UGR < 19 for 19°, 25° and 37° optics.

TECHNICAL DATA

Wattage / Input	8W (350mA)
Power Supply	Remote, not included. See page 2.
Construction	Body: Thermally Conductive Technopolymer Trim: Stainless Steel Lens: Diffuse or Extra-clear Glass Cable Length: 1.64' standard
Ceiling Thickness	Works with ceilings 1/8" to 1" thick. For ceilings 3/64" to 5/64" thick, use spring clips.
CCT	2200K, 2700K, 3000K, 4000K
CRI	80, >90 (2200K only available >90)
Delivered Lumens	498 lm (3000K, 25°, CRI >90) 588 lm (3000K, 25°, CRI 80)
Efficacy	62.3 lm/W (3000K, 25°, CRI >90) 73.5 lm/W (3000K, 25°, CRI 80)
Optics	6 Standard (see below)
Finishes	5 Standard, Custom RAL on request
Fixture Dimensions	3.86" x 3.86" x 3.54" h
Cut-out Size	3.54" x 3.54"
Fixture Weight	1.32 lbs
UGR	< 19 for 19°, 25° and 37° optics
Lumen Maintenance	60,000 hrs L90, B10 (Ta 25°C)
Color Consistency	2-Step MacAdam
Operating Temp.	-4°F to +113°F
IP Rating	IP66
IK Rating	IK10



Fixture Dimensions



ORDERING INFORMATION

Example: AP1110100150KF. Accessories / Power Supplies ordered separately.

AP1110		0				
Model #	CRI	Control System	Accessories	CCT	Optics	Finish
AP1110	0 - CRI 80 (not available on 2200K) 1 - CRI >90	0 - See Drivers on page 2	00 - None 01 - Honeycomb 02 - Anti-Glare <i>Honeycomb Louvre and Anti-glare Shield not available on 0D (Diffuse) or 0W (23°x64°)</i>	N - 2200K <i>(CRI>90 only)</i> F - 2700K 5 - 3000K 9 - 4000K	0S - 19° 0M - 25° 0L - 37° 0K - 50° 0W - 23° x 64° 0D - Diffuse	H - Anthracite T - Cor-ten F - Gray E - White 7 - Primer C - Custom RAL <i>(consult factory for "C")</i>

Job Name/Date:

Fixture Type Designation:

SUGGESTED POWER SUPPLIES

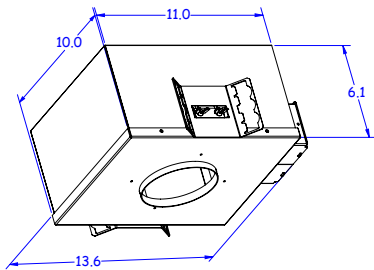
350mA

Part Number	Description	Input/Output	# of Fixtures
PPLT00211	Non-Dim	120VAC to 350mA, 10W, Class 2	1-1
PPLT00496	Phase Dim (120V only)	120VAC to 350mA, 12W, Class 2, DAMP	1-1
PPLT00465-P	0-10V Dimming to 1.0%	120-277VAC to 350mA, 20W, Class 2, DAMP	1-2
PPLT00263	Leading / Trailing Edge Dimmable to 10% (120V only)	120-277VAC to 350mA, 32W, Class 2	2-2
PPLT00467-P	0-10V Dimming to 1.0%	120-277VAC to 350mA, 50W, Class 2, DAMP	1-3
PPLT00538-P	0-10V Dimming to 0.1%	120-277VAC to 350mA, 100W, Class 2	1-12

For other power supply options consult factory.

ACCESSORIES

Installation



WCA22-DP

IC / JA8 Housing

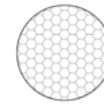


WGA02

Retaining Spring Clip
Use for ceilings 1/8" min. to 3/8" max. thick

ACCESSORIES

Anti-Glare



Honeycomb Louvre

Built into the fixture
The honeycomb louvre can be provided on all fixed optics except for diffuse and elliptical optics



Anti-glare Shield

Built into the fixture
The anti-glare shield can be provided on all fixed optics except for diffuse and elliptical optics

Various



WNAP10A0
Anti-Fall Kit

PHOTOMETRIC DATA

See IES Files

Job Name/Date:

Fixture Type Designation: