

ALTOPIANO 1.2

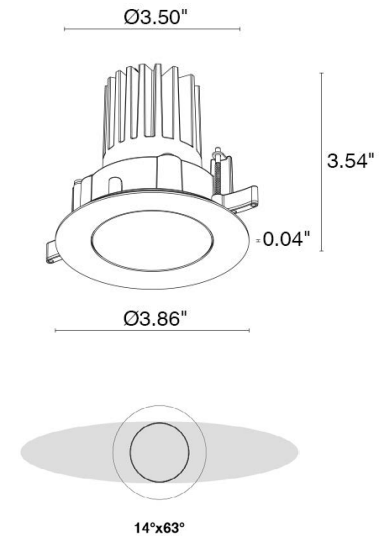
Altopiano is a family of compact, recessed outdoor downlights available in 3 sizes, round or square, suitable for hospitality and residential sectors, as well as steam rooms, NOT saunas. Available in static white, RGBW mixing or Dim to Warm. Altopiano 1.2 is the 3.9" round, RGBW version. PWM controller by others.



TECHNICAL DATA

Wattage / Input	8W (24VDC)
Power Supply	Remote, not included. Consult factory.
Construction	Body: Thermally Conductive Technopolymer Trim: Stainless Steel Lens: Diffuse or Extra-clear Glass Cable Length: 1.64' standard
Ceiling Thickness	Works with ceilings 1/8" to 3/4" thick For ceilings 3/64" to 1 3/8" thick, use spring clips
CCT	RGBW
CRI	—
Delivered Lumens	310 lm: (R) 48 lm, (G) 117 lm, (B) 16 lm, (W) 129 lm (3000K, 24°)
Efficacy	38.8 lm/W (3000K, 24°)
Optics	6 Standard (see below)
Finishes	5 Standard, Custom RAL on request (4 Stage Marine Grade Finish)
Fixture Dimensions	Ø3.86" x 3.54" h
Cut-out Size	Ø3.54"
Fixture Weight	1.32 lbs
LED Source	1 High Intensity Power LED
Lumen Maintenance	60,000 hrs L90, B10 (Ta 25°C)
Operating Temp.	-4°F to +113°F
IP Rating	IP66
IK Rating	IK08

Fixture Dimensions



ORDERING INFORMATION

Example: AP1200000170LF. Accessories / Power Supplies ordered separately.

AP1200	00		7		
Model #	Control System	Accessories	CCT	Optics	Finish
AP1200	00 - PWM (Controller by others)	00 - None 01 - Honeycomb <i>Honeycomb Louvre not available on 0D (Diffuse) or 0W (23°x64°)</i>	7 - RGBW	0S - 14° 0M - 24° 0L - 37° 0K - 44° 0W - 14° x 63° 0D - Diffuse	H - Anthracite T - Cor-ten F - Gray E - White 7 - Primer C - Custom RAL (consult factory for "C")

Job Name/Date:

Fixture Type Designation:

SUGGESTED POWER SUPPLIES

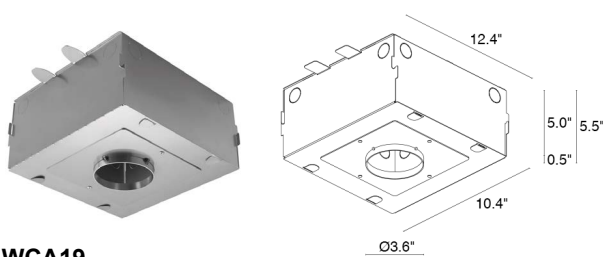
24VDC

Part Number	Description	Input/Output	# of Fixtures
PPLT00586	Non-Dim	120-277VAC to 24VDC, 40W, Class 2	1-4
PPLT00158	Non-Dim	120VAC to 24VDC, 100W, Class 2	1-10

For other power supply options consult factory.

ACCESSORIES

Installation



WCA19

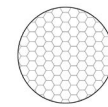
Outer Casing

For solid ceilings (concrete)

Consult factory for regular ceilings

ACCESSORIES

Anti-Glare



Honeycomb Louvre

Built into the fixture
The honeycomb louvre can be provided on all fixed optics except for diffuse and elliptical optics



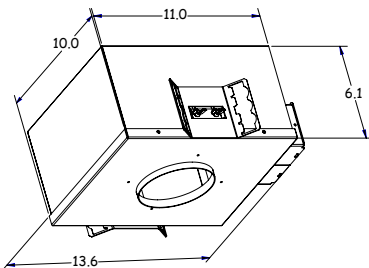
WGA02

Retaining Spring Clip

Use for ceilings 3/64"

min. to 1 3/8" max. thick

Various



WCA19-DP

IC / JA8 Housing



WNAP10A0

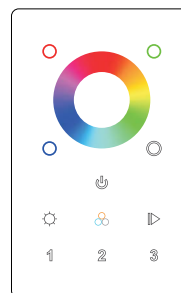
Anti-Fall Kit

PHOTOMETRIC DATA

See IES Files

ACCESSORIES

Controllers (RGBW)



[PPWD00570](#) - RGBW DMX512+Wifi Controller

Touch Sensitive

Can be controlled by WiFi

Controls 3 zones synchronously and separately

Job Name/Date:

Fixture Type Designation: