

ALTOPIANO 1.3

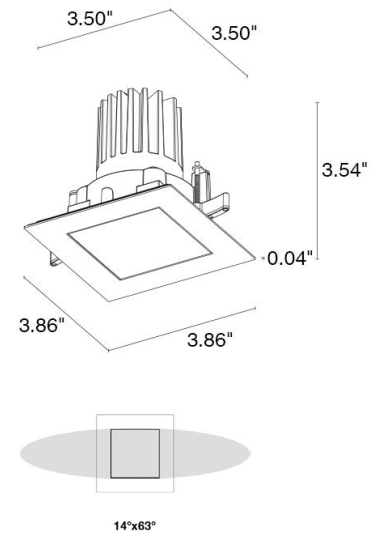
Altopiano is a family of compact, recessed outdoor downlights available in 3 sizes, round or square, suitable for hospitality and residential sectors, as well as steam rooms, NOT saunas. Available in static white, RGBW mixing or Dim to Warm. Altopiano 1.3 is the 3.9" square, RGBW version. PWM controller by others.



TECHNICAL DATA

Wattage / Input	8W (24VDC)
Power Supply	Remote, not included. Consult factory.
Construction	Body: Thermally Conductive Technopolymer Trim: Stainless Steel Lens: Diffuse or Extra-clear Glass Cable Length: 1.64' standard
Ceiling Thickness	Works with ceilings 1/8" to 1" thick. For ceilings 3/64" to 5/64" thick, use spring clips.
CCT	RGBW
CRI	—
Delivered Lumens	310 lm: (R) 48 lm, (G) 117 lm, (B) 16 lm, (W) 129 lm (3000K, 24°)
Efficacy	38.8 lm/W (3000K, 24°)
Optics	6 Standard (see below)
Finishes	5 Standard, Custom RAL on request
Fixture Dimensions	3.86" x 3.86" x 3.54" h
Cut-out Size	3.54" x 3.54"
Fixture Weight	1.32 lbs
LED Source	1 High Intensity Power LED
Lumen Maintenance	60,000 hrs L90, B10 (Ta 25°C)
Color Consistency	—
Operating Temp.	-4°F to +113°F
IP Rating	IP66
IK Rating	IK07

Fixture Dimensions



ORDERING INFORMATION

Example: AP1300100150KF. Accessories / Power Supplies ordered separately.

AP1300	00		7		
Model #	Control System	Accessories	CCT	Optics	Finish
AP1300	00 - PWM (Controller by others)	00 - None 01 - Honeycomb <i>Honeycomb Louvre not available on 0D (Diffuse) or 0W (23°x64°)</i>	7 - RGBW	0S - 14° 0M - 24° 0L - 37° 0K - 44° 0W - 14° x 63° 0D - Diffuse	H - Anthracite T - Cor-ten F - Gray E - White 7 - Primer C - Custom RAL <i>(consult factory for "C")</i>

Job Name/Date:

Fixture Type Designation:

SUGGESTED POWER SUPPLIES

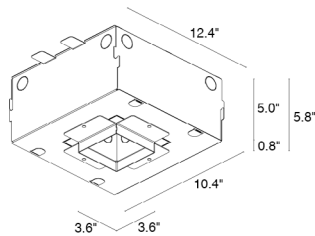
24VDC

Part Number	Description	Input/Output	# of Fixtures
PPLT00567	Non-Dim	120-277VAC to 24VDC, 36W, Class 2	1-3
PPLT00586	Non-Dim	120-277VAC to 24VDC, 40W, Class 2	1-4
PPLT00158	Non-Dim	120VAC to 24VDC, 100W, Class 2	1-10

For other power supply options consult factory.

ACCESSORIES

Installation



WCA22

Outer Casing
For solid ceilings (concrete)
Consult factory for regular ceilings

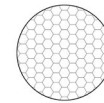


WGA02

Retaining Spring Clip
Use for ceilings 1/8"
min. to 3/8" max. thick

ACCESSORIES

Anti-Glare



Honeycomb Louvre

Built into the fixture
The honeycomb louvre can
be provided on all fixed optics
except for diffuse and elliptical
optics

Various



WNAP10A0 Anti-Fall Kit

PHOTOMETRIC DATA

See IES Files

Job Name/Date:

Fixture Type Designation: