

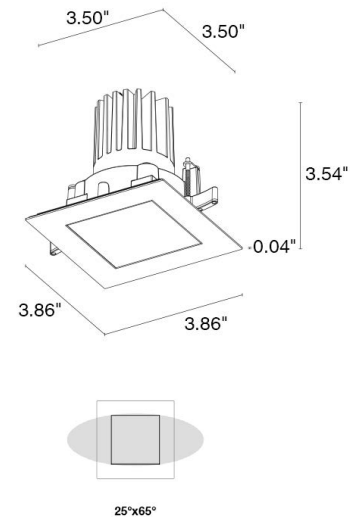
Altopiano is a family of compact, recessed outdoor downlights available in 3 sizes, round or square, perfectly suitable for hospitality and residential sectors, as well as steam rooms and natatoriums (up to 5ppm of chlorine), NOT saunas. Available in static white, as well as RGBW mixing and Dim to Warm. Altopiano 1.7 is the 3.9" square, Dim to Warm version.



TECHNICAL DATA

Wattage / Input	9W (350mA - General Use / 200mA - Steam Rooms)
Power Supply	Remote, not included. See page 2.
Construction	Body: Thermally Conductive Technopolymer Trim: Stainless Steel Lens: Diffuse or Extra-clear Glass Cable Length: 1.64' standard
Ceiling Thickness	Works with ceilings 1/8" to 3/4" thick. For ceilings 3/64" to 1 3/8" thick, use spring clips.
CCT	Dim to Warm (1800-3000K)
CRI	>90
Delivered Lumens	372 lm (3000K, 27°, 350mA)
Efficacy	41.3 lm/W (3000K, 27°)
Optics	6 Standard (see below)
Finishes	5 Standard, Custom RAL on request (4 Stage Marine Grade Finish)
Fixture Dimensions	3.86" x 3.86" x 3.54" h
Cut-out Size	3.54" x 3.54"
Fixture Weight	1.32 lbs
LED Source	1 COB LED
Lumen Maintenance	55,000 hrs L90, B10 (Ta 25°C)
Color Consistency	3-Step MacAdam
Operating Temp.	-4°F to +113°F
IP Rating	IP66
IK Rating	IK07

Fixture Dimensions



ORDERING INFORMATION

Example: AP17101001W0KF or AP17101001W0KF-ST. Accessories / Power Supplies ordered separately.

AP1710	10		W			-	
Model #	Power	Accessories	CCT	Optics	Finish		
AP1710	10 - Remote	00 - None 01 - Honeycomb 02 - Anti-Glare Shield NOTE: Honeycomb Louvre and Anti-Glare Shield not available on 0D (Diffuse) or 0W (23°x64°)	W - Dim to Warm (1800-3000K)	0S - 22° 0M - 26° 0L - 37° 0K - 51° 0W - 22° x 65° 0D - Diffuse	H - Anthracite T - Cor-ten F - Gray E - White 7 - Primer C - Custom RAL (consult factory for "C")	.ST .NAT NOTE: Add suffix if fixture is going to be used in steam room or natatorium (up to 5ppm chlorine). NOT for use in saunas.	

Job Name/Date:

Fixture Type Designation:

BELOW DRIVERS for GENERAL USE OR JA8 (Not Suitable for Steam Rooms)

SUGGESTED POWER SUPPLIES - 350mA - JA8 Compatible (Also for General Use)

Part Number	Description	Input/Output	# of Fixtures
PPLT00466-P	0-10V Dimming to 1.0%	120-277VAC to 350mA, 10W, Class 2, DAMP	1-1

SUGGESTED POWER SUPPLIES - 350mA - FOR GENERAL USE (Not Steam Rooms or JA8 Compatible)

Part Number	Description	Input/Output	# of Fixtures
PPLT00496	Phase Dim (120V only)	120VAC to 350mA, 12W, Class 2, DAMP	1-1
PPLT00263	Leading / Trailing Edge Dimmable to 10% (120V only)	120-277VAC to 350mA, 32W, Class 2	2-2
PPLT00467-P	0-10V Dimming to 1.0%	120-277VAC to 350mA, 50W, Class 2, DAMP	1-3
PPLT00561-P	0-10V Dimming to 0.1%	120-277VAC to 350mA, 100W, Class 2	1-3

For other power supply options consult factory.

BELOW DRIVERS ONLY FOR STEAM ROOM / NATATORIUM VERSIONS

SUGGESTED POWER SUPPLIES - 200mA - FOR STEAM ROOMS (Not JA8 Compatible)

Part Number	Description	Input/Output	# of Fixtures
PPLT00466-P	0-10V Dimming to 1.0%	120-277VAC to 200mA, 10W, Class 2, DAMP	1-1
PPLT00467-P	0-10V Dimming to 1.0%	120-277VAC to 200mA, 50W, Class 2, DAMP	1-3
PPLT00561-P	0-10V Dimming to 0.1%	120-277VAC to 200mA, 100W, Class 2	1-3

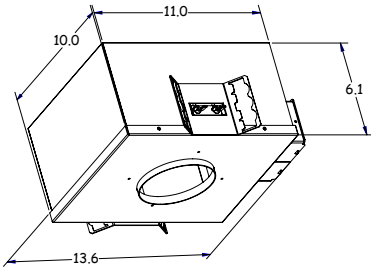
For other power supply options consult factory.

Job Name/Date:

Fixture Type Designation:

ACCESSORIES

Installation



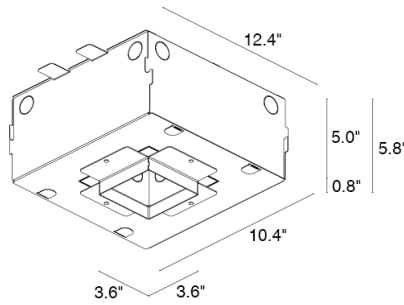
WCA22-DP

IC / JA8 Housing



WCA22

Housing for Concrete Ceilings

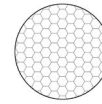


WGA02

Retaining Spring Clip

Use for ceilings 3/64" min.
to 1 3/8" max. thick

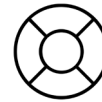
Anti-Glare



Honeycomb Louvre

Built into the fixture

The honeycomb louvre can be provided on all fixed optics except for diffuse and elliptical optics



Anti-glare Shield

Built into the fixture

The anti-glare shield can be provided on all fixed optics except for diffuse and elliptical optics

Various



WNAP10A0

Anti-Fall Kit

PHOTOMETRIC DATA

See IES Files

Job Name/Date:

Fixture Type Designation: