

ALTOPIANO 2.0

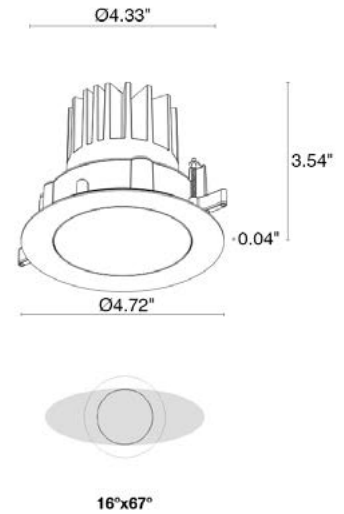
Altopiano is a family of compact, recessed outdoor downlights available in 3 sizes, round or square, suitable for hospitality and residential sectors, as well as steam rooms, NOT saunas. Available in static white, RGBW mixing or Dim to Warm. Altopiano 2.0 is the 4.7" round, static white version. UGR < 19 for 16°, 26° and 38° optics.

TECHNICAL DATA

Wattage / Input	16W (700mA)
Power Supply	Remote, not included. See page 2.
Construction	Body: Thermally Conductive Technopolymer Trim: Stainless Steel Lens: Diffuse or Extra-clear Glass Cable Length: 1.64' standard
Ceiling Thickness	Works with ceilings 1/8" to 1" thick. For ceilings 3/64" to 5/64" thick, use spring clips.
CCT	2200K, 2700K, 3000K, 4000K
CRI	80, >90 (2200K only available >90)
Delivered Lumens	1060 lm (3000K, 57°, CRI >90) 1251 lm (3000K, 57°, CRI 80)
Efficacy	66.3 lm/W (3000K, 57°, CRI >90) 78.2 lm/W (3000K, 57°, CRI 80)
Optics	6 Standard (see below)
Finishes	5 Standard, Custom RAL on request
Fixture Dimensions	Ø4.72" x 3.54" h
Cut-out Size	Ø4.33"
Fixture Weight	1.54 lbs
UGR	< 19 for 16°, 26° and 38° optics
Lumen Maintenance	60,000 hrs L90, B10 (Ta 25°C)
Color Consistency	2-Step MacAdam
Operating Temp.	-4°F to +113°F
IP Rating	IP66
IK Rating	IK08



Fixture Dimensions



ORDERING INFORMATION

Example: AP2010100150KF. Accessories / Power Supplies ordered separately.

AP2010		0				
Model #	CRI	Control System	Accessories	CCT	Optics	Finish
AP2010	0 - CRI 80 (not available on 2200K) 1 - CRI >90	0 - See Drivers on page 2	00 - None 01 - Honeycomb 02 - Anti-Glare <i>Honeycomb Louvre and Anti-glare Shield not available on 0D (Diffuse) or 0W (16°x67°)</i>	N - 2200K <i>(CRI>90 only)</i> F - 2700K 5 - 3000K 9 - 4000K	0S - 16° 0M - 26° 0L - 38° 0K - 57° 0W - 16° x 67° 0D - Diffuse	H - Anthracite T - Cor-ten F - Gray E - White 7 - Primer C - Custom RAL <i>(consult factory for "C")</i>

Job Name/Date:

Fixture Type Designation:

SUGGESTED POWER SUPPLIES

700mA

Part Number	Description	Input/Output	# of Fixtures
PPLT00465-P	0-10V Dimming to 1.0%	120-277VAC to 700mA, 20W, Class 2, DAMP	1-1
PPLT00261	Leading / Trailing Edge Dimmable to 10% (120V only)	120-277VAC to 700mA, 32W, Class 2	2-2
PPLT00467-P	0-10V Dimming to 1.0%	120-277VAC to 700mA, 50W, Class 2, DAMP	1-3
PPLT00538-P	0-10V Dimming to 0.1%	120-277VAC to 700mA, 100W, Class 2	1-4

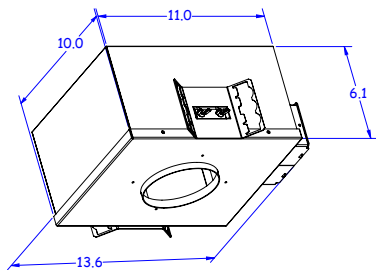
Suggested Lutron Compatible

Part Number	Option	Lutron SKU	Dim Range	Description	Input/Output	# of Fixtures
PPLT00579	LDE	LDE1	100%-1%	Hi-Lume™ 1% EcoSystem™ LED Driver, Soft On, Fade-to-Black	120-277VAC to 700mA, 16W, Class 2	1-1
PPLT00635	L3D0	L3D0	100%-0.1%	Hi-Lume™ Premier 0.1% or Ecosystem 3-Wire LED Driver	120-277VAC to 700mA, 20W, Class 2	1-1
PPLT00673	L3D0	L3D0	100%-0.1%	Hi-Lume™ Premier 0.1% or Ecosystem 3-Wire LED Driver	120-277VAC to 700mA, 20W, Class 2	1-1

For other power supply options consult factory.

ACCESSORIES

Installation



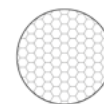
WCA18-DP
IC / JA8 Housing



WGA02
Retaining Spring Clip
Use for ceilings 1/8" min. to 3/8" max. thick

ACCESSORIES

Anti-Glare



Honeycomb Louvre
Built into the fixture
The honeycomb louvre can be provided on all fixed optics except for diffuse and elliptical optics



Anti-glare Shield
Built into the fixture
The anti-glare shield can be provided on all fixed optics except for diffuse and elliptical optics

Various



WNAP10A0
Anti-Fall Kit

PHOTOMETRIC DATA

See IES Files

Job Name/Date:

Fixture Type Designation: