

# ALTOPIANO 2.1

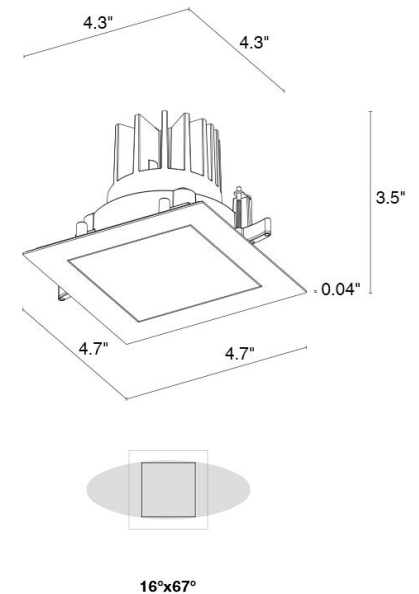
Altopiano is a family of compact, recessed outdoor downlights available in 3 sizes, round or square, suitable for hospitality and residential sectors, as well as steam rooms and natatoriums (up to 5ppm of chlorine), NOT saunas. Available in static white, RGBW mixing or Dim to Warm. Altopiano 2.1 is the 4.7" square, static white version. UGR < 19 for 16°, 26° and 38° optics.



## TECHNICAL DATA

<b>Wattage / Input</b>	16W (350mA - Steam Rooms, 500mA - General Use)
<b>Power Supply</b>	Remote, not included. See page 2.
<b>Construction</b>	Body: Thermally Conductive Technopolymer Trim: Stainless Steel Lens: Diffuse or Extra-clear Glass Cable Length: 1.64' standard
<b>Ceiling Thickness</b>	Works with ceilings 1/8" to 3/4" thick. For ceilings 3/64" to 1 3/8" thick, use spring clips.
<b>CCT</b>	2200K, 2700K, 3000K, 4000K
<b>CRI</b>	80, >90 (2200K only available >90)
<b>Delivered Lumens</b>	1060 lm (3000K, 57°, CRI >90, 500mA) 1251 lm (3000K, 57°, CRI 80, 500mA)
<b>Efficacy</b>	66.3 lm/W (3000K, 57°, CRI >90) 78.2 lm/W (3000K, 57°, CRI 80)
<b>Optics</b>	6 Standard (see below)
<b>Finishes</b>	5 Standard, Custom RAL on request (4 Stage Marine Grade Finish)
<b>Fixture Dimensions</b>	4.72" x 4.72" x 3.54" h
<b>Cut-out Size</b>	4.33" x 4.33"
<b>Fixture Weight</b>	1.54 lbs
<b>UGR</b>	< 19 for 16°, 26° and 38° optics
<b>Lumen Maintenance</b>	60,000 hrs L90, B10 (Ta 25°C)
<b>Color Consistency</b>	2-Step MacAdam
<b>Operating Temp.</b>	-4°F to +113°F
<b>IP Rating</b>	IP66
<b>IK Rating</b>	IK07

Fixture Dimensions



## ORDERING INFORMATION

Example: AP2110100150KF or AP2110100150KF-ST. Accessories / Power Supplies ordered separately.

AP2110		0					-	
Model #	CRI	Power	Accessories	CCT	Optics	Finish		
AP2110	0 - CRI 80 (not available on 2200K) 1 - CRI>90	0 - See Drivers on page 2	00 - None 01 - Honeycomb 02 - Anti-Glare NOTE: Honeycomb Louvre and Anti-glare Shield not available on 0D (Diffuse) or 0W (16°x67°)	N - 2200K (CRI>90 only) F - 2700K 5 - 3000K 9 - 4000K	0S - 16° 0M - 26° 0L - 38° 0K - 57° 0W - 16° x 67° 0D - Diffuse	H - Anthracite T - Cor-ten F - Gray E - White 7 - Primer C - Custom RAL (consult factory for "C")	.ST .NAT	NOTE: Add suffix if fixture is going to be used in steam room or natatorium (up to 5ppm chlorine). NOT for use in saunas.

Job Name/Date:

Fixture Type Designation:

## BELOW DRIVERS for GENERAL USE OR JA8 (Not Suitable for Steam Rooms)

### SUGGESTED POWER SUPPLIES - 500mA - JA8 Compatible (Also for General Use)

Part Number	Description	Input/Output	# of Fixtures
<a href="#">PPLT00465-P</a>	0-10V Dimming to 1.0%	120-277VAC to 500mA, 20W, Class 2, DAMP	1-1

### SUGGESTED POWER SUPPLIES - 500mA - FOR GENERAL USE (Not Steam Rooms or JA8 Compatible)

Part Number	Description	Input/Output	# of Fixtures
<a href="#">PPLT00262</a>	Leading / Trailing Edge Dimmable to 10% (120V only)	120-277VAC to 500mA, 32W, Class 2	2-2
<a href="#">PPLT00467-P</a>	0-10V Dimming to 1.0%	120-277VAC to 500mA, 50W, Class 2, DAMP	1-3
<a href="#">PPLT00561-P</a>	0-10V Dimming to 0.1%	120-277VAC to 500mA, 100W, Class 2	1-3

### Suggested Lutron Compatible - 500mA - FOR GENERAL USE (Not Steam Rooms or JA8 Compatible)

Part Number	Option	Lutron SKU	Dim Range	Description	Input/Output	# of Fixtures
<a href="#">PPLT00195</a>	L3DAE / L3DA3W	L3DA	100%-1%	Hi-Lume™ 1% EcoSystem™ or 1% 3-Wire LED Driver	120-277VAC to 500mA, 19W, Class 2	1-1
<a href="#">PPLT00676</a>	PEQ0E	PEQ0	100%-0.1%	Hi-Lume™ Premier 0.1% EcoSystem™ F2B	120-277VAC to 500mA, 20W, Class 2	1-1

For other power supply options consult factory.

## BELOW DRIVERS ONLY FOR STEAM ROOM / NATATORIUM VERSIONS

### SUGGESTED POWER SUPPLIES - 350mA - FOR STEAM ROOMS (Not JA8 Compatible)

Part Number	Description	Input/Output	# of Fixtures
<a href="#">PPLT00263</a>	Leading / Trailing Edge Dimmable to 10% (120V only)	120-277VAC to 350mA, 32W, Class 2	2-2
<a href="#">PPLT00467-P</a>	0-10V Dimming to 1.0%	120-277VAC to 350mA, 50W, Class 2, DAMP	1-3
<a href="#">PPLT00561-P</a>	0-10V Dimming to 0.1%	120-277VAC to 350mA, 100W, Class 2	1-3

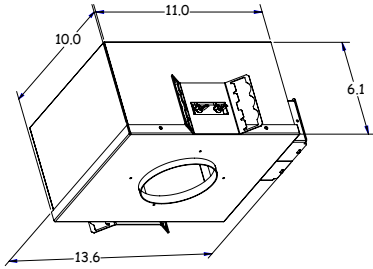
For other power supply options consult factory.

Job Name/Date:

Fixture Type Designation:

## ACCESSORIES

### Installation



### WCA21-DP

IC / JA8 Housing



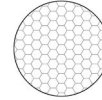
### WGA02

Retaining Spring Clip

Use for ceilings 3/64" min. to 1 3/8" max. thick

## ACCESSORIES

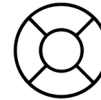
### Anti-Glare



### Honeycomb Louvre

Built into the fixture

The honeycomb louvre can be provided on all fixed optics except for diffuse and elliptical optics



### Anti-glare Shield

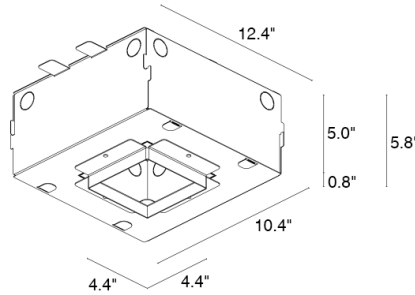
Built into the fixture

The anti-glare shield can be provided on all fixed optics except for diffuse and elliptical optics



### WCA21

Housing for Concrete Ceilings



### Various



### WNAP10A0

Anti-Fall Kit

## PHOTOMETRIC DATA

See IES Files

Job Name/Date:

Fixture Type Designation: