

# ALTOPIANO 3.0

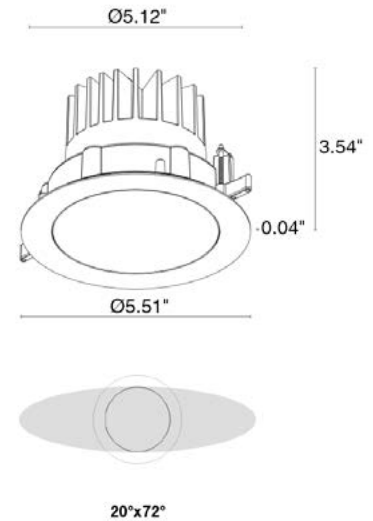
Altopiano is a family of compact, recessed outdoor downlights available in 3 sizes, round or square, suitable for hospitality and residential sectors, as well as steam rooms, NOT saunas. Available in static white, RGBW mixing or Dim to Warm. Altopiano 3.0 is the 5.5" round, static white version. UGR < 19 for 18°, 24° and 37° optics.



## TECHNICAL DATA

<b>Wattage / Input</b>	20W (500mA)
<b>Power Supply</b>	Remote, not included. See page 2.
<b>Construction</b>	Body: Thermally Conductive Technopolymer Trim: Stainless Steel Lens: Diffuse or Extra-clear Glass Cable Length: 1.64' standard
<b>Ceiling Thickness</b>	Works with ceilings 1/8" to 1" thick. For ceilings 3/64" to 5/64" thick, use spring clips
<b>CCT</b>	2200K, 2700K, 3000K, 4000K
<b>CRI</b>	80, >90 (2200K only available >90)
<b>Delivered Lumens</b>	1683 lm (3000K, 18°, CRI >90) 1988 lm (3000K, 18°, CRI 80)
<b>Efficacy</b>	84.2 lm/W (3000K, 18°, CRI >90) 99.4 lm/W (3000K, 18°, CRI 80)
<b>Optics</b>	6 Standard (see below)
<b>Finishes</b>	5 Standard, Custom RAL on request
<b>Fixture Dimensions</b>	Ø5.51" x 3.54" h
<b>Cut-out Size</b>	Ø5.12"
<b>Fixture Weight</b>	1.76 lbs
<b>UGR</b>	< 19 for 18°, 24° and 37° optics
<b>Lumen Maintenance</b>	60,000 hrs L90, B10 (Ta 25°C)
<b>Color Consistency</b>	2-Step MacAdam
<b>Operating Temp.</b>	-4°F to +113°F
<b>IP Rating</b>	IP66
<b>IK Rating</b>	IK08

Fixture Dimensions



## ORDERING INFORMATION

Example: AP3010100150KF. Accessories / Power Supplies ordered separately.

AP3010		0				
Model #	CRI	Control System	Accessories	CCT	Optics	Finish
AP3010	0 - CRI 80 (not available on 2200K) 1 - CRI >90	0 - See Drivers on page 2	00 - None 01 - Honeycomb 02 - Anti-Glare <i>Honeycomb Louvre and Anti-glare Shield not available on 0D (Diffuse) or 0W (20°x72°)</i>	N - 2200K (CRI>90 only) F - 2700K 5 - 3000K 9 - 4000K	0S - 18° 0M - 24° 0L - 37° 0K - 61° 0W - 20° x 72° 0D - Diffuse	H - Anthracite T - Cor-ten F - Gray E - White 7 - Primer C - Custom RAL (consult factory for "C")

Job Name/Date:

Fixture Type Designation:

## SUGGESTED POWER SUPPLIES

500mA

Part Number	Description	Input/Output	# of Fixtures
<a href="#">PPLT00465-P</a>	0-10V Dimming to 1.0%	120-277VAC to 500mA, 20W, Class 2, DAMP	1-1
<a href="#">PPLT00262</a>	Leading / Trailing Edge Dimming to 10% (120V only)	120-277VAC to 500mA, 32W, Class 2	1-1
<a href="#">PPLT00467-P</a>	0-10V Dimming to 1.0%	120-277VAC to 500mA, 50W, Class 2, DAMP	1-1
<a href="#">PPLT00538-P</a>	0-10V Dimming to 0.1%	120-277VAC to 500mA, 100W, Class 2	1-4

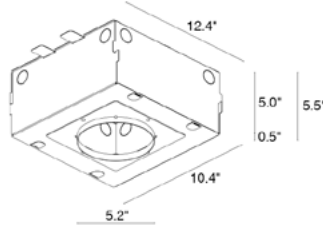
## Suggested Lutron Compatible

Part Number	Option	Lutron SKU	Dim Range	Description	Input/Output	# of Fixtures
<a href="#">PPLT00676</a>	L3D0	L3D0	100%-0.1%	Hi-Lume™ Premier 0.1% or Ecosystem 3-Wire LED Driver	120-277VAC to 500mA, 20W, Class 2	1-1

For other power supply options consult factory.

## ACCESSORIES

### Installation



#### WCA17

Outer Casing

For solid ceilings (concrete)

Consult factory for regular ceilings



#### WGA03

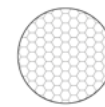
Retaining Spring Clip

Use for ceilings 1/8"

min. to 3/8" max. thick

## ACCESSORIES

### Anti-Glare



#### Honeycomb Louvre

Built into the fixture

The honeycomb louvre can be provided on all fixed optics except for diffuse and elliptical optics



#### Anti-glare Shield

Built into the fixture

The anti-glare shield can be provided on all fixed optics except for diffuse and elliptical optics

## Various



#### WNAP10A0

Anti-Fall Kit

## PHOTOMETRIC DATA

See IES Files

Job Name/Date:

Fixture Type Designation: