

# ALTOPIANO 3.1

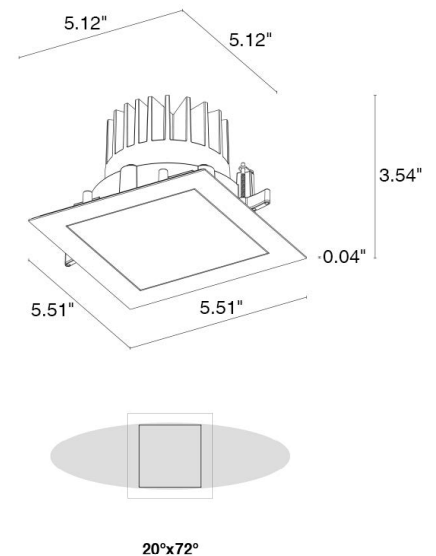
Altopiano is a family of compact, recessed outdoor downlights available in 3 sizes, round or square, suitable for hospitality and residential sectors, as well as steam rooms and natatoriums, NOT saunas. Available in static white, RGBW mixing or Dim to Warm. Altopiano 3.1 is the 5.5" square, static white version. UGR < 19 for 18°, 24° and 37° optics.



## TECHNICAL DATA

<b>Wattage / Input</b>	20W (350mA - Steam Rooms / 500mA - General Use)
<b>Power Supply</b>	Remote, not included. See page 2.
<b>Construction</b>	Body: Thermally Conductive Technopolymer Trim: Stainless Steel Lens: Diffuse or Extra-clear Glass Cable Length: 1.64' standard
<b>Ceiling Thickness</b>	Works with ceilings 1/8" to 1" thick. For ceilings 3/64" to 5/64" thick, use spring clips
<b>CCT</b>	2200K, 2700K, 3000K, 4000K
<b>CRI</b>	80, >90 (2200K only available >90)
<b>Delivered Lumens</b>	1683 lm (3000K, 18°, CRI >90, 500mA) 1988 lm (3000K, 18°, CRI 80, 500mA)
<b>Efficacy</b>	84.2 lm/W (3000K, 18°, CRI >90) 99.4 lm/W (3000K, 18°, CRI 80)
<b>Optics</b>	6 Standard (see below)
<b>Finishes</b>	5 Standard, Custom RAL on request
<b>Fixture Dimensions</b>	5.51" x 5.51" x 3.54" h
<b>Cut-out Size</b>	5.12" x 5.12"
<b>Fixture Weight</b>	1.76 lbs
<b>UGR</b>	< 19 for 18°, 24° and 37° optics
<b>Lumen Maintenance</b>	60,000 hrs L90, B10 (Ta 25°C)
<b>Color Consistency</b>	2-Step MacAdam
<b>Operating Temp.</b>	-4°F to +113°F
<b>IP Rating</b>	IP66
<b>IK Rating</b>	IK07

Fixture Dimensions



## ORDERING INFORMATION

Example: AP3110100150KF or AP3110100150KF-ST. Accessories / Power Supplies ordered separately.

AP3110		0					
Model #	CRI	Power	Accessories	CCT	Optics	Finish	
AP3110	0 - CRI 80 (not available on 2200K)  1 - CRI>90	0 - See Drivers on page 2	00 - None 01 - Honeycomb 02 - Anti-Glare  <b>NOTE:</b> Honeycomb Louvre and Anti-glare Shield not available on 0D (Diffuse) or 0W (20°x72°)	N - 2200K (CRI>90 only) F - 2700K 5 - 3000K 9 - 4000K	0S - 18° 0M - 24° 0L - 37° 0K - 61° 0W - 20° x 72° 0D - Diffuse	H - Anthracite T - Cor-ten F - Gray E - White 7 - Primer C - Custom RAL (consult factory for "C")	<b>ST</b>  <b>NOTE:</b> Add suffix if fixture is going to used in a steam room. NOT for use in saunas.

Job Name/Date:

Fixture Type Designation:

## BELOW DRIVERS for GENERAL USE OR JA8 (Not Suitable for Steam Rooms)

### SUGGESTED POWER SUPPLIES - 500mA - JA8 Compatible (Also for General Use)

Part Number	Description	Input/Output	# of Fixtures
<a href="#">PPLT00465-P</a>	0-10V Dimming to 1.0%	120-277VAC to 500mA, 20W, Class 2, DAMP	1-1

### SUGGESTED POWER SUPPLIES - 500mA - FOR GENERAL USE (Not Steam Rooms or JA8 Compatible)

Part Number	Description	Input/Output	# of Fixtures
<a href="#">PPLT00308-P</a>	0-10V Dimming to 0.1%	120-277VAC to 500mA, 30W, Class 2, DAMP	1-1
<a href="#">PPLT00262</a>	Leading / Trailing Edge Dimmable to 10% (120V only)	120-277VAC to 500mA, 32W, Class 2	1-1
<a href="#">PPLT00467-P</a>	0-10V Dimming to 1.0%	120-277VAC to 500mA, 50W, Class 2, DAMP	1-1
<a href="#">PPLT00538-P</a>	0-10V Dimming to 0.1% (4 channels)	120-277VAC to 500mA, 100W, Class 2	1-4

### Suggested Lutron Compatible - 500mA - FOR GENERAL USE (Not Steam Rooms or JA8 Compatible)

Part Number	Option	Lutron SKU	Dim Range	Description	Input/Output	# of Fixtures
<a href="#">PPLT00676</a>	PEQ0E	PEQ0	100%-0.1%	Hi-Lume™ Premier 0.1% EcoSystem™ F2B	120-277VAC to 500mA, 20W, Class 2	1-1

For other power supply options consult factory.

## BELOW DRIVERS ONLY FOR STEAM ROOM / NATATORIUM VERSIONS

### SUGGESTED POWER SUPPLIES - 350mA - FOR STEAM ROOMS (Not JA8 Compatible)

Part Number	Description	Input/Output	# of Fixtures
<a href="#">PPLT00308-P</a>	0-10V Dimming to 0.1%	120-277VAC to 350mA, 30W, Class 2, DAMP	1-1
<a href="#">PPLT00263</a>	Leading / Trailing Edge Dimmable to 10% (120V only)	120-277VAC to 350mA, 32W, Class 2	1-1
<a href="#">PPLT00467-P</a>	0-10V Dimming to 1.0%	120-277VAC to 350mA, 50W, Class 2, DAMP	1-1
<a href="#">PPLT00538-P</a>	0-10V Dimming to 0.1% (4 channels)	120-277VAC to 350mA, 100W, Class 2	1-4

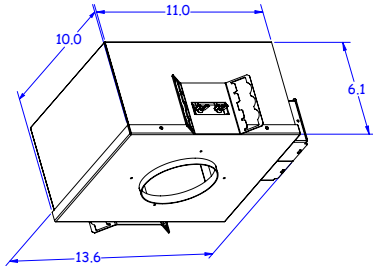
For other power supply options consult factory.

Job Name/Date:

Fixture Type Designation:

## ACCESSORIES

### Installation

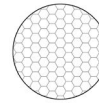


**WCA20-DP**  
IC / JA8 Housing

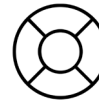


**WGA03**  
Retaining Spring Clip  
Use for ceilings 1/8"  
min. to 3/8" max. thick

### Anti-Glare



**Honeycomb Louvre**  
Built into the fixture  
*The honeycomb louvre can be provided on all fixed optics except for diffuse and elliptical optics*



**Anti-glare Shield**  
Built into the fixture  
*The anti-glare shield can be provided on all fixed optics except for diffuse and elliptical optics*

### Various



**WNAP10A0**  
Anti-Fall Kit

## PHOTOMETRIC DATA

See IES Files

Job Name/Date:

Fixture Type Designation: