

ALTOPIANO 3.6

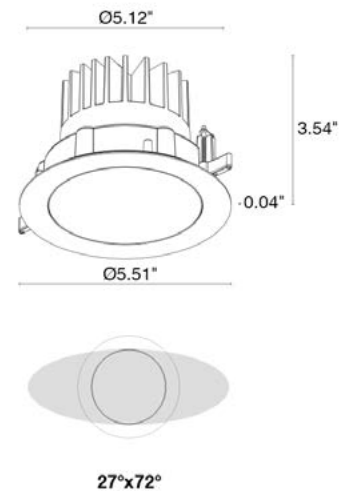
Altopiano is a family of compact, recessed outdoor downlights available in 3 sizes, round or square, suitable for hospitality and residential sectors, as well as steam rooms, NOT saunas. Available in static white, RGBW mixing or Dim to Warm. Altopiano 3.6 is the 5.5" round, Dim to Warm version.



TECHNICAL DATA

Wattage / Input	15W (400mA)
Power Supply	Remote, not included. See page 2.
Construction	Body: Thermally Conductive Technopolymer Trim: Stainless Steel Lens: Diffuse or Extra-clear Glass Cable Length: 1.64' standard
Ceiling Thickness	Works with ceilings 1/8" to 1" thick. For ceilings 3/64" to 5/64" thick, use spring clips
CCT	Dim to Warm (1800K-3000K)
CRI	>90
Delivered Lumens	1068 lm (3000K, 31°)
Efficacy	71.2 lm/W (3000K, 31°)
Optics	6 Standard (see below)
Finishes	5 Standard, Custom RAL on request
Fixture Dimensions	Ø5.51" x 3.54" h
Cut-out Size	Ø5.12"
Fixture Weight	1.76 lbs
LED Source	1 COB LED
Lumen Maintenance	55,000 hrs L90, B10 (Ta 25°C)
Color Consistency	3-Step MacAdam
Operating Temp.	-4°F to +113°F
IP Rating	IP66
IK Rating	IK08

Fixture Dimensions



ORDERING INFORMATION

Example: AP36101001W0LF. Accessories / Power Supplies ordered separately.

AP3610	1D		W		
Model #	Control System	Accessories	CCT	Optics	Finish
AP3610	10 - Remote <i>Drivers on page 2</i>	00 - None 01 - Honeycomb 02 - Anti-Glare Shield <i>Honeycomb Louvre and Anti-Glare Shield not available on 0D (Diffuse) or 0W (27°x72°)</i>	W - Dim to Warm <i>(1800K-3000K)</i>	0S - 25° 0M - 31° 0L - 40° 0K - 61° 0W - 27° x 72° 0D - Diffuse	H - Anthracite T - Cor-ten F - Gray E - White 7 - Primer C - Custom RAL <i>(consult factory for "C")</i>

Job Name/Date:

Fixture Type Designation:

SUGGESTED POWER SUPPLIES

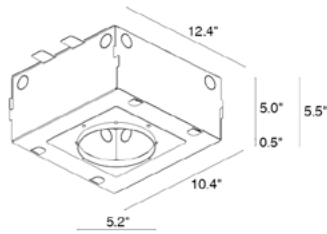
400mA

Part Number	Description	Input/Output	# of Fixtures
PPLT00465-P	0-10V Dimming to 1.0%	120-277VAC to 400mA, 20W, Class 2, DAMP	1-1
PPLT00467-P	0-10V Dimming to 1.0%	120-277VAC to 400mA, 50W, Class 2, DAMP	1-1
PPLT00538-P	0-10V Dimming to 0.1%	120-277VAC to 400mA, 100W, Class 2	1-4

For other power supply options consult factory.

ACCESSORIES

Installation



WCA17

Outer Casing

For solid ceilings (concrete)

Consult factory for regular ceilings



WGA03

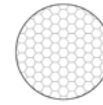
Retaining Spring Clip

Use for ceilings 1/8"

min. to 3/8" max. thick

ACCESSORIES

Anti-Glare



Honeycomb Louvre

Built into the fixture

The honeycomb louvre can be provided on all fixed optics except for diffuse and elliptical optics



Anti-glare Shield

Built into the fixture

The anti-glare shield can be provided on all fixed optics except for diffuse and elliptical optics

Various



WNAP10A0
Anti-Fall Kit

PHOTOMETRIC DATA

See IES Files

Job Name/Date:

Fixture Type Designation: