

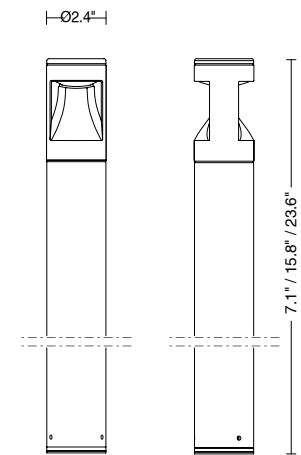
Lako is an IP65-rated, asymmetrical luminaire that is available as a bollard or wall-mounted cylindrical fixture with a single or double diffused light beam. The Lako bollard is available in 3 different heights, 2 color temperatures, and a graphite or oxide powder paint finish. Dark Sky compliant for output below 80°.



TECHNICAL DATA

Wattage	6W
Power Supply	Remote 400mA, not included. See page 2.
Construction	Body: Die-Cast Extruded Aluminum Lens: Opal Polycarbonate
CCT	2700K, 3000K
BUG Rating	B0-U1-G0
CRI	>90
Delivered Lumens	108 lm per beam (3000K) Dark Sky compliant, output below 80°
Efficacy	18 lm/W per beam
Optics	Asymmetric
Finishes	Graphite, Oxide
Fixture Dimensions	Ø2.4" x 7.1" / 15.8" / 23.6"
Lumen Maintenance	L80, B15 >60,000hrs (Ta 40°C)
Color Consistency	3-Step MacAdam
IP Rating	IP65
Impact Resistance	IK08

Fixture Dimensions



ORDERING INFORMATION

Example: **LNLA20040AHB7ZL.US**. Power Supplies ordered separately.

LNLA20				B7Z		US
Model No.	Height	Optics	CCT	B7Z	Finish	US
LNLA20	018 - 7.1" (18 cm) 040 - 15.8" (40 cm) 060 - 23.6" (60 cm)	A - Single Asymmetric 4 - Double Asymmetric	Y - 2700K H - 3000K	B7Z	L - Graphite V - Oxide H - Gray	US

Job Name/Date:

Fixture Type Designation:

SUGGESTED POWER SUPPLIES

400mA

Part Number	Description	Input/Output	# of Fixtures	
			SINGLE	DOUBLE
PPLT00466-P	0-10V Dimming to 1.0%	120-277VAC to 400mA, 10W, Class 2, DAMP	1-1	—
PPLT00465-P	0-10V Dimming to 1.0%	120-277VAC to 400mA, 20W, Class 2, DAMP	1-2	1-1
PPLT00308-P	0-10V Dimming to 0.1%	120-277VAC to 400mA, 30W, Class 2, DAMP	1-3	1-1
PPLT00538-P	0-10V Dimming to 0.1% (4 channels)	120-277VAC to 350mA, 100W Class 2	1-3 (1-12)	1-1 (1-4)

For other power supply options consult factory.

ACCESSORIES - Installation

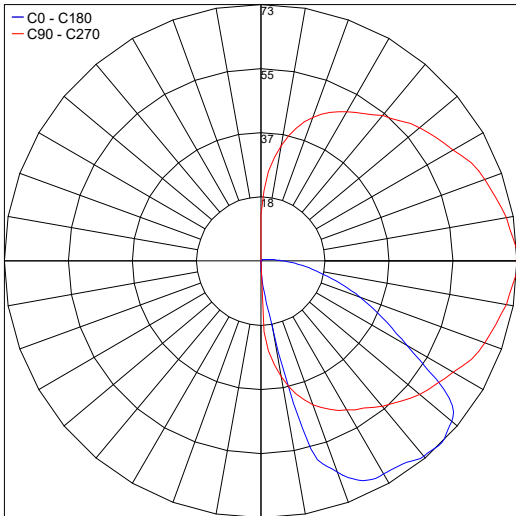
00A409

Root Mounting Kit

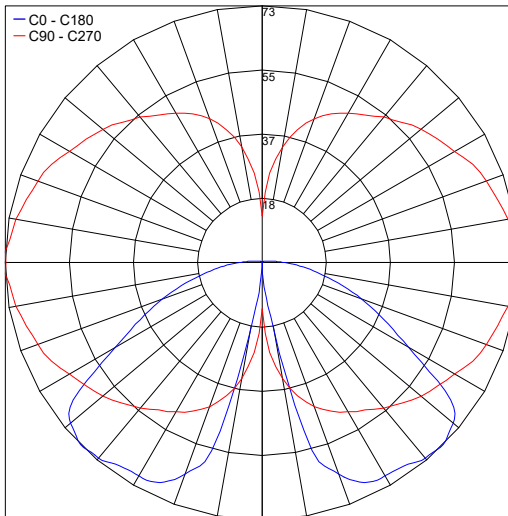
PHOTOMETRIC DATA

Note: All photometric data is 3000K

Maximum Candela = 73.3



Maximum Candela = 73.3



Job Name/Date:

Fixture Type Designation: