

# Minimalism and 3D.

lako

design by Landa R&D

designplan®

79 Trenton Avenue  
Frenchtown, NJ 08825

[www.designplan.com](http://www.designplan.com)

Tel: (908) 996-7710  
Fax: (908) 996-7042



# lako

*An asymmetrical light with single or double emission, a bollard available in three different heights 7.1", 15.8" or 23.6" and perfect for the functional lighting of walkways or driveways of parks and gardens. The lens is opal, the design is modern, functional and minimalist and can always be perfectly integrated into the design context, thanks to the very high adaptability of the graphite powder paint finish.*

*Technological but simple, minimal in its 3D: Lako's cylindrical body is resistant and made of die-cast extruded aluminum.*

LAKO | WALL LAMP AVAILABLE





# lako

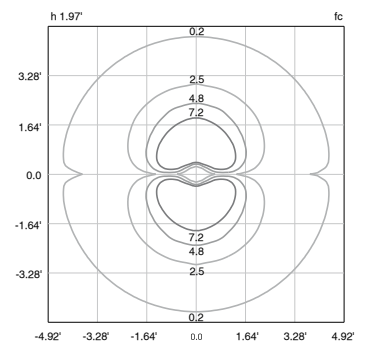
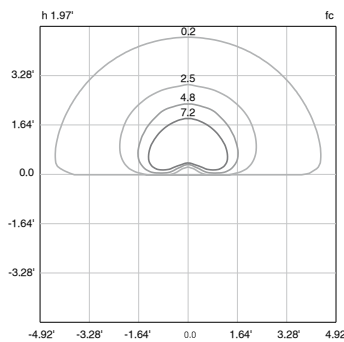
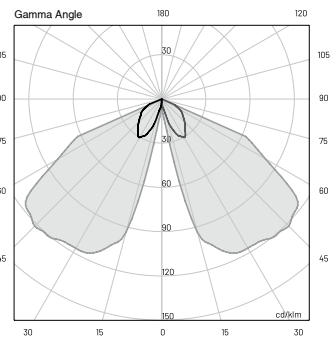
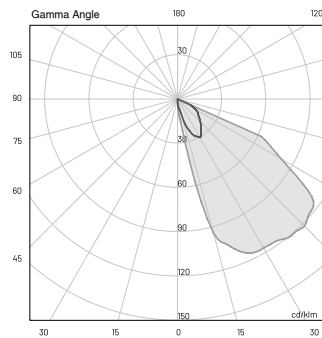
# 6W

SINGLE ASYMMETRIC • DOUBLE ASYMMETRIC



## TECHNICAL SPECIFICATIONS

	SINGLE ASYMMETRIC	DOUBLE ASYMMETRIC
Source lamp	LED 6W	LED 6W
Total wattage	6W	6W
Voltage	400mA, 50-60 Hz	400mA, 50-60 Hz
Control	On/Off	On/Off
Light color	3000K	3000K
Delivered lumens *Lumens at source	108 lm (600 lm*)	216 lm (600 lm*)
Luminous efficacy	18 lm/W	36 lm/W
McADAM steps	3	3
Beam	Asymmetric	Double asymmetric
CRI	> 90	> 90
Life time	L70 > 50.000 h Ta 40°C	L70 > 50.000 h Ta 40°C
IP rating	IP65	IP65
IK rating	IK08	IK08



## MATERIALS

Body	Die-cast aluminum EN47100 and extruded aluminum EN AW6060
Diffuser	Opal polycarbonate
Finishing	Polyester powder paint

## ORDER CODE

LA 2 0	---	H	BAZ	---
				Finishing
				Beam
				Height
		<b>L</b>	Graphite	●
		<b>V</b>	Oxide	●
		<b>H</b>	Gray	●
		<b>A</b>	Single asymmetric	
		<b>4</b>	Double asymmetric	
	<b>018</b>	7.1" (18 cm)		
	<b>040</b>	15.8" (40 cm)		
	<b>060</b>	23.6" (60 cm)		
	<i>Example</i>	<b>LA 2 0 018 A H B AZL</b>		

## AVAILABLE ACCESSORIES

Code	Description
00A409	Root mounting kit

