

# LYRAS 130 - WALL

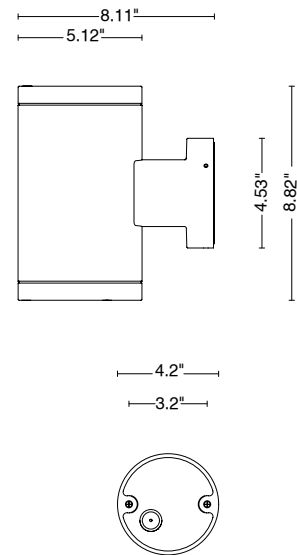
LYRAS 130 WALL is a single or double beam, wall-mounted, Ø5.1" cylinder luminaire that can be suitable for outdoor installation thanks to its IP66 rating. It is available with spot, medium or wide flood optics, and 2 standard finishes.



## TECHNICAL DATA

<b>Wattage / Input</b>	10W Single (300mA) 20W Double (600mA)
<b>Power Supply</b>	Remote, not included. See page 2.
<b>Construction</b>	Body: Die-Cast Aluminum Lens: Extra-clear Tempered Glass 0.51" (16 mm)
<b>CCT</b>	2700K, 3000K, 4000K
<b>BUG Rating</b>	B1-U1-G0 (Lyras 130 Single 33°) B1-U1-G1 (Lyras 130 Single 18°, 60°) B1-U5-G1 (Lyras 130 Double 18°, 33°, 60°, 18°/60°)
<b>CRI</b>	>90
<b>Delivered Lumens</b>	1144 lm per beam (18°, 3000K) 1128 lm per beam (33°, 3000K) 1144 lm per beam (60°, 3000K)
<b>Efficacy</b>	91.5 lm/W per beam (18°, 3000K) 90.2 lm/W per beam (33°, 3000K) 91.5 lm/W per beam (60°, 3000K)
<b>Optics</b>	18° (Spot), 33° (Medium), 60° (Wide Flood)
<b>Finishes</b>	Graphite, Gray
<b>Fixture Dimensions</b>	Ø5.1" x 8.8"
<b>Lumen Maintenance</b>	L80, B15 >60,000hrs (Ta 40°C)
<b>Color Consistency</b>	3-Step MacAdam
<b>IP Rating</b>	IP66
<b>Impact Resistance</b>	IK08

Fixture Dimensions



## ORDERING INFORMATION

Example: LNL70PARSHBAZH.US. Power supplies ordered separately.

LNL70PAR			BAZ		US
<b>Model No.</b>	<b>Optics</b>	<b>CCT</b>	<b>BAZ</b>	<b>Finish</b>	
LNL70PAR	S - 18° Spot M - 33° Medium W - 60° Wide Flood 1 - Double 18° Spot 2 - Double 33° Medium 3 - Double 60° Wide 6 - Double Spot 18° / Wide 60°	Y - 2700K H - 3000K N - 4000K		L - Graphite H - Gray	US

Job Name/Date:

Fixture Type Designation:

## SUGGESTED POWER SUPPLIES

300mA - *Single Beam Version* (10W)

Part Number	Description	Input/Output	# of Fixtures
<a href="#">PPLT00625</a>	ELV / TRIAC & 0-10V Dimming	120-277VAC to 300mA, 12.6W, Class 2	1-1
<a href="#">PPLT00309-P</a>	0-10V Dimming to 0.1%	120-277VAC to 300mA, 50W, Class 2, DAMP	1-1
<a href="#">PPLT00467-P</a>	0-10V Dimming to 1.0%	120-277VAC to 300mA, 50W, Class 2, DAMP	1-1

## SUGGESTED POWER SUPPLIES

600mA - *Double Beam Version* (20W)

Part Number	Description	Input/Output	# of Fixtures
<a href="#">PPLT00309-P</a>	0-10V Dimming to 0.1%	120-277VAC to 600mA, 50W, Class 2, DAMP	1-1
<a href="#">PPLT00467-P</a>	0-10V Dimming to 1.0%	120-277VAC to 600mA, 50W, Class 2, DAMP	1-1

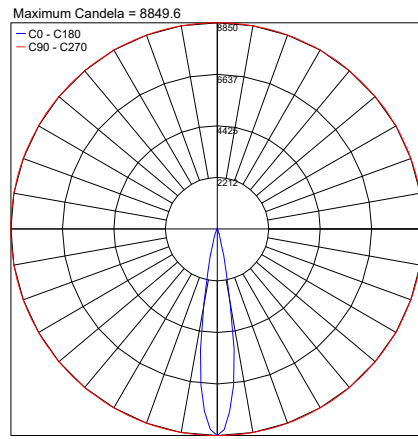
*For other power supply options consult factory.*

Job Name/Date:

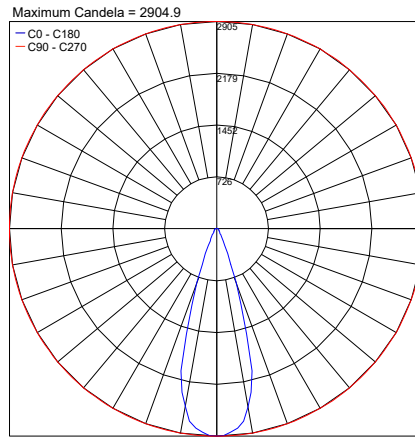
Fixture Type Designation:

## PHOTOMETRIC DATA

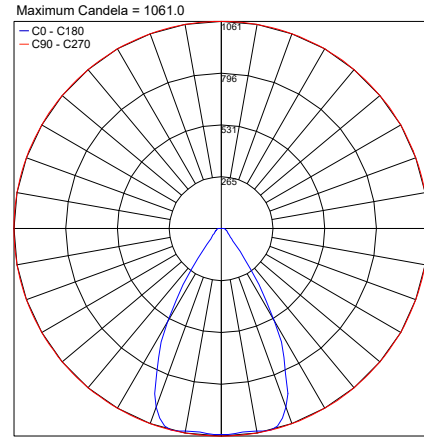
Note: All photometric data is 3000K



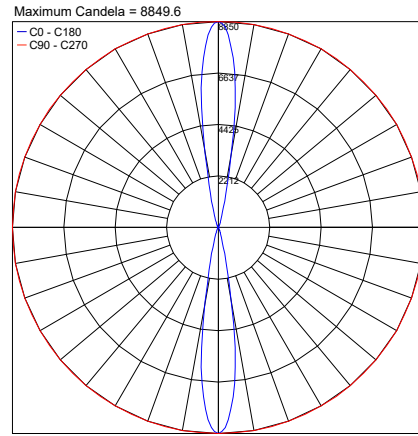
PHOTOMETRIC FILENAME : LYRAS 130 WALL SINGLE 18° - LY70PAR5\_B10\_LDT.IES



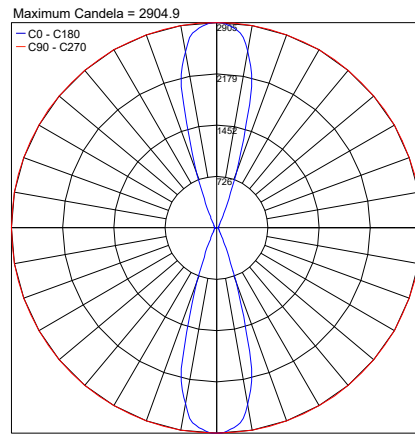
PHOTOMETRIC FILENAME : LYRAS 130 WALL SINGLE 33° - LY70PARM\_B10\_LDT.IES



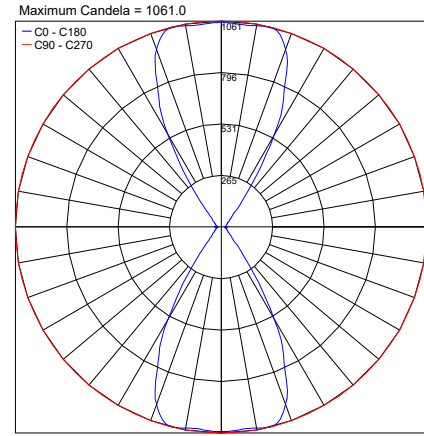
PHOTOMETRIC FILENAME : LYRAS 130 WALL SINGLE 60° - LY70PARW\_B10\_LDT.IES



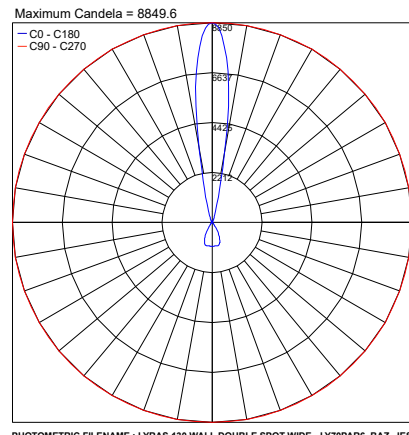
PHOTOMETRIC FILENAME : LYRAS 130 WALL DOUBLE SPOT - LY70PAR1\_BAZ.IES



PHOTOMETRIC FILENAME : LYRAS 130 WALL DOUBLE MEDIUM - LY70PAR2\_BAZ.IES



PHOTOMETRIC FILENAME : LYRAS 130 WALL DOUBLE WIDE - LY70PAR3\_BAZ.IES



PHOTOMETRIC FILENAME : LYRAS 130 WALL DOUBLE SPOT-WIDE - LY70PAR6\_BAZ.IES

Job Name/Date:

Fixture Type Designation: