

# MORPHIS 2 WALL

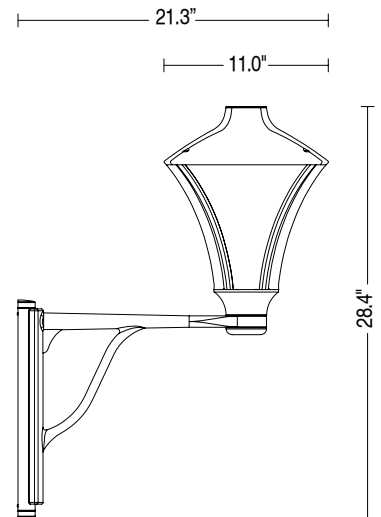
Morphis 2 Wall is a wall mounted LED lamp that blends technology and innovation with a classic design. It comes with an extra clear polycarbonate diffusing lens and is available in 6 standard finishes.



## TECHNICAL DATA

<b>Wattage</b>	30W
<b>Power Supply</b>	Remote 700mA, not included. See page 2.
<b>Construction</b>	Body: Die-Cast Aluminum Lens: Extra-Clear Polycarbonate
<b>CCT</b>	3000K, 4000K (other colors on request)
<b>BUG Rating</b>	B1-U1-G1 (3000K) B1-U2-G1 (4000K)
<b>CRI</b>	>90
<b>Delivered Lumens</b>	1700 lm (3000K) 1800 lm (4000K)
<b>Efficacy</b>	56.7 lm/W (3000K)
<b>Optics</b>	Diffuse
<b>Finishes</b>	6 Standard, See Below
<b>Fixture Dimensions</b>	28.4" l x 11.0" w x 21.3"
<b>Lumen Maintenance</b>	L70 >50,000hrs (Ta 40°C)
<b>Color Consistency</b>	3-Step MacAdam
<b>IP Rating</b>	IP65
<b>Impact Resistance</b>	IK08

Fixture Dimensions



## ORDERING INFORMATION

Example: LNMO30PARDHBDZP.US. Accessories / Power Supplies ordered separately.

LNMO4	0PAAD		BDZ		US
<b>Model No.</b>	<b>Optics</b>	<b>CCT</b>	<b>BDZ</b>	<b>Finish</b>	<b>US</b>
LNMO4	0PAAD - Extra Clear Diffuse	H - 3000K N - 4000K	BDZ	G - Black S - Black/Copper P - Black/Green R - Black/Silver L - Graphite V - Oxide	US

Job Name/Date:

Fixture Type Designation:

## SUGGESTED POWER SUPPLIES

700mA

Part Number	Description	Input/Output	# of Fixtures
<a href="#">PPLT00480-P</a>	0-10V Dimming to 1.0%	120-277VAC to 700mA, 30W, Class 2, DAMP	1-1
<a href="#">PPLT00261</a>	Leading / Trailing Edge Dimmable to 10% (120V only)	120-277VAC to 700mA, 32W, Class 2	1-1
<a href="#">PPLT00467-P</a>	0-10V Dimming to 1.0%	120VAC to 700mA, 50W, Class 2, DAMP	1-1

## Suggested Lutron Compatible

Part Number	Option	Lutron SKU	Dim Range	Description	Input/Output	# of Fixtures
<a href="#">PPLT00181</a>	L3DAE / L3DA3W	L3DA	100%-1%	Hi-Lume™ 1% EcoSystem™ or 1% 3-Wire LED Driver	120-277VAC to 700mA, 38W, Class 2	1-1

For other power supply options consult factory.

## ACCESSORIES - Installation

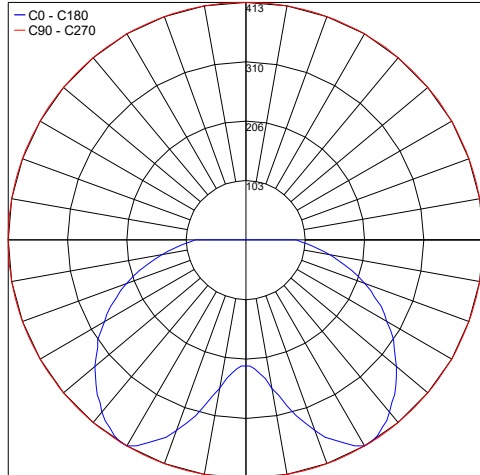
**00596**

Corner Bracket

## PHOTOMETRIC DATA

3000K

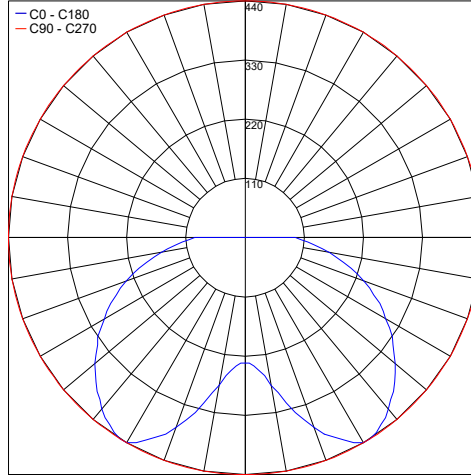
Maximum Candela = 412.9



PHOTOMETRIC FILENAME : MORPHIS 2 3000K MO40XXXDHB10X.IES

4000K

Maximum Candela = 439.7



PHOTOMETRIC FILENAME : MORPHIS 2 4000K MO40XXXDHB10X.IES

Job Name/Date:

Fixture Type Designation: