

MORPHIS 2 WALL

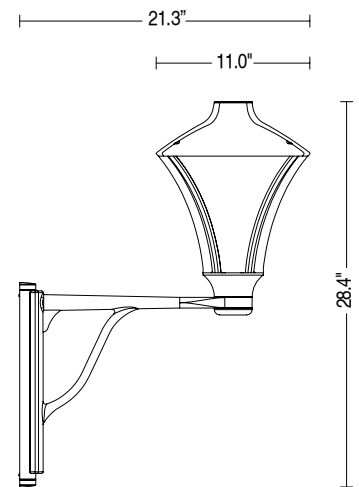
Morphis 2 Wall is a wall mounted LED lamp that blends technology and innovation with a classic design. It comes with an extra clear polycarbonate diffusing lens and is available in 6 standard finishes.



TECHNICAL DATA

Wattage	30W
Power Supply	Remote 700mA, not included. See page 2.
Construction	Body: Die-Cast Aluminum Lens: Extra-Clear Polycarbonate
CCT	2700K, 3000K, 4000K
BUG Rating	B1-U1-G1 (3000K) B1-U2-G1 (4000K)
CRI	>90
Delivered Lumens	1700 lm (3000K) 1800 lm (4000K)
Efficacy	56.7 lm/W (3000K)
Optics	Diffuse
Finishes	6 Standard, See Below
Fixture Dimensions	28.4" l x 11.0" w x 21.3"
Lumen Maintenance	L80, B15 >60,000hrs (Ta 40°C)
Color Consistency	3-Step MacAdam
IP Rating	IP65
Impact Resistance	IK08

Fixture Dimensions



ORDERING INFORMATION

Example: LNMO30PARDHBDZP.US. Accessories / Power Supplies ordered separately.

LNMO4	0PAAD		BDZ		US
Model No.	Optics	CCT	BDZ	Finish	
LNMO4	0PAAD - Extra Clear Diffuse	Y - 2700K H - 3000K N - 4000K	BDZ	G - Black S - Black/Copper P - Black/Green R - Black/Silver L - Graphite V - Oxide	US

Job Name/Date:

Fixture Type Designation:

SUGGESTED POWER SUPPLIES

700mA

Part Number	Description	Input/Output	# of Fixtures
PPLT00480-P	0-10V Dimming to 1.0%	120-277VAC to 700mA, 30W, Class 2, DAMP	1-1
PPLT00261	Leading / Trailing Edge Dimmable to 10% (120V only)	120-277VAC to 700mA, 32W, Class 2	1-1
PPLT00467-P	0-10V Dimming to 1.0%	120VAC to 700mA, 50W, Class 2, DAMP	1-1

Suggested Lutron Compatible

Part Number	Option	Lutron SKU	Dim Range	Description	Input/Output	# of Fixtures
PPLT00181	L3DAE / L3DA3W	L3DA	100%-1%	Hi-Lume™ 1% EcoSystem™ or 1% 3-Wire LED Driver	120-277VAC to 700mA, 38W, Class 2	1-1

For other power supply options consult factory.

ACCESSORIES - Installation

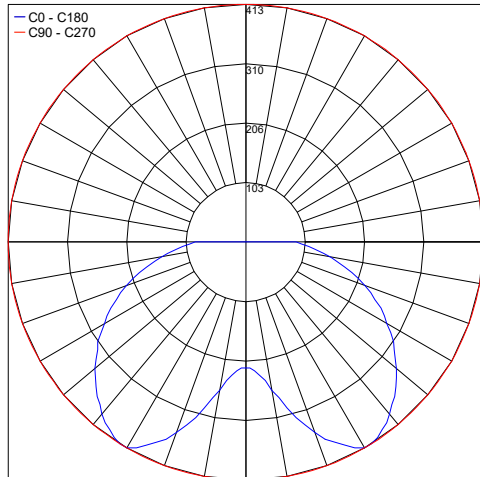
00596

Corner Bracket

PHOTOMETRIC DATA

3000K

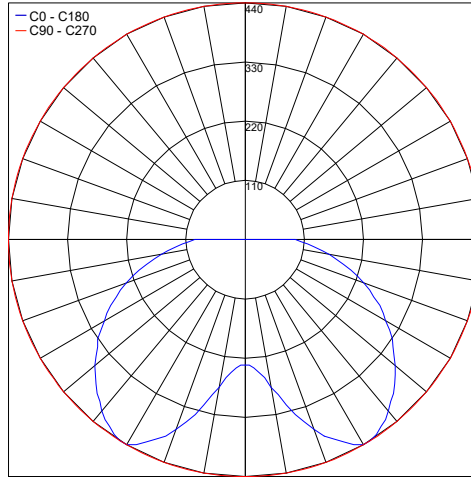
Maximum Candela = 412.9



PHOTOMETRIC FILENAME : MORPHIS 2 3000K MO40XXXDHB10X.IES

4000K

Maximum Candela = 439.7



PHOTOMETRIC FILENAME : MORPHIS 2 4000K MO40XXXDHB10X.IES

Job Name/Date:

Fixture Type Designation: