

MORPHIS 3 WALL

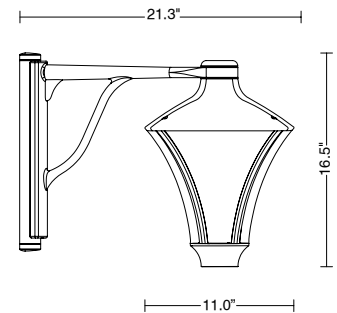
Morphis 3 Wall is a wall mounted LED lamp that is the perfect solution for porches and external facades of homes and outdoor areas. It comes with an extra clear polycarbonate diffusing lens and is available in 6 standard finishes.



TECHNICAL DATA

Wattage	30W
Power Supply	Remote 700mA, not included. See page 2.
Construction	Body: Die-Cast Aluminum Lens: Extra-Clear Polycarbonate
CCT	2700K, 3000K, 4000K
BUG Rating	B1-U3-G1
CRI	>90
Delivered Lumens	1700 lm (3000K) 1800 lm (4000K)
Efficacy	56.7 lm/W (3000K)
Optics	Diffuse
Finishes	6 Standard, See Below
Fixture Dimensions	21.3" l x 11.0" w x 16.5" h
Lumen Maintenance	L80, B15 >60,000hrs (Ta 40°C)
Color Consistency	3-Step MacAdam
IP Rating	IP65
Impact Resistance	IK08

Fixture Dimensions



ORDERING INFORMATION

Example: LNMO41PABDHBDZP.US. Accessories / Power Supplies ordered separately.

LNMO4	1PABD		BDZ		US
Model No.	Optics	CCT	BDZ	Finish	US
LNMO4	1PABD - Extra Clear Diffuse	Y - 2700K H - 3000K N - 4000K	BDZ	G - Black S - Black/Copper P - Black/Green R - Black/Silver L - Graphite V - Oxide	US

Job Name/Date:

Fixture Type Designation:

SUGGESTED POWER SUPPLIES

700mA

Part Number	Description	Input/Output	# of Fixtures
PPLT00480-P	0-10V Dimming to 1.0%	120-277VAC to 700mA, 30W, Class 2, DAMP	1-1
PPLT00261	Leading / Trailing Edge Dimmable to 10% (120V only)	120-277VAC to 700mA, 32W, Class 2	1-1
PPLT00467-P	0-10V Dimming to 1.0%	120VAC to 700mA, 50W, Class 2, DAMP	1-1

Suggested Lutron Compatible

Part Number	Option	Lutron SKU	Dim Range	Description	Input/Output	# of Fixtures
PPLT00181	L3DAE / L3DA3W	L3DA	100%-1%	Hi-Lume™ 1% EcoSystem™ or 1% 3-Wire LED Driver	120-277VAC to 700mA, 38W, Class 2	1-1

For other power supply options consult factory.

ACCESSORIES - Installation

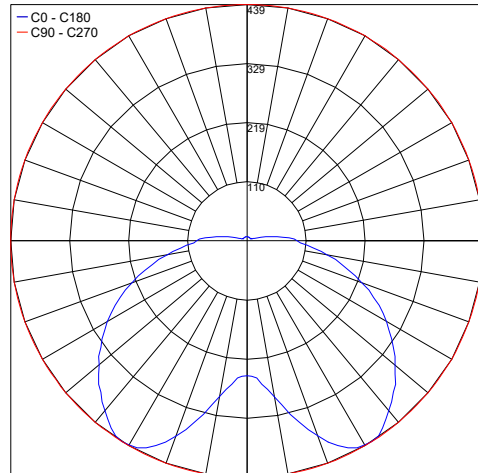
00596

Corner Bracket

PHOTOMETRIC DATA

3000K

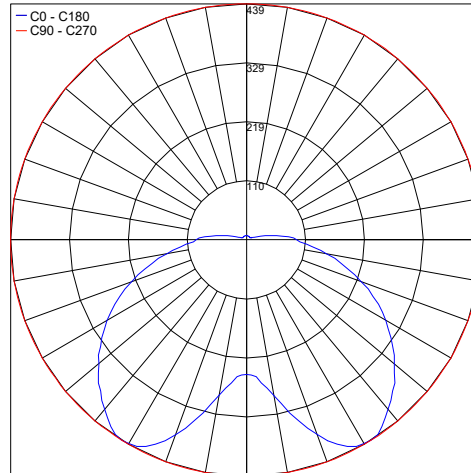
Maximum Candela = 438.6



PHOTOMETRIC FILENAME : MORPHIS 3 3000K MO40_1XXDXHB10X.IES

4000K

Maximum Candela = 438.6



PHOTOMETRIC FILENAME : MORPHIS 3 4000K MO40_1XXDXNB10X.IES

Job Name/Date:

Fixture Type Designation: