

# MORPHIS 4 WALL

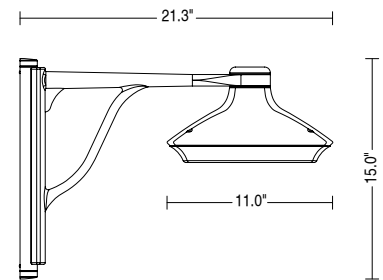
Morphis 4 Wall is an IP65-rated, wall mounted LED lamp with a 90° arm that is the perfect solution for a variety of outdoor settings. It comes with an opal polycarbonate diffused lens and is available in 6 standard finishes.



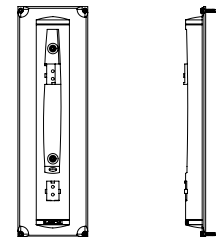
## TECHNICAL DATA

<b>Wattage / Input</b>	30W (700mA)
<b>Power Supply</b>	Remote, not included. See page 2.
<b>Construction</b>	Body: Die-Cast Aluminum Lens: Opal Polycarbonate
<b>CCT</b>	2700K, 3000K, 4000K
<b>CRI</b>	>90
<b>BUG Rating</b>	B1-U1-G1
<b>Delivered Lumens</b>	1550 lm (3000K)
<b>Efficacy</b>	44 lm/W (3000K)
<b>Optics</b>	Diffuse
<b>Finishes</b>	6 Standard, See Below
<b>Fixture Dimensions</b>	21.3" l x 15.0" w x 11.0" head
<b>Lumen Maintenance</b>	L80, B15 >60,000hrs (Ta 40°C)
<b>Color Consistency</b>	3-Step MacAdam
<b>IP Rating</b>	IP65
<b>Impact Resistance</b>	IK08

Fixture Dimensions



Backplate - see drawing page 2



## ORDERING INFORMATION

Example: LNMO42PABDHBZP.US. Accessories / Power Supplies ordered separately.

LNMO42	PABD		BDZ		US
<b>Model No.</b>	<b>Optics</b>	<b>CCT</b>	<b>BDZ</b>	<b>Finish</b>	<b>US</b>
LNMO42	PABD - Extra Clear Diffuse	Y - 2700K H - 3000K N - 4000K		G - Black S - Black/Copper P - Black/Green R - Black/Silver L - Graphite V - Oxide	US

Job Name/Date:

Fixture Type Designation:

## SUGGESTED POWER SUPPLIES

700mA

Part Number	Description	Input/Output	# of Fixtures
<a href="#">PPLT00480-P</a>	0-10V Dimming to 0.1%	120-277VAC to 700mA, 30W, Class 2, DAMP	1-1
<a href="#">PPLT00261</a>	Leading / Trailing Edge Dimming to 10% (120V only)	120-277VAC to 700mA, 32W, Class 2	1-1
<a href="#">PPLT00467-P</a>	0-10V Dimming to 1.0%	120-277VAC to 700mA, 50W, Class 2, DAMP	1-1

## Suggested Lutron Compatible

Part Number	Option	Lutron SKU	Dim Range	Description	Input/Output	# of Fixtures
<a href="#">PPLT00181</a>	L3DAE / L3DA3W	L3DA	100%-1%	Hi-Lume™ 1% EcoSystem™ or 1% 3-Wire LED Driver	120-277VAC to 700mA, 38W, Class 2	1-1

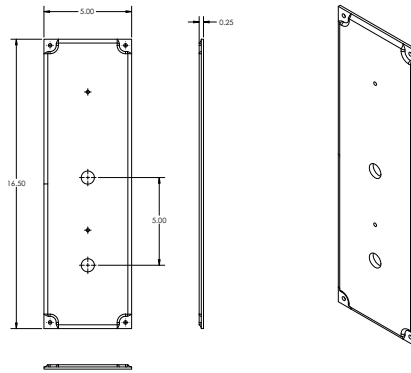
For other power supply options consult factory.

## ACCESSORIES - Installation



**00596**

Corner Bracket

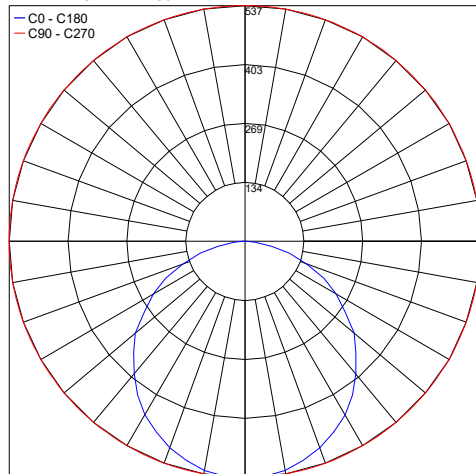


**Wall Plate - Included**

## PHOTOMETRIC DATA

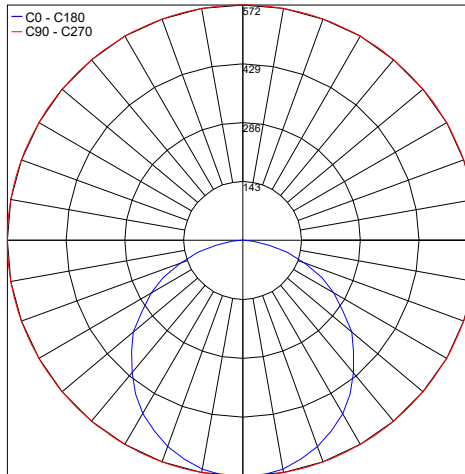
Note: All photometric data is 3000K

Maximum Candela = 537.1



PHOTOMETRIC FILENAME : MORPHIS 4 WALL 3000K MO42XXDXHB10X.IES

Maximum Candela = 572



PHOTOMETRIC FILENAME : MORPHIS 4 WALL 4000K MO42XXDXNB10X.IES

Job Name/Date:

Fixture Type Designation: