



LED spotlight C2-S with single lens

description:

LED spotlight for installation in display cases,
360° rotatable, 180° swivelling,
with screw base or magnetic base

housing color:

aluminum anodized black, silver, gold
(other surface finishing on request)

optics:

14°, 25°, 60°, 40°+ 15°

light color (+/- 100K):

2700K, 3000K, 3500K, 4000K, 5700K

high power LED, high CRI DIN EN 55015:2013,
lifetime 50,000 hours | basis of lifetime L80B10

max. luminous flux (3000K | standard lens 25°):

260lm at 4.5W (58 lm/W)

power input: constant current up to max. 1200 mA

allowed LED driver:

LED driver for the Micro Jolly, Mini Jolly,
Maxi Jolly by TCI with constant current
(other LED driver on request)

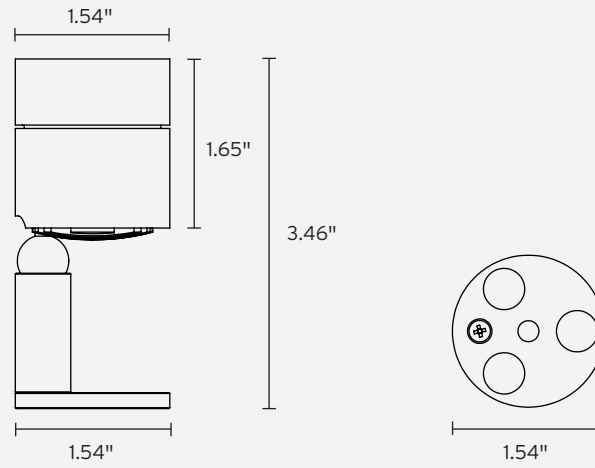
dimming: see drivers

protection class: IP20

optional accessory:

honeycomb grid, anti-glare tube, inclined tube,
light diffusion foil, barn door

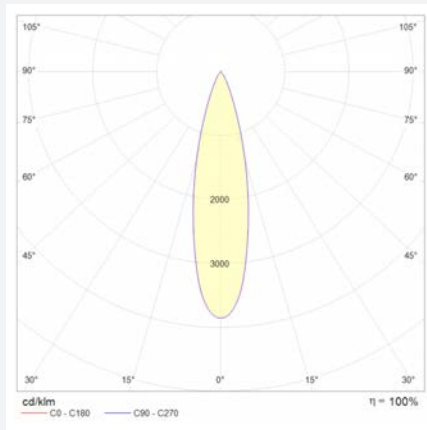
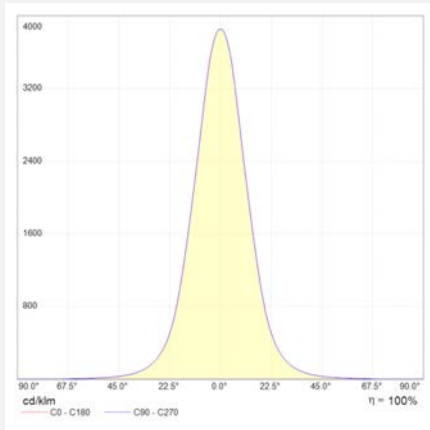
dimensions



specification in inches

photometry

for light color 3000K | standard lens 25° | color rendering index typ. 97, R9 > 90, R12 > 90 | color variation ≤ 3 SDCM



technical changes reserved | May 2021



LED spotlight C2-S with triple lens

description:

LED spotlight for installation in display cases,
360° rotatable, 180° swivelling,
with screw base or magnetic base

housing color:

aluminum anodized black, silver, gold
(other surface finishing on request)

optics:

18°, 25°, 32°, 67°

light color (+/- 100K):

2700K, 3000K, 3500K, 4000K, 5700K

high power LED, high CRI DIN EN 55015:2013,
lifetime 50,000 hours | basis of lifetime L80B10

max. luminous flux (3000K | standard lens 25°):

310 lm at 4.5 W (69 lm/W)

power input: constant current up to max. 470 mA

allowed LED driver:

LED driver for the Micro Jolly, Mini Jolly,
Maxi Jolly by TCI with constant current
(other LED driver on request)

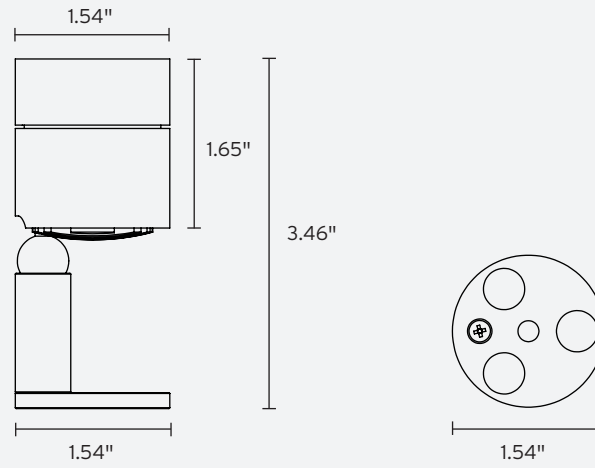
dimming: see drivers

protection class: IP20

optional accessory:

honeycomb grid, anti-glare tube, inclined tube,
light diffusion foil, barn door

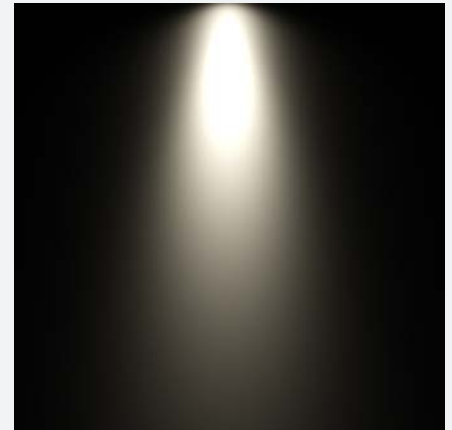
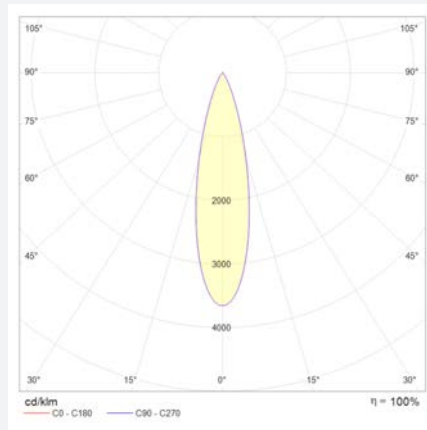
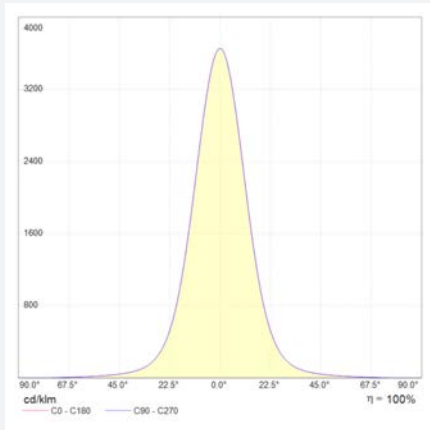
dimensions



specification in inches

photometry

for light color 3000K | standard lens 25° | color rendering index typ. 97, R9 > 90, R12 > 90 | color variation ≤ 3 SDCM



technical changes reserved | May 2021