



INSTRUCTIONS PERTAINING TO RISK OF FIRE OR INJURY TO PERSONS. READ ALL INSTRUCTIONS. IMPORTANT SAFETY INSTRUCTIONS. SAVE THESE INSTRUCTIONS.

DANGER - RISK OF SHOCK - DISCONNECT POWER BEFORE INSTALLATION! Please read all instructions before installation.

- Keep these instructions for future reference.
- Must be installed by a qualified electrician in accordance with national and local standards. Designplan is not responsible for fixtures installed without regard to these standards.
- Unauthorized alterations or tampering of product voids warranty.
- The main power connection must be in accordance with local electrical codes.
- Suitable for OUTDOOR applications.



IP65/ IP67

Electrical Connections:

- LED lights must be **connected in parallel** respecting polarities.
- **CHOOSE POWER SUPPLY ACCORDINGLY.** Please consider the voltage through which fixtures are fed as well as the max power consumption.
- **Connect power only if all the fixtures are connected.**
- The power supplies **MUST** be installed in aerated rooms, far from heat sources. Overworking or lack of air circulation will not permit natural dissipation.
- Use only Class 2 type electronic power supply.
- Never use switches on secondary circuit.

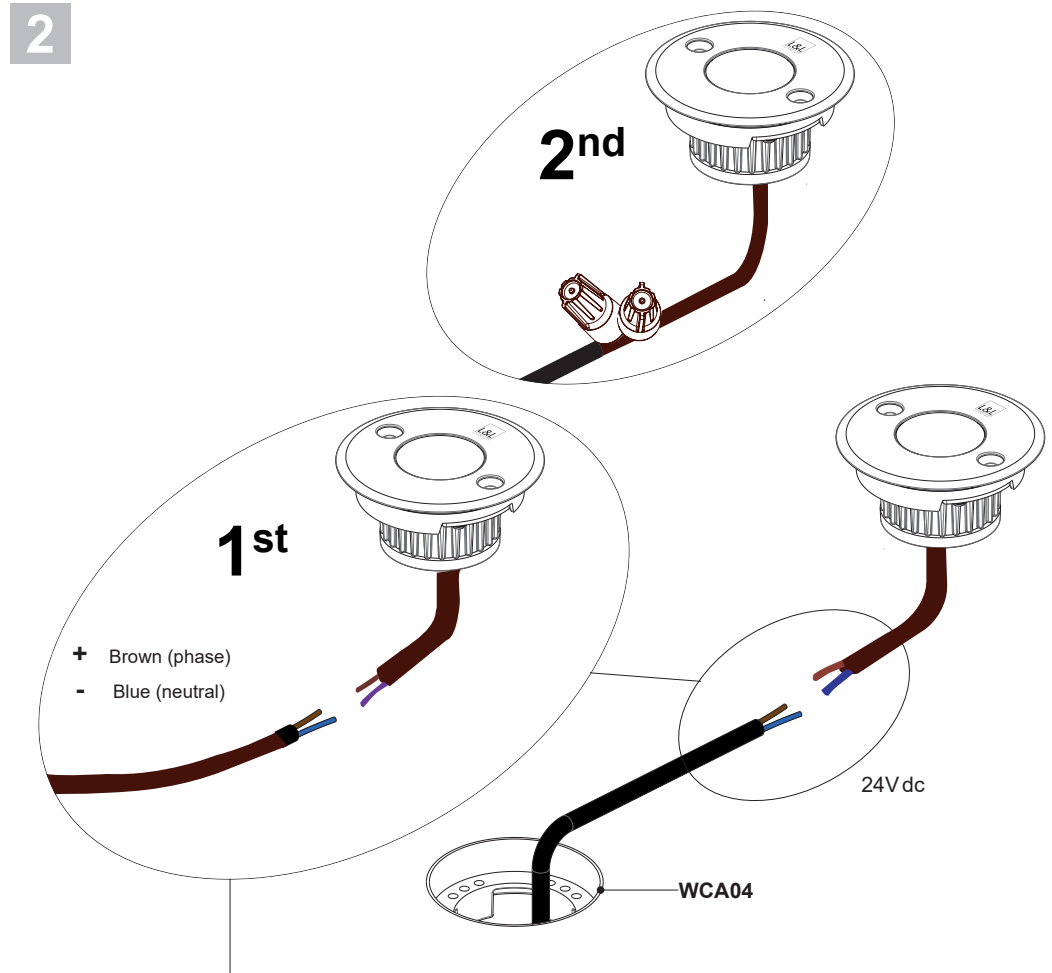
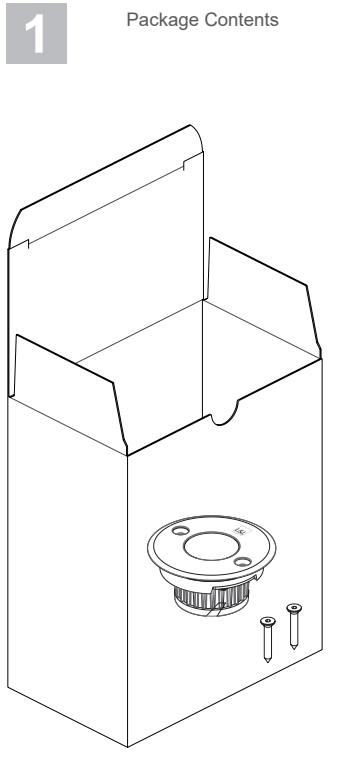
ATTENTION: For In-Grade - It is the contractor's responsibility to seal the conduit with "Great Stuff" aerosol seal that prevents water and moisture penetration for ultimate protection. Contractor **MUST** use gel-filled wire nuts.

It is the contractor's responsibility to caulk around all the edges between the fixture and the mounting surface, to satisfy wet label requirements.

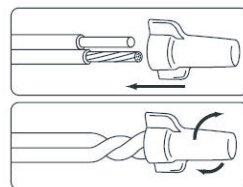
Maintenance

Scheduled maintenance must be carried out once a year on all lighting devices, regardless of appliance class and type of use. It must include the following operations:

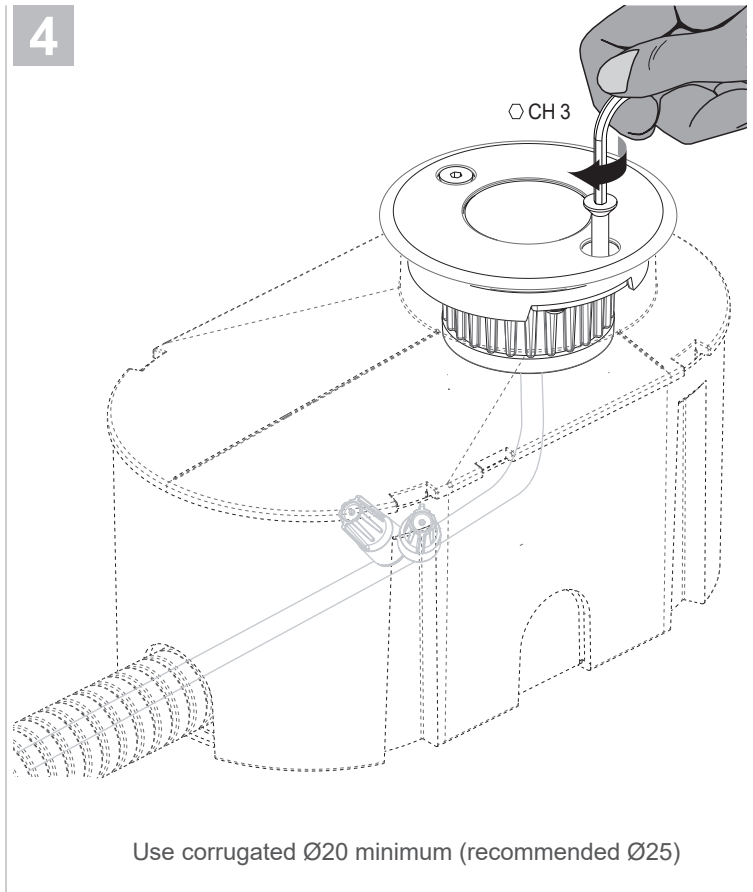
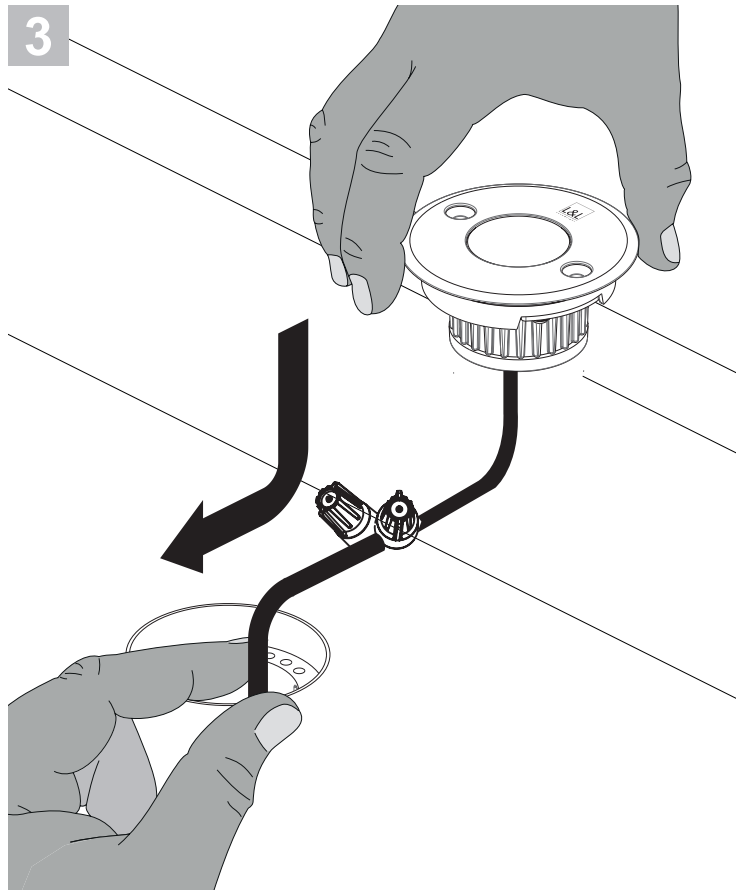
- Periodically clean fixtures to remove dirt from gratings and screw heads.
- Check tightness of screws on various parts of the device.
- Check that all cable glands and cables are intact and tight. Check that the glass or plastic lens is intact, and replace it if broken or damaged.
- The internal components such as the ballast, driver, washers and screws must not show clear signs of oxidation or rust. Clear traces of rust and oxidation will indicate the presence of water inside the device.
- In the case of damage, the components must be replaced by original components or spare parts.



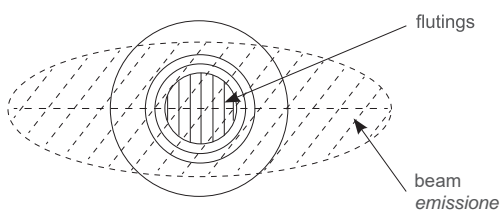
Use gel-filled waterproof wire-nuts for wire connections.



- It is the contractor's responsibility to caulk around all the edges between the fixture and the mounting surface, to satisfy wet label requirements.

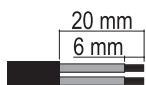


Use corrugated Ø20 minimum (recommended Ø25)



ELLIPTICAL LENS POSITION

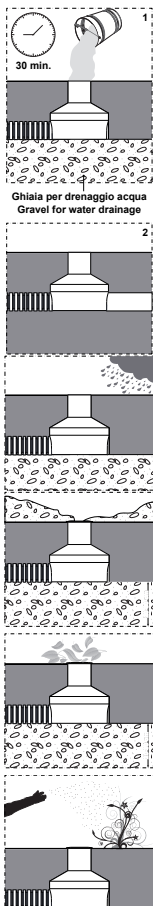
Note the fluting on the lens.
If installing more than one fixture, check that it is in the same position on each one.



H07RN-F

1,00 mm²

Only use power cables with an outer sheath. Do not use individual wires in input. Only use flexible cables in <HAR> rubber with an appropriate diameter [such as H07RN-F 2x1,0 Ø10 mm). Do not use rigid cables and/or ones with metal core insulation.

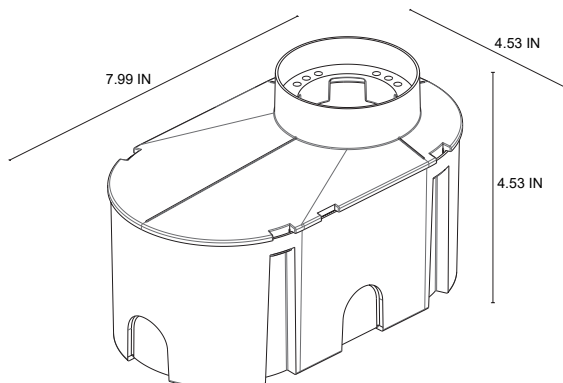


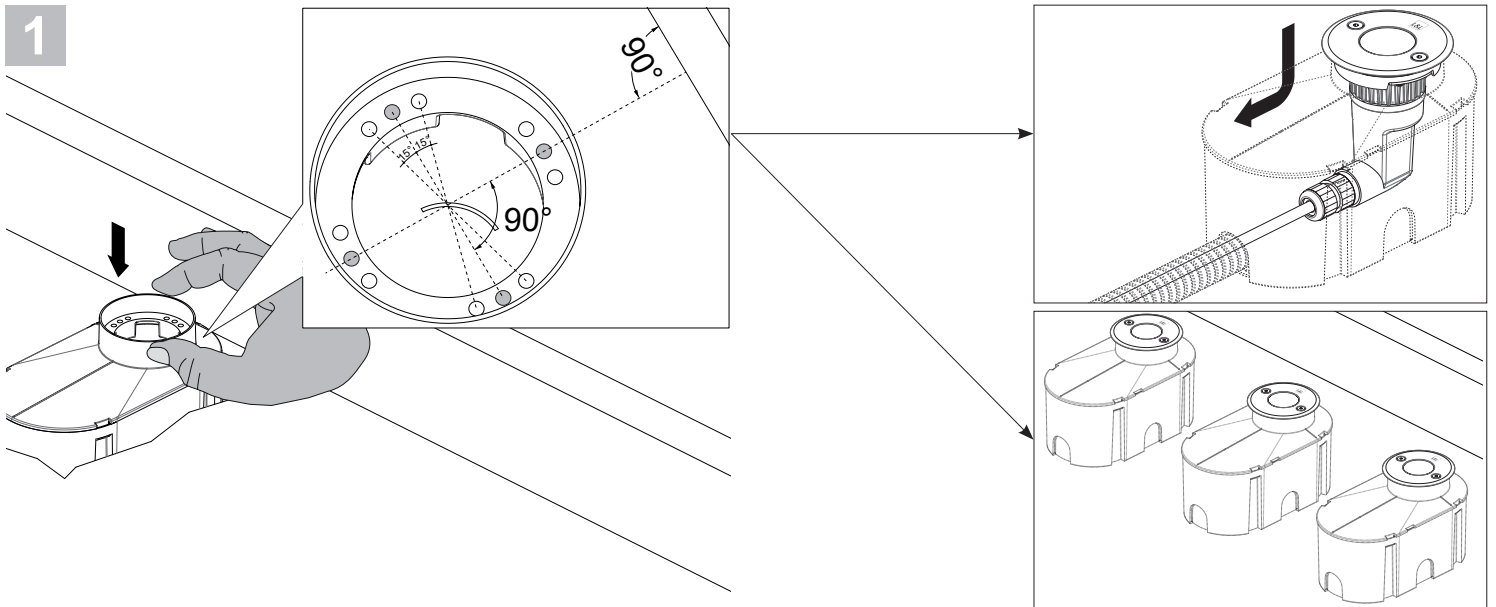
Prepare always 20-30 cm of drainage gravel and check tht it works.: fill the tube of water and check that it completely disappear whitin 30 min. (1). If it doesn't work study a further drainage system (2).

Ghiala per drenaggio acqua
Gravel for water drainage

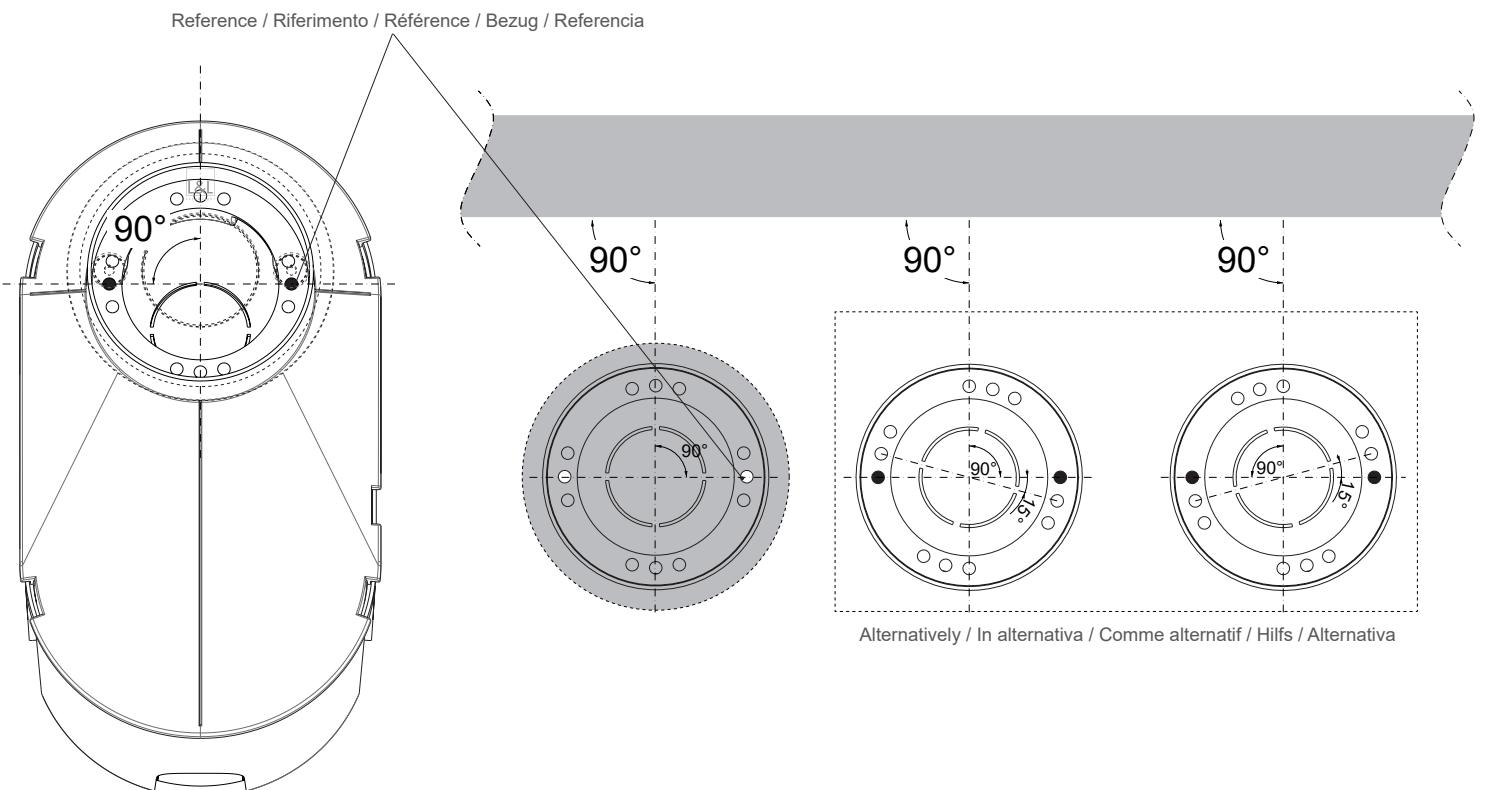
Never install product in conditions of rain, fog or high humidity.

Never cover the visible parts of the product. Any metal part must not be in direct contact with the ground or in contact with aggressive chemical elements (ex. fertilisers, herbicides, lime, aggressive cleaners).

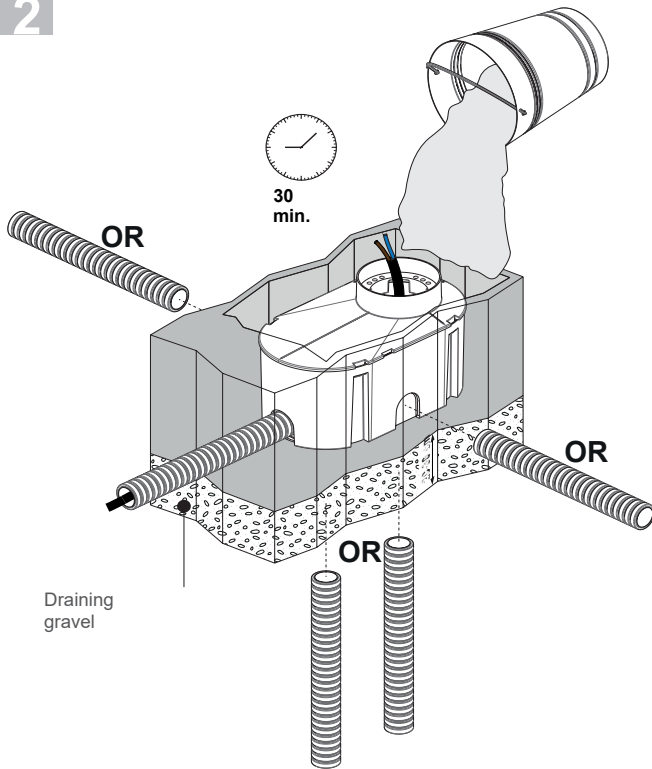




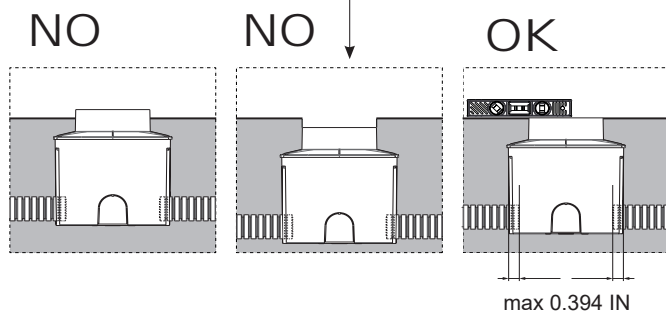
LAMPS ALIGNMENT



2

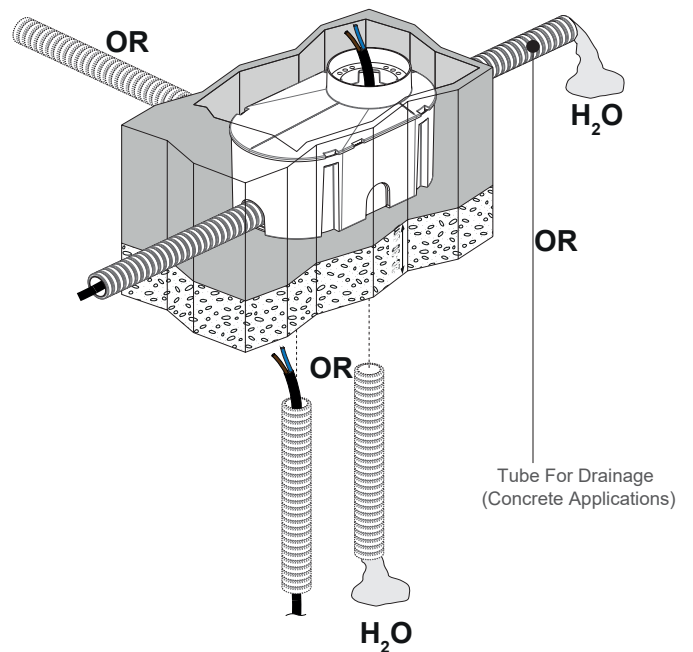
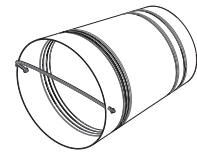


Position flush to the finished floor!

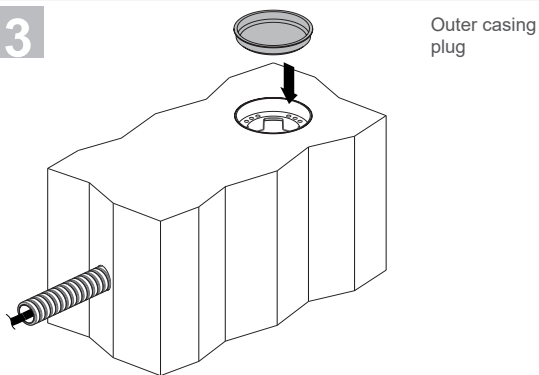


OR

Concrete

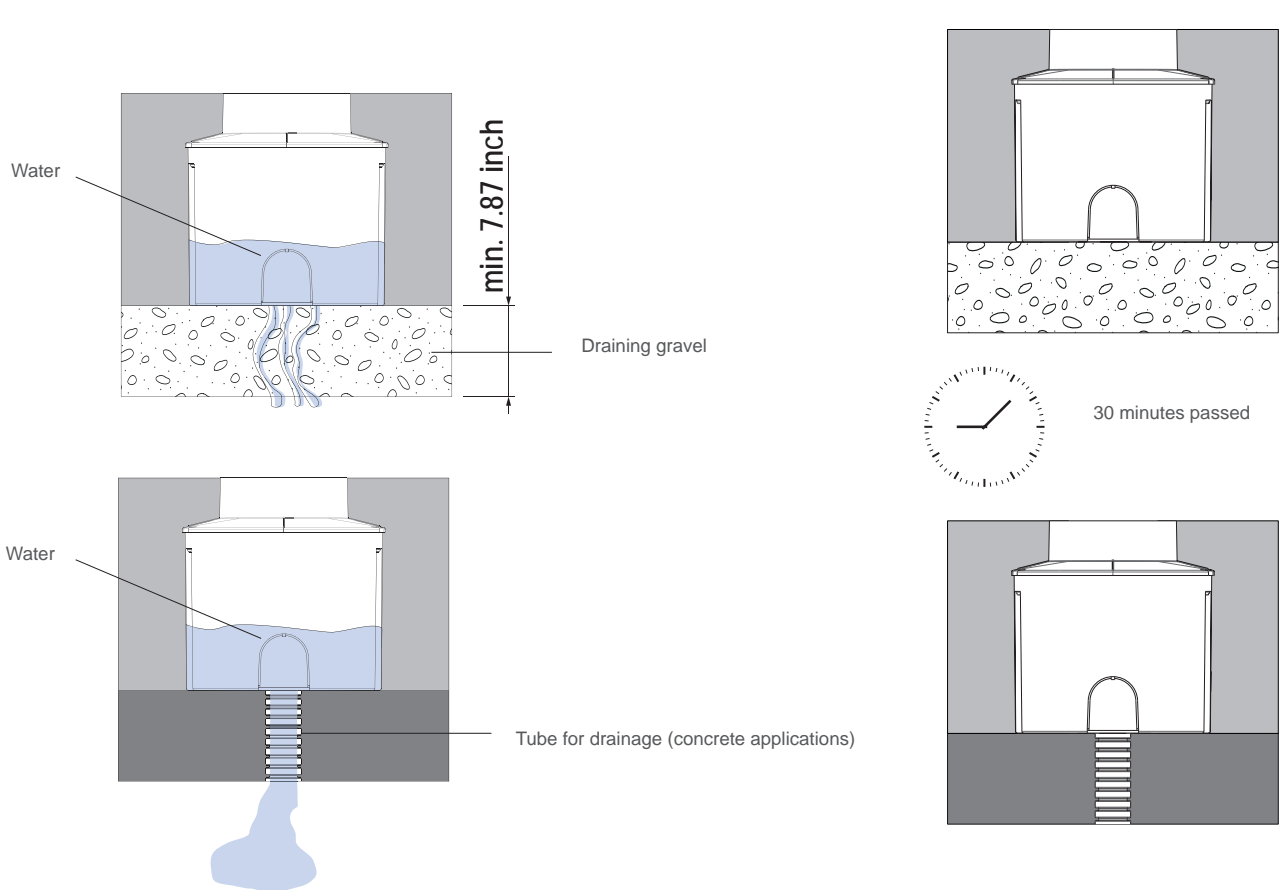


3

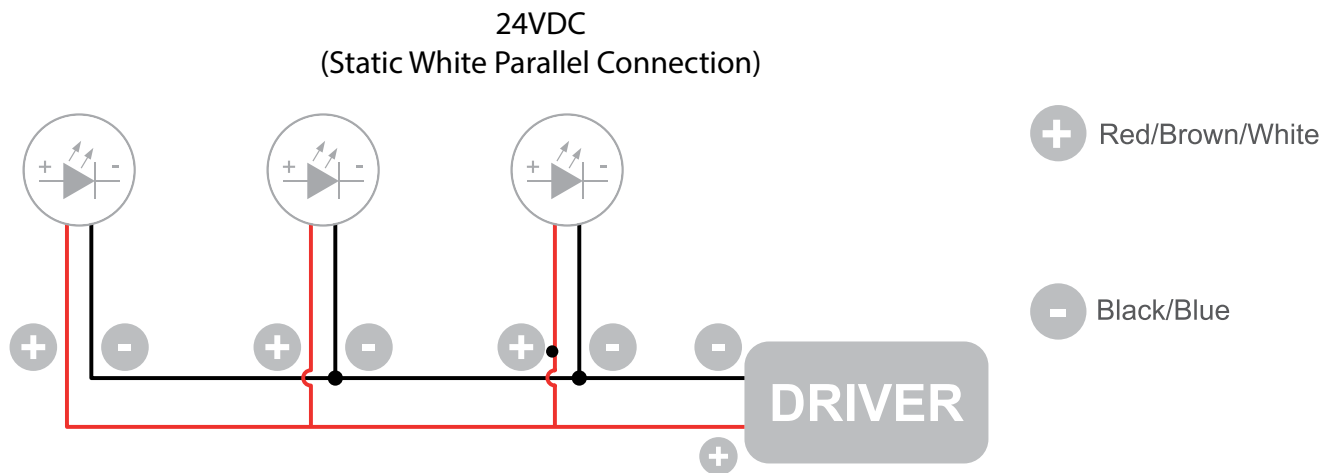


4 TEST DRAINAGE

The luminaire must not sit in water. To avoid this you must carry out a drainage test. For this we recommend using a hose pipe to fill the outer casing with water. The water must drain within 30 mins. If the water does not drain in 30 mins, improve drainage until this is passed.



Wiring Diagram



The individual lamps must be connected in parallel. Only power up the system once all the lamps have being connected.

- Only power up the system once all the lamps are connected. Connecting an individual lamp to an active power supply may cause the lamp to break due to over-voltage.
- Lamps and power supply units must be installed in well-ventilated boxes or locations to allow a natural heat diffusion and avoid the devices overheating.
- On the power system, install a surge protection device to reduce the intensity of any voltage spikes to protect the lighting fixtures from the risk of damage.
- Fixture NOT suitable for covering with thermally insulating material.