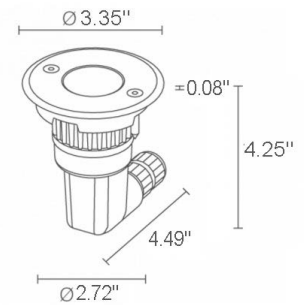


The Corso 1.0 is a small, strong recessed outdoor uplight with an IP67 protection rating and a heat-dissipating body that provides excellent resistance to corrosion even in harsh (saline) environments. It is available in 2 color temperatures and 3 optical options - driveover rated up to 1100 lbs.



Cut-out Dimensions: Ø2.80"

Fixture Dimensions



TECHNICAL DATA

| | |
|---------------------------|--|
| Wattage / Input | 3.5W (24VDC) |
| Power Supply | Remote, not included. See page 2, |
| Construction | Body: Thermally Conductive Technopolymer Trim: AISI 316L Stainless Steel Lens: Transparent Extra-Clear Glass |
| CCT | 3000K, 4000K (2700K on request) |
| BUG Rating | B0-U3-G0 (3000K, All optics) |
| CRI | >80 |
| Delivered Lumens | 178 lm (3000K, 13°) |
| Efficacy | 50.9 lm/W (3000K, 13°) |
| Optics | 13°, 28°, 37° |
| Finishes | (4 Stage Marine Grade Finish) |
| Fixture Dimensions | Ø3.35" x 4.25" h |
| Cut-out Dimensions | Ø2.80" |
| Fixture Weight | 0.88 lbs |
| LED Source | 1 Power LED |
| Lumen Maintenance | L90, B10 >50,000 hrs (Ta 25°C) |
| Color Consistency | 1/4 ANSI BIN |
| Operating Temp. | -4°F to +113°F |
| IP Rating | IP67, IP65 |
| IK Rating | IK08 |
| Driveover Capacity | Up to 1102 lbs |

ORDERING INFORMATION

Example: CR1010000050LI. Accessories ordered separately.

| CR1010 | | | |
|-----------|---------------------------------|--------------------------|----------------------------------|
| Model No. | Optical Accessories | CCT | Optics |
| CR1010 | 0000 - None 0001 - Honeycomb | 50 - 3000K 90 - 4000K | SI - 13° MI - 28° LI - 37° |

Job Name/Date:

Fixture Type Designation:

SUGGESTED POWER SUPPLIES

24VDC

| Part Number | Description | Input/Output | # of Fixtures |
|---------------------------|---|------------------------------------|---------------|
| PPLT00543 | 0-10V Dimming to 15% (-40°C / -40°F cold weather start) | 120-277VAC to 24VDC, 100W, Class 2 | 3-22 |
| PPLT00284 | Non-Dim | 120-277VAC to 24VDC, 100W, Class 2 | 1-22 |

Suggested Lutron Compatible

| Part Number | Option | Lutron SKU | Dim Range | Description | Input/Output | # of Fixtures |
|---------------------------|----------------|------------|-----------|--|-----------------------------------|---------------|
| PPLT00530 | L3DAE / L3DA3W | L3DA | 100%-1% | Hi-Lume™ 1% EcoSystem™ or 1% 3-Wire LED Driver | 120-277VAC to 24VDC, 96W, Class 2 | 1-21 |

DRIVERS IN NEMA 4X ENCLOSURE

Remote 24VDC - ELV / TRIAC / 0-10V



PPLT00715

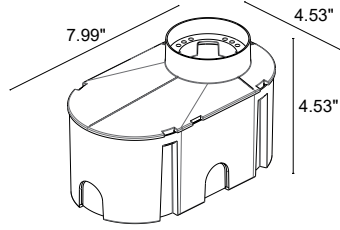
| Part Number | Description | Input/Output | # of Fixtures |
|---------------------------|-------------------------------------|---|---------------|
| PPLT00715 | ELV / TRIAC / 0-10V Dimming to 0.1% | 120-277VAC to 24VDC, 96W, Class 2, WET/DAMP | 1-21 |

For other power supply options consult factory.

Job Name/Date:

Fixture Type Designation:

ACCESSORIES - Installation

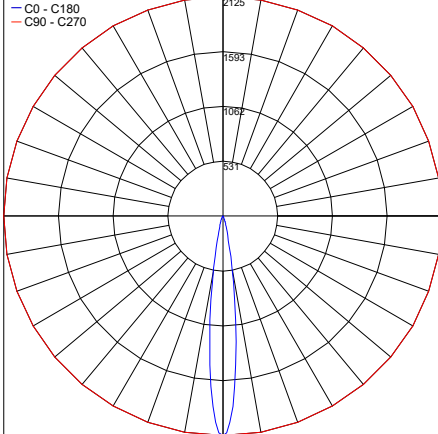


WCA04
Outer Casing
For in-grade use

PHOTOMETRIC DATA

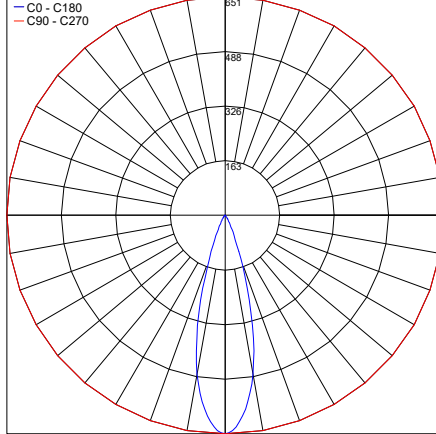
Note all Photometry is 3000K

Maximum Candela = 2124.6



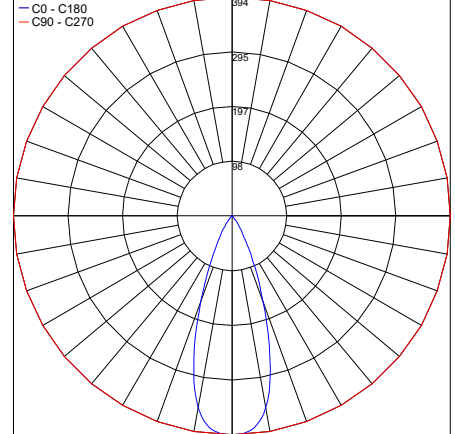
PHOTOMETRIC FILENAME : CORSO 1.0 S 13\"/>

Maximum Candela = 651.1



PHOTOMETRIC FILENAME : CORSO 1.0 M 28\"/>

Maximum Candela = 394



PHOTOMETRIC FILENAME : CORSO 1.0 L 37\"/>

Job Name/Date:

Fixture Type Designation: