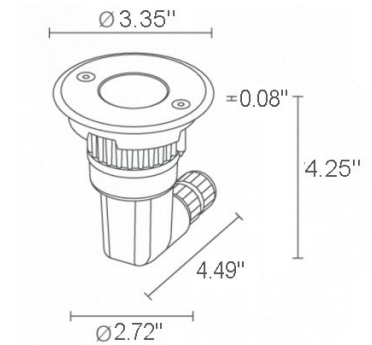


The Corso 1.0 is a small, strong recessed outdoor uplight with an IP67 protection rating and a heat-dissipating body that provides excellent resistance to corrosion even in harsh (saline) environments. It is available in 2 color temperatures and 3 optical options - driveover rated up to 1100 lbs.



Cut-out Dimensions: Ø2.80"

Fixture Dimensions



## TECHNICAL DATA

<b>Wattage / Input</b>	3.5W (24VDC)
<b>Power Supply</b>	Remote, not included. See page 2,
<b>Construction</b>	Body: Thermally Conductive Technopolymer Trim: AISI 316L Stainless Steel Lens: Transparent Extra-Clear Glass
<b>CCT</b>	3000K, 4000K (2700K on request)
<b>BUG Rating</b>	B0-U3-G0 (3000K, All optics)
<b>CRI</b>	>80
<b>Delivered Lumens</b>	178 lm (3000K, 13°)
<b>Efficacy</b>	50.9 lm/W (3000K, 13°)
<b>Optics</b>	13°, 28°, 37°
<b>Finishes</b>	—
<b>Fixture Dimensions</b>	Ø3.35" x 4.25" h
<b>Cut-out Dimensions</b>	Ø2.80"
<b>Fixture Weight</b>	0.88 lbs
<b>LED Source</b>	1 Power LED
<b>Lumen Maintenance</b>	L90, B10 >50,000 hrs (Ta 25°C)
<b>Color Consistency</b>	1/4 ANSI BIN
<b>Operating Temp.</b>	-4°F to +113°F
<b>IP Rating</b>	IP67, IP65
<b>IK Rating</b>	IK08
<b>Driveover Capacity</b>	Up to 1102 lbs

## ORDERING INFORMATION

Example: CR1010000050LI. Accessories ordered separately.

CR1010			
Model No.	Optical Accessories	CCT	Optics
CR1010	0000 - None 0001 - Honeycomb	50 - 3000K 90 - 4000K	SI - 13° MI - 28° LI - 37°

Job Name/Date:

Fixture Type Designation:

## SUGGESTED POWER SUPPLIES 24VDC

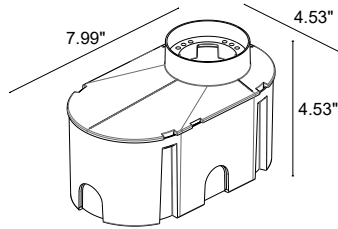
Part Number	Description	Input/Output	# of Fixtures
<a href="#">PPLT00128</a>	Non-Dim	120VAC to 24VDC, 6W, Class 2, IP65	1-1
<a href="#">PPLT00632</a>	0-10V Dimming (Dim to Off)	120-277VAC to 24VDC, 12W, Class 2, IP65	1-2
<a href="#">PPLT00709</a>	ELV / TRIAC & 0-10V Dimming	120-277VAC to 24VDC, 96W, Class 2, DAMP	1-21
<a href="#">PPLT00543</a>	0-10V Dimming to 15% (-40°C / -40°F cold weather start)	120-277VAC to 24VDC, 100W, Class 2	3-22

## Suggested Lutron Compatible

Part Number	Option	Lutron SKU	Dim Range	Description	Input/Output	# of Fixtures
<a href="#">PPLT00273</a>	L3DAE / L3DA3W	L3DA	100%-1%	Hi-Lume™ 1% EcoSystem™ or 1% 3-Wire LED Driver	120-277VAC to 24VDC, 40W, Class 2	1-9
<a href="#">PPLT00530</a>	L3DAE / L3DA3W	L3DA	100%-1%	Hi-Lume™ 1% EcoSystem™ or 1% 3-Wire LED Driver	120-277VAC to 24VDC, 96W, Class 2	1-21

For other power supply options consult factory.

## ACCESSORIES - Installation

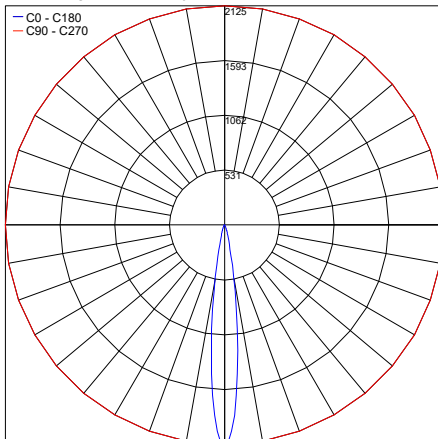


**WCA04**  
Outer Casing  
For in-grade use

## PHOTOMETRIC DATA

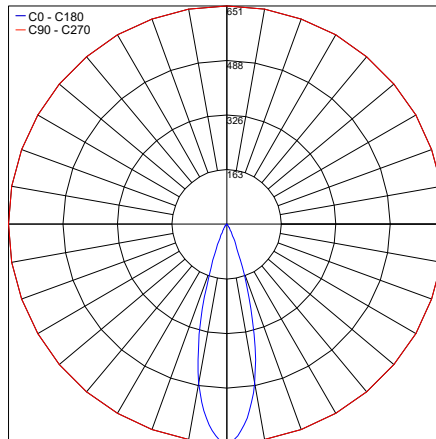
Note all Photometry is 3000K

Maximum Candela = 2124.6



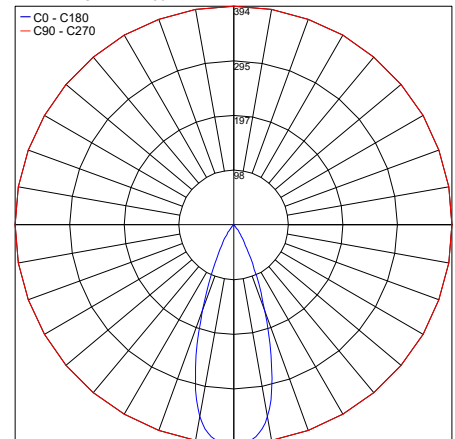
PHOTOMETRIC FILENAME : CORSO 1.0 S 13° [3000K 3.5W].IES

Maximum Candela = 651.1



PHOTOMETRIC FILENAME : CORSO 1.0 M 28° [3000K 3.5W].IES

Maximum Candela = 394



PHOTOMETRIC FILENAME : CORSO 1.0 L 37° [3000K 3.5W].IES

Job Name/Date:

Fixture Type Designation: