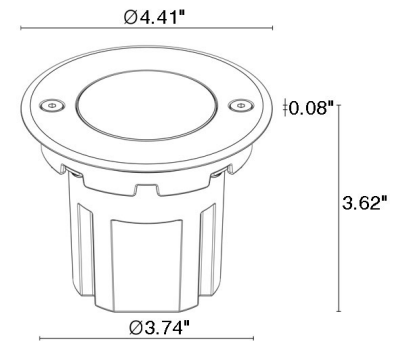


The Corso 2.0 is a strong, recessed outdoor uplight with an IP67 protection rating and a heat-dissipating body that provides excellent resistance to corrosion even in harsh (saline) environments. It is available in 2 color temperatures and 3 optical options - driveover rated up to 1100 lbs.



Cut-out Dimensions: Ø3.78"

Fixture Dimensions



TECHNICAL DATA

Wattage / Input	8W (24VDC)
Power Supply	Remote, not included. See page 2.
Construction	Body: Thermally Conductive Technopolymer Trim: AISI 316L Stainless Steel Lens: Transparent Extra-Clear Glass
CCT	3000K, 4000K (2700K on request)
BUG Rating	B0-U3-G0 (3000K, 12°, 70°)
CRI	>80
Delivered Lumens	504 lm (3000K, 36°)
Efficacy	63 lm/W (3000K, 36°)
Optics	12°, 36°, 70°
Finishes	—
Fixture Dimensions	Ø4.41" x 3.62" h
Cut-out Dimensions	Ø3.78"
Fixture Weight	1.54 lbs
LED Source	1 High Intensity Power LED
Lumen Maintenance	L90, B10 >50,000 hrs (Ta 25°C)
Color Consistency	3-Step MacAdam
Operating Temp.	-4°F to +113°F
IP Rating	IP67, IP65
IK Rating	IK08
Driveover rated	Up to 1102 lbs

ORDERING INFORMATION

Example: CR2010000050SI. Accessories ordered separately.

CR2010			
Model No.	Optical Accessories	CCT	Optics
CR2010	0000 - None 0001 - Honeycomb	50 - 3000K 90 - 4000K	SI - 12° MI - 36° LI - 70°

Job Name/Date:

Fixture Type Designation:

SUGGESTED POWER SUPPLIES

24VDC

Part Number	Description	Input/Output	# of Fixtures
PPLT00632	0-10V Dimming (Dim to Off)	120-277VAC to 24VDC, 12W, Class 2, IP65	1-1
PPLT00056	Non-Dim	120-277VAC to 24VDC, 26W, Class 2, IP66	1-2
PPLT00157	Non-Dim	120VAC to 24VDC, 60W, Class 2	1-6
PPLT00627	ELV/TRIAC & 0-10V dimming (100 to 0%)	120-277VAC to 24VDC, 96W, Class 2, IP67	1-9
PPLT00543	0-10V Dimming to 15% (-40°C / -40°F cold weather start)	120-277VAC to 24VDC, 100W, Class 2	1-10

For other power supply options consult factory.

ACCESSORIES - Installation



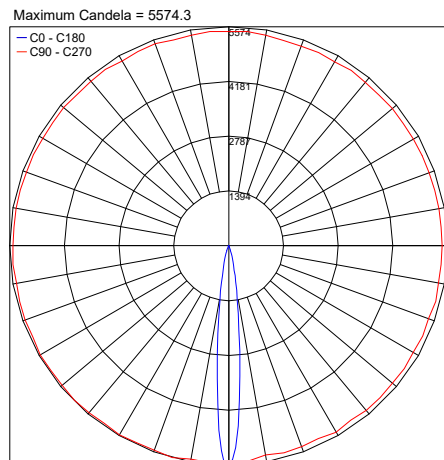
WC0105

Outer Casing

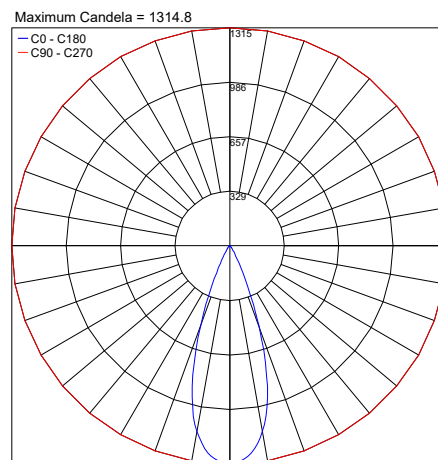
For in-grade use

PHOTOMETRIC DATA

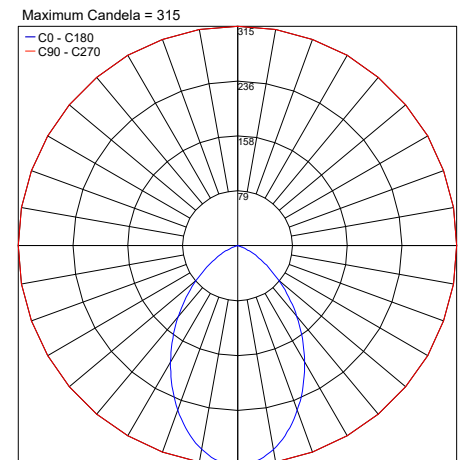
Note all Photometry is 3000K



PHOTOMETRIC FILENAME : CORSO 2.0 S 12° [3000K 8W].IES



PHOTOMETRIC FILENAME : CORSO 2.0 M 36° [3000K 8W].IES



PHOTOMETRIC FILENAME : CORSO 2.0 L 70° [3000K 8W].IES

Job Name/Date:

Fixture Type Designation: