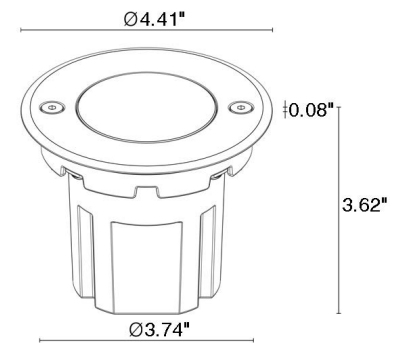


The Corso 2.0 is a strong, recessed outdoor uplight with an IP67 protection rating and a heat-dissipating body that provides excellent resistance to corrosion even in harsh (saline) environments. It is available in 2 color temperatures and 3 optical options - driveover rated up to 1100 lbs.



Cut-out Dimensions: Ø3.78"

Fixture Dimensions



## TECHNICAL DATA

<b>Wattage / Input</b>	8W (24VDC)
<b>Power Supply</b>	Remote, not included. See page 2.
<b>Construction</b>	Body: Thermally Conductive Technopolymer Trim: AISI 316L Stainless Steel Lens: Transparent Extra-Clear Glass
<b>CCT</b>	3000K, 4000K (2700K on request)
<b>BUG Rating</b>	B0-U3-G0 (3000K, 12°, 70°)
<b>CRI</b>	>80
<b>Delivered Lumens</b>	504 lm (3000K, 36°)
<b>Efficacy</b>	63 lm/W (3000K, 36°)
<b>Optics</b>	12°, 36°, 70°
<b>Finishes</b>	—
<b>Fixture Dimensions</b>	Ø4.41" x 3.62" h
<b>Cut-out Dimensions</b>	Ø3.78"
<b>Fixture Weight</b>	1.54 lbs
<b>LED Source</b>	1 High Intensity Power LED
<b>Lumen Maintenance</b>	L90, B10 >50,000 hrs (Ta 25°C)
<b>Color Consistency</b>	3-Step MacAdam
<b>Operating Temp.</b>	-4°F to +113°F
<b>IP Rating</b>	IP67, IP65
<b>IK Rating</b>	IK08
<b>Driveover Rated</b>	Up to 1102 lbs

## ORDERING INFORMATION

Example: CR2010000050SI. Accessories ordered separately.

CR2010			
Model No.	Optical Accessories	CCT	Optics
CR2010	0000 - None 0001 - Honeycomb	50 - 3000K 90 - 4000K	SI - 12° MI - 36° LI - 70°

Job Name/Date:

Fixture Type Designation:

## SUGGESTED POWER SUPPLIES

24VDC

Part Number	Description	Input/Output	# of Fixtures
<a href="#">PPLT00632</a>	0-10V Dimming (Dim to Off)	120-277VAC to 24VDC, 12W, Class 2, IP65	1-1
<a href="#">PPLT00056</a>	Non-Dim	120-277VAC to 24VDC, 26W, Class 2, IP66	1-2
<a href="#">PPLT00690</a>	ELV / TRIAC 0-10V Dimming	120-277VAC to 24VDC, 40W, Class 2, IP67	1-4
<a href="#">PPLT00543</a>	0-10V Dimming to 15% (-40°C / -40°F cold weather start)	120-277VAC to 24VDC, 100W, Class 2	2-10

## Suggested Lutron Compatible

Part Number	Option	Lutron SKU	Dim Range	Description	Input/Output	# of Fixtures
<a href="#">PPLT00273</a>	L3DAE / L3DA3W	L3DA	100%-1%	Hi-Lume™ 1% EcoSystem™ or 1% 3-Wire LED Driver	120-277VAC to 24VDC, 40W, Class 2	1-4
<a href="#">PPLT00530</a>	L3DAE / L3DA3W	L3DA	100%-1%	Hi-Lume™ 1% EcoSystem™ or 1% 3-Wire LED Driver	120-277VAC to 24VDC, 96W, Class 2	1-9

For other power supply options consult factory.

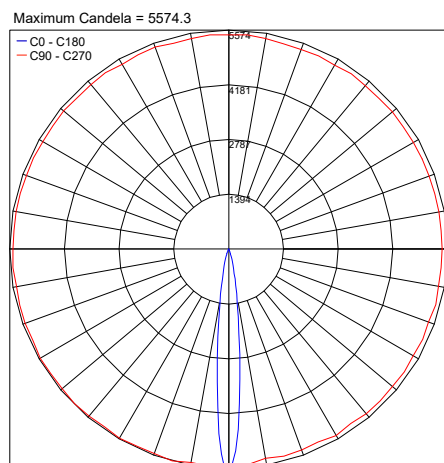
## ACCESSORIES - Installation



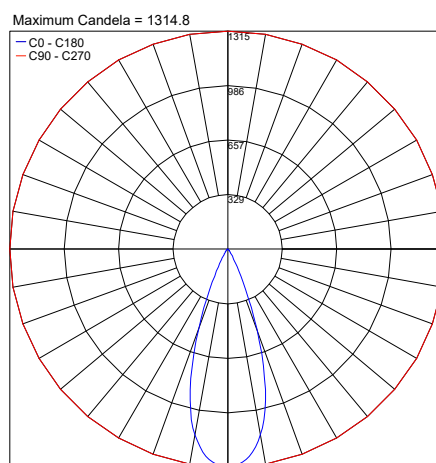
**WC0105**  
Outer Casing  
For in-grade use

## PHOTOMETRIC DATA

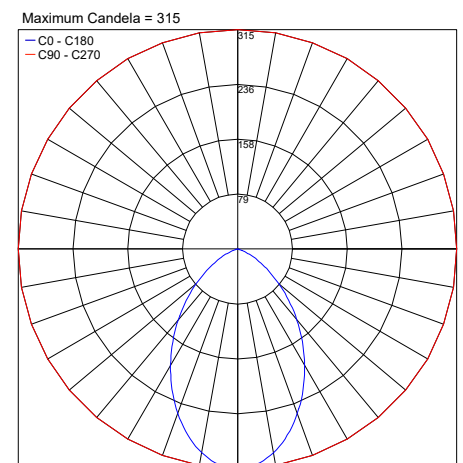
Note all Photometry is 3000K



PHOTOMETRIC FILENAME : CORSO 2.0 S 12° [3000K 8W]IES



PHOTOMETRIC FILENAME : CORSO 2.0 M 36° [3000K 8W]IES



PHOTOMETRIC FILENAME : CORSO 2.0 L 70° [3000K 8W]IES

Job Name/Date:

Fixture Type Designation: