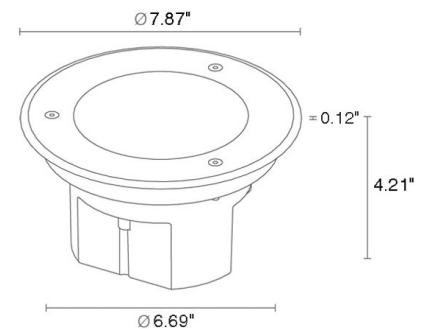


The Corso 4.0 is a strong, recessed outdoor uplight with an IP67 protection rating and a heat-dissipating body that provides excellent resistance to corrosion even in harsh (saline) environments. It is available in 2 color temperatures and 3 optical options - driveover rated up to 2205 lbs.



Cut-out Dimensions: Ø3.78"

Fixture Dimensions



TECHNICAL DATA

Wattage / Input	21W (24VDC)
Power Supply	Remote, not included. See page 2.
Construction	Body: Thermally Conductive Technopolymer Trim: AISI 316L Stainless Steel Lens: Serigraphed-Gray and Transparent Extra-Clear Glass
CCT	3000K, 4000K (2700K on request)
BUG Rating	B0-U5-G0 (3000K, All optics)
CRI	>80
Delivered Lumens	1740 lm (3000K, 13°)
Efficacy	82.9 lm/W (3000K, 13°)
Optics	13°, 38°, 71°
Finishes	—
Fixture Dimensions	Ø7.87" x 4.21" h
Cut-out Dimensions	Ø6.77"
Fixture Weight	3.86 lbs
LED Source	1 High Power Density COB LED
Lumen Maintenance	L90, B10 >50,000 hrs (Ta 25°C)
Color Consistency	3-Step MacAdam
Operating Temp.	-4°F to +113°F
IP Rating	IP67, IP65
IK Rating	IK08
Driveover rated	Up to 2205 lbs

ORDERING INFORMATION

Example: CR4010000050MI. Accessories ordered separately.

CR4010			
Model No.	Optical Accessories	CCT	Optics
CR4010	0000 - None 0001 - Honeycomb	50 - 3000K 90 - 4000K	SI - 13° MI - 38° LI - 71°

Job Name/Date:

Fixture Type Designation:

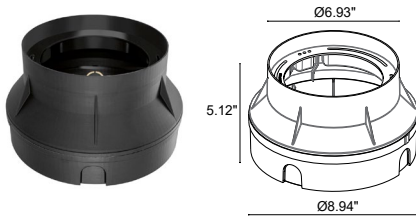
SUGGESTED POWER SUPPLIES

24VDC

Part Number	Description	Input/Output	# of Fixtures
PPLT00567	Non-Dim	120-277VAC to 24VDC, 36W, Class 2	1-1
PPLT00157	Non-Dim	120VAC to 24VDC, 60W, Class 2	1-2
PPLT00627	ELV/TRIAC & 0-10V dimming (100 to 0%)	120-277VAC to 24VDC, 96W, Class 2, IP67	1-3
PPLT00543	0-10V Dimming to 15% (-40°C / -40°F cold weather start)	120-277VAC to 24VDC, 100W, Class 2	1-3

For other power supply options consult factory.

ACCESSORIES - Installation



WCA03

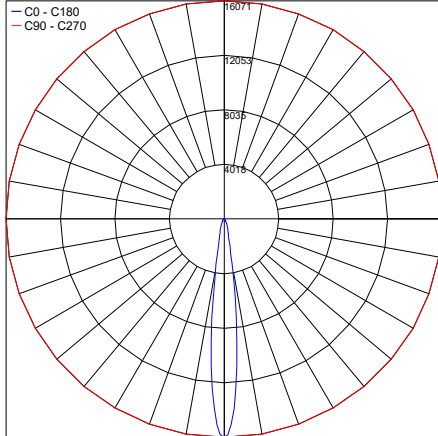
Outer Casing

For in-grade use

PHOTOMETRIC DATA

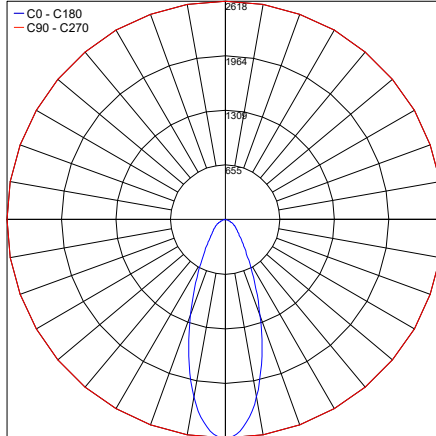
Note all Photometry is 3000K

Maximum Candela = 16070.8



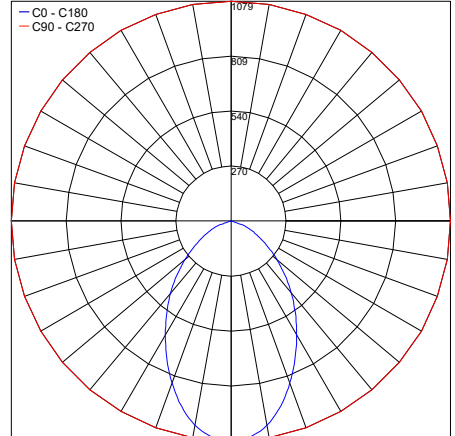
PHOTOMETRIC FILENAME : CORSO 4.0 S 13° [3000K 21W].IES

Maximum Candela = 2618



PHOTOMETRIC FILENAME : CORSO 4.0 M 38° [3000K 21W].IES

Maximum Candela = 1079.1



PHOTOMETRIC FILENAME : CORSO 4.0 L 71° [3000K 21W].IES

Job Name/Date:

Fixture Type Designation: