

The Corso 4.0 is a strong, recessed outdoor uplight with an IP67 protection rating and a heat-dissipating body that provides excellent resistance to corrosion even in harsh (saline) environments. It is available in 2 color temperatures and 3 optical options - driveover rated up to 2205 lbs.

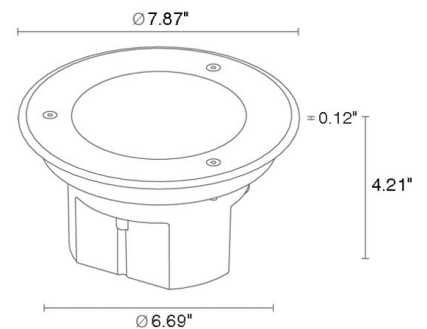
## TECHNICAL DATA

<b>Wattage / Input</b>	21W (24VDC)
<b>Power Supply</b>	Remote, not included. See page 2.
<b>Construction</b>	Body: Thermally Conductive Technopolymer Trim: AISI 316L Stainless Steel Lens: Serigraphed-Gray and Transparent Extra-Clear Glass
<b>CCT</b>	3000K, 4000K (2700K on request)
<b>BUG Rating</b>	B0-U5-G0 (3000K, All optics)
<b>CRI</b>	>80
<b>Delivered Lumens</b>	1740 lm (3000K, 13°)
<b>Efficacy</b>	82.9 lm/W (3000K, 13°)
<b>Optics</b>	13°, 38°, 71°
<b>Finishes</b>	—
<b>Fixture Dimensions</b>	Ø7.87" x 4.21" h
<b>Cut-out Dimensions</b>	Ø6.77"
<b>Fixture Weight</b>	3.86 lbs
<b>LED Source</b>	1 High Power Density COB LED
<b>Lumen Maintenance</b>	L90, B10 >50,000 hrs (Ta 25°C)
<b>Color Consistency</b>	3-Step MacAdam
<b>Operating Temp.</b>	-4°F to +113°F
<b>IP Rating</b>	IP67, IP65
<b>IK Rating</b>	IK08
<b>Driveover Rated</b>	Up to 2205 lbs



Cut-out Dimensions: Ø3.78"

Fixture Dimensions



## ORDERING INFORMATION

Example: CR4010000050MI. Accessories ordered separately.

CR4010			
<b>Model No.</b>	<b>Optical Accessories</b>	<b>CCT</b>	<b>Optics</b>
CR4010	0000 - None 0001 - Honeycomb	50 - 3000K 90 - 4000K	SI - 13° MI - 38° LI - 71°

Job Name/Date:

Fixture Type Designation:

## SUGGESTED POWER SUPPLIES

24VDC

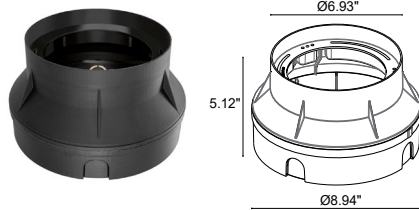
Part Number	Description	Input/Output	# of Fixtures
<a href="#">PPLT00567</a>	Non-Dim	120-277VAC to 24VDC, 36W, Class 2	1-1
<a href="#">PPLT00690</a>	ELV / TRIAC & 0-10V Dimming	120-277VAC to 24VDC, 40W, Class 2, IP67	1-1
<a href="#">PPLT00543</a>	0-10V Dimming to 15% (-40°C / -40°F cold weather start)	120-277VAC to 24VDC, 100W, Class 2	1-3

## Suggested Lutron Compatible

Part Number	Option	Lutron SKU	Dim Range	Description	Input/Output	# of Fixtures
<a href="#">PPLT00273</a>	L3DAE / L3DA3W	L3DA	100%-1%	Hi-Lume™ 1% EcoSystem™ or 1% 3-Wire LED Driver	120-277VAC to 24VDC, 40W, Class 2	1-1
<a href="#">PPLT00530</a>	L3DAE / L3DA3W	L3DA	100%-1%	Hi-Lume™ 1% EcoSystem™ or 1% 3-Wire LED Driver	120-277VAC to 24VDC, 96W, Class 2	1-3

For other power supply options consult factory.

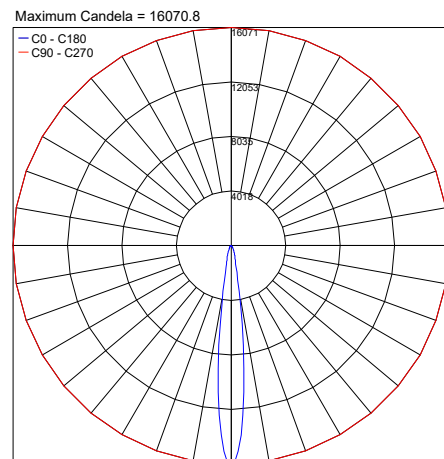
## ACCESSORIES - Installation



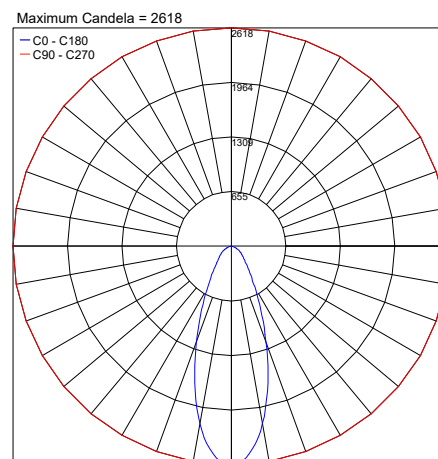
**WCA03**  
Outer Casing  
For in-grade use

## PHOTOMETRIC DATA

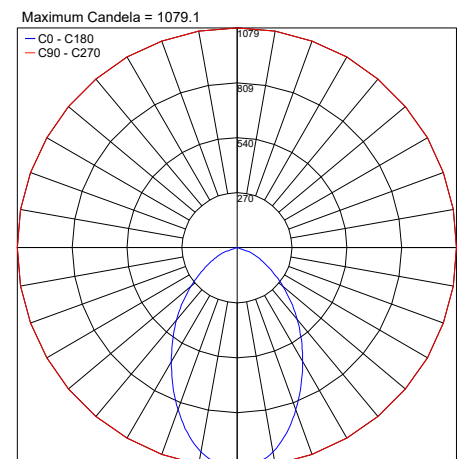
Note all Photometry is 3000K



PHOTOMETRIC FILENAME : CORSO 4.0 S 13° [3000K 21W].IES



PHOTOMETRIC FILENAME : CORSO 4.0 M 38° [3000K 21W].IES



PHOTOMETRIC FILENAME : CORSO 4.0 L 71° [3000K 21W].IES

Job Name/Date:

Fixture Type Designation: