



LED spotlight C2-ST with single lens

description:

LED spotlight for installation on magnetic track,
180° rotatable, 90° swivelling

housing color:

aluminum anodized black, silver, gold
(other surface finishing on request)

optics:

14°, 25°, 60°, 40°+ 15°

light color (+/- 100K):

2700K, 3000K, 3500K, 4000K, 5700K

high power LED, high CRI DIN EN 55015:2013,
lifetime 50,000 hours | basis of lifetime L80B10

protection class: IP20

max. luminous flux (3000K | standard lens 25°):
260lm at 4.5W (58 lm/W)

power input: 12VDC constant voltage

allowed LED driver:

power supply of LPF, LPV, NPF or APV series
by MeanWell with constant voltage 12VDC
(other power supplies on request)

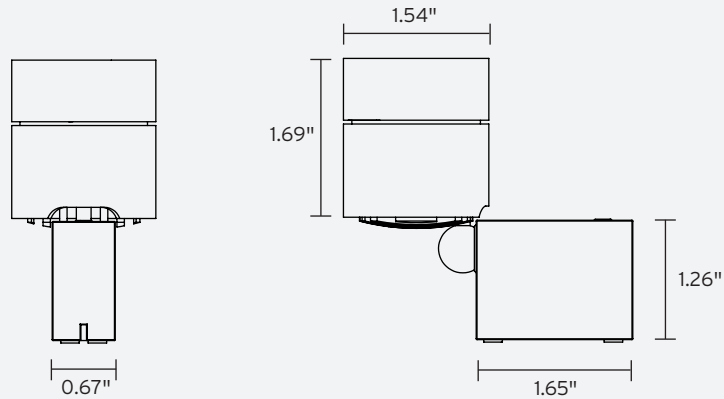
dimming: see drivers

accessory: magnetic track

optional accessory:

magnetic track holders,
honeycomb grid, anti-glare tube, inclined tube,
light diffusion foil, barn door

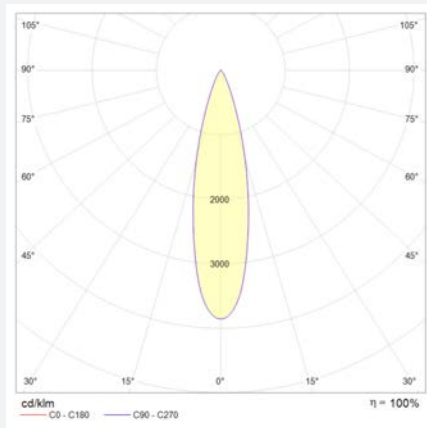
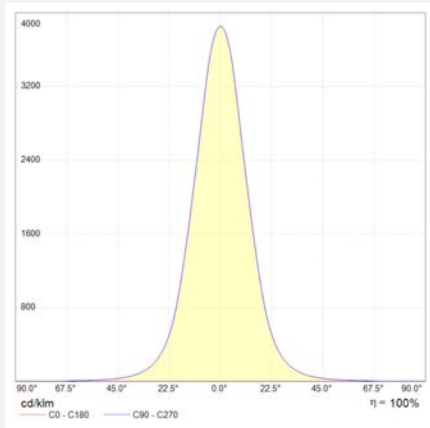
dimensions



specification in inches

photometry

for light color 3000K | standard lens 25° | color rendering index typ. 97, R9 > 90, R12 > 90 | color variation ≤ 3 SDCM



Dimming

The LED spotlight is controlled by a microcontroller and can be dimmed individually using a button (1) on the spotlight foot.

Pressing on the dimming button (> 1 sec.) changes the dimming value. Releasing the button stops the dimming process. Pressing it again changes the dimming direction. Your set dimming is automatically saved after approx. 5 - 10 seconds.

The dimming range is flicker-free adjustable from 100% to 10% in 256 steps. The spotlight is set to 100% at initial start-up.



technical changes reserved | May 2021



LED spotlight C2-ST5 with triple lens

description:

LED spotlight for installation on magnetic track, 180° rotatable, 90° swivelling

housing color:

aluminum anodized black, silver, gold (other surface finishing on request)

optics:

18°, 25°, 32°, 67°

light color (+/- 100K):

2700K, 3000K, 3500K, 4000K, 5700K

high power LED, high CRI DIN EN 55015:2013, lifetime 50,000 hours | basis of lifetime L80B10

protection class: IP20

max. luminous flux (3000K | standard lens 25°):

310 lm at 4.5 W (69 lm/W)

power input: 12VDC constant voltage

allowed LED driver:

power supply of LPF, LPV, NPF or APV series by MeanWell with constant voltage 12VDC (other power supplies on request)

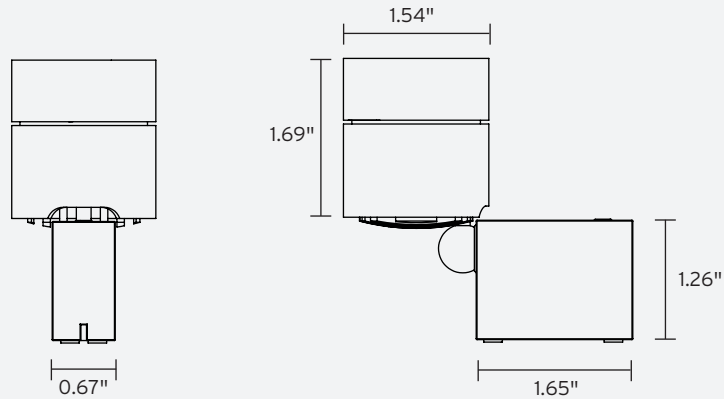
dimming: see drivers

accessory: magnetic track

optional accessory:

magnetic track holders, honeycomb grid, anti-glare tube, inclined tube, light diffusion foil, barn door

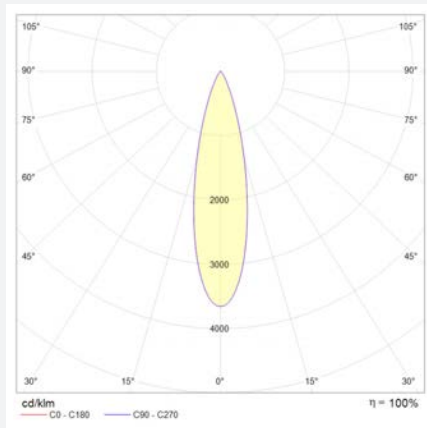
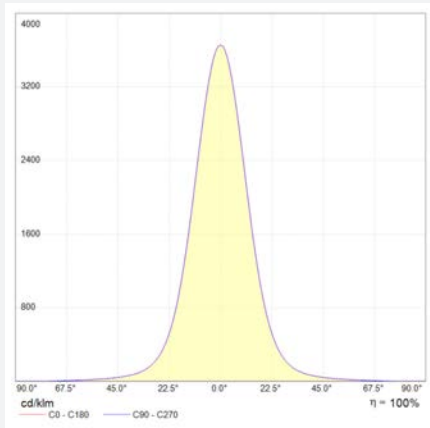
dimensions



specification in inches

photometry

for light color 3000K | standard lens 25° | color rendering index typ. 97, R9 > 90, R12 > 90 | color variation ≤ 3 SDCM



Dimming

The LED spotlight is controlled by a microcontroller and can be dimmed individually using a button (1) on the spotlight foot.

Pressing on the dimming button (> 1 sec.) changes the dimming value. Releasing the button stops the dimming process. Pressing it again changes the dimming direction. Your set dimming is automatically saved after approx. 5 - 10 seconds.

The dimming range is flicker-free adjustable from 100% to 10% in 256 steps. The spotlight is set to 100% at initial start-up.



technical changes reserved | May 2021