

Cobalt LR is a circular, surface-mounted, ligature-resistant luminaire, suitable for outdoor installation to illuminate external pathways at schools, hospitals, retail, and other commercial environments. It is available in 16W, 4000K as standard, and 2 finish options. ADA compliant. Emergency version available.

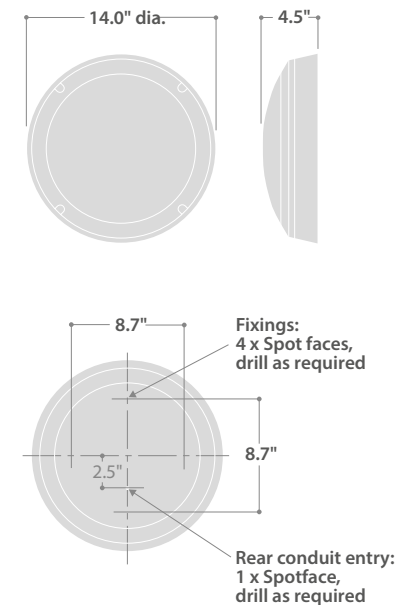


ADA Compliant

## TECHNICAL DATA

<b>Wattage</b>	16W
<b>Power Supply</b>	Remote 700mA, not included. See page 2.
<b>Construction</b>	Body: High-Pressure Die-cast LM2 Aluminum Cover: Spun Aluminum and Polyester Non-yellowing Satin White (RAL 9016) Lens: Satin Polycarbonate
<b>CCT</b>	4000K
<b>CRI</b>	>80
<b>BUG Rating</b>	B1-U2-G1 B0-U1-G0 (Emergency version)
<b>Delivered Lumens</b>	2070 lm
<b>Efficacy</b>	129.4 lm/W
<b>Optics</b>	Diffuse
<b>Finishes</b>	Graphite polyester powder finish standard Silver on request
<b>LED Source</b>	LUX GUARD LED
<b>Lumen Maintenance</b>	100,000 hrs L80, B10
<b>Fixture Dimensions</b>	Ø14.0" x 4.5"
<b>Fixture Weight</b>	7.5 lbs 8.2 lbs (Emergency version)
<b>IP Rating</b>	IP66
<b>Impact Resistance</b>	IK10

## Fixture Dimensions



## ORDERING INFORMATION

Example: CT16114.L.US. **Emergency versions available - use prefix ECT.**

CT16114	L		US
Model No.	Circuit	Finish Options	
CT16114 (Anti-Ligature)	L	SV3 - Silver Graphite - Standard (no code)	US

**Emergency Versions available - use prefix ECT (not available on R - SmartScan version)**

Job Name/Date:

Fixture Type Designation:

## ACCESSORIES

**16977**  
T30 pin Torx bit  
(Suitable for magnetic bit holder)

## SUGGESTED POWER SUPPLIES

700mA

Part Number	Description	Input/Output	# of Fixtures
<a href="#">PPLT00465-P</a>	0-10V Dimming to 1.0%	120-277VAC to 700mA, 20W, Class 2, DAMP	1-1
<a href="#">PPLT00261</a>	Leading / Trailing Edge Dimming to 10% (120V only)	120-277VAC to 700mA, 32W, Class 2	1-1
<a href="#">PPLT00467-P</a>	0-10V Dimming to 1.0%	120-277VAC to 700mA, 50W, Class 2, DAMP	1-2
<a href="#">PPLT00538-P</a>	0-10V Dimming to 0.1%	120-277VAC to 700mA, 100W, Class 2	1-4

## Suggested Lutron Compatible - 700mA

Part Number	Option	Lutron SKU	Dim Range	Description	Input/Output	# of Fixtures
<a href="#">PPLT00635</a>	PEQ0E	PEQ0	100%-0.1%	Hi-Lume™ Premier 0.1% Dim EcoSystem™ LED Driver	120/277VAC to 700mA, 20W, Class 2	1-1
<a href="#">PPLT00673</a>	PEQ0E	PEQ0	100%-0.1%	Hi-Lume™ Premier 0.1% Dim EcoSystem™ LED Driver	120-277VAC to 700mA, 20W, Class 2	1-1
<a href="#">PPLT00517</a>	L3DAE / L3DA3W	L3DA	100%-1%	Hi-Lume™ 1% EcoSystem™ or 1% 3-Wire LED Driver	120-277VAC to 700mA, 27W, Class 2	1-1
<a href="#">PPLT00181</a>	L3DAE / L3DA3W	L3DA	100%-1%	Hi-Lume™ 1% EcoSystem™ or 1% 3-Wire LED Driver	120-277VAC to 700mA, 38W, Class 2	2-2

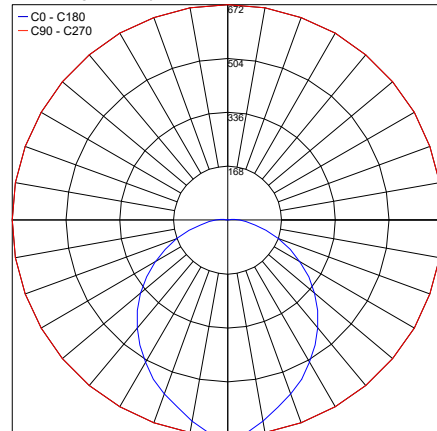
For other power supply options consult factory.

## PHOTOMETRIC DATA

Note all Photometry is 4000K

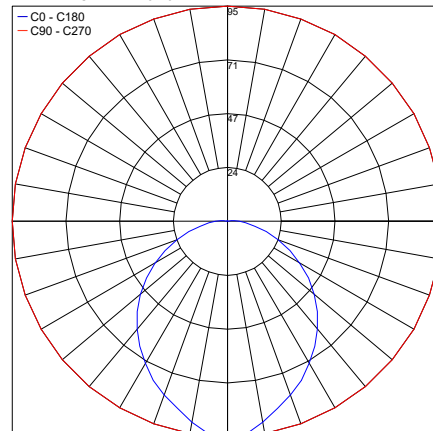
Plain

Maximum Candela = 671.7



Emergency

Maximum Candela = 94.6



Job Name/Date:

Fixture Type Designation: