

design: R&D

POCKET EVO

LAM32
IDEASBECOMINGLIGHT

Luminaire designed for fixed recessed installation on walls and ceilings. Suitable for LED COB sources for asymmetric ambient light. Its body is made of painted stainless steel sheet. The white version could be coated with mural painting after sanding. Closing diffuser in frosted PMMA is integral to the body through dedicated snap-in accessory. The installation on plasterboard walls is allowed by the fixing of the external body with screws in the appropriate microperforated brackets. The same body could be used for masonry wall mounting. Removable LED housing for the setting up. Mains voltage 24VDC. Power supply not included.

designplan® 

79 Trenton Avenue
Frenchtown, NJ 08825

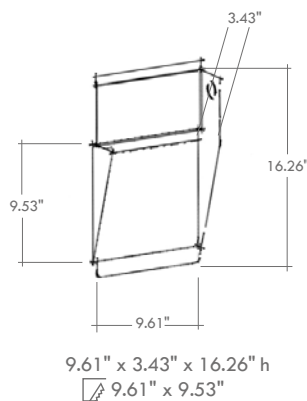
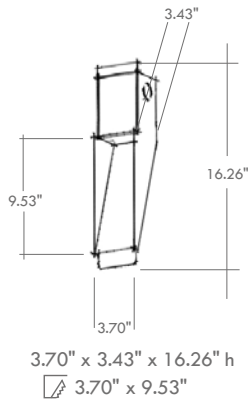
www.designplan.com

Tel: (908) 996-7710
Fax: (908) 996-7042

POCKET EVO



TECHNICAL DRAWING



POCKET EVO-V

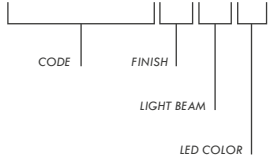
code	lamp	lumens		
		2700K	3000K	4000K
LM08.104149	LED 10W	960	1000	1040

POCKET EVO-S

code	lamp	lumens		
		2700K	3000K	4000K
LM08.104149	LED 2x10W	1920	2000	2088

EXAMPLE OF CODE COMPOSITION

08.104149.03.AS.BF



Light beam

.AS asymmetric

LED Color

.BC 2700K

.BP 3000K

.BF 4000K

FINISH

color	code	color	code	color	code
	.01 / painted white		.02 / painted black		.03 / painted aluminum
	.04 / painted cor-ten		.11 / painted anthracite		

