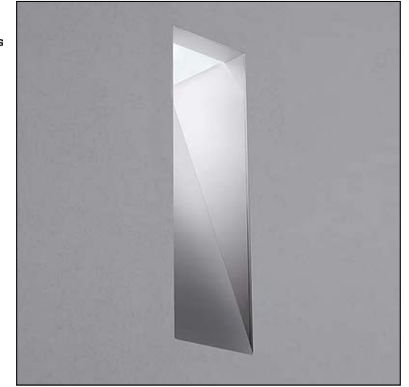


POCKET EVO

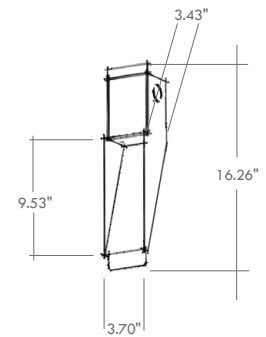
POCKET EVO is a fixed recessed luminaire for installation on indoor walls or ceilings, that produces an asymmetric ambient light. It is available in 3 color temperatures, and 5 standard finishes. It has a removable LED housing for setting up.



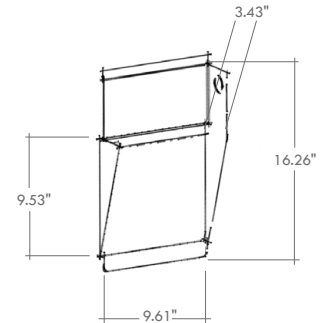
TECHNICAL DATA

Wattage	10W
Power Supply	Remote 300mA / 600mA, not included. See page 2.
Construction	Body: Stainless Steel Sheet (painted) Lens: Frosted PMMA (Acrylic) Closing Diffuser: Frosted PMMA (Acrylic)
CCT	2700K, 3000K, 4000K
BUG Rating	B0-U2-G1
Delivered Lumens	1000 lm (3000K)
Efficacy	100 lm/W (3000K)
Optics	Asymmetric
Finishes	5 Standard, See Below
Fixture Dimensions	3.70" x 3.43" x 16.26" h (Pocket Evo V) 9.61" x 3.43" x 16.26" h (Pocket Evo S)
Cutout Dimensions	3.70" x 9.53" (Pocket Evo V) 9.61" x 9.53" (Pocket Evo S)
Color Consistency	<3-Step MacAdam
IP Rating	IP44

Fixture Dimensions



Pocket Evo-V



Pocket Evo-S

ORDERING INFORMATION

Example: LM05.104149.US.03.CCASP. Accessories / Power Supplies ordered separately.

		CC	AS	
Model No.	Finish	Driver	Optic	CCT
LM08.104149.US (Pocket Evo V)	01 - White	CC - Constant Current	AS - Asymmetric	BC - 2700K
LM08.104297.US (Pocket Evo S)	02 - Black	(See page 2)		BP - 3000K
	03 - Aluminum			BF - 4000K
	04 - Cor-ten			
	11 - Anthracite			

Job Name/Date:

Fixture Type Designation:

SUGGESTED POWER SUPPLIES

300mA - Pocket Evo V

Part Number	Description	Input/Output	# of Fixtures
PPLT00467-P	0-10V Dimming to 1.0%	120-277VAC to 300mA, 50W, Class 2, DAMP	1-1
PPLT00538-P	0-10V Dimming to 0.1% (4 channels)	120-277VAC to 300mA, 100W, Class 2	1-4

SUGGESTED POWER SUPPLIES

600mA - Pocket Evo S

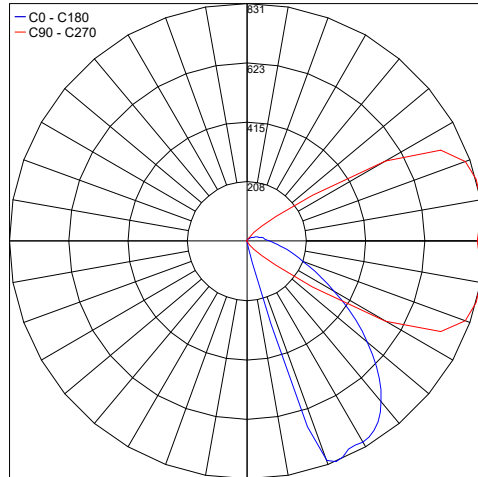
Part Number	Description	Input/Output	# of Fixtures
PPLT00168-P	0-10V Dimming to 1.0% (2 channels)	120-277VAC to 600mA, 50W, Class 2	1-2
PPLT00467-P	0-10V Dimming to 1.0%	120-277VAC to 600mA, 50W, Class 2, DAMP	1-1
PPLT00538-P	0-10V Dimming to 0.1% (4 channels)	120-277VAC to 600mA, 100W, Class 2	1-4

For other power supply options consult factory.

PHOTOMETRIC DATA

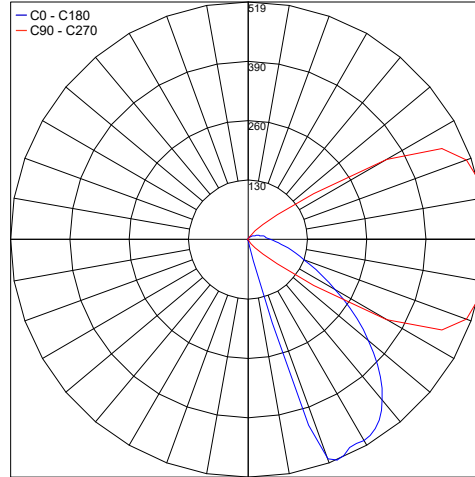
Note: All photometry is 3000K

Maximum Candela = 831



PHOTOMETRIC FILENAME : POCKET EVO-S LM08.104297.XX.AS 9.6W.IES

Maximum Candela = 519.4



PHOTOMETRIC FILENAME : POCKET EVO-V LM08.104149.XX.AS 6W.IES

Job Name/Date:

Fixture Type Designation: