

# POCKET EVO



datasheet

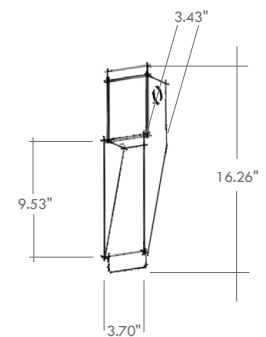
POCKET EVO is a fixed recessed luminaire for installation on indoor walls or ceilings, that produces an asymmetric ambient light. It is available in 3 color temperatures, and 5 standard finishes. It has a removable LED housing for setting up.



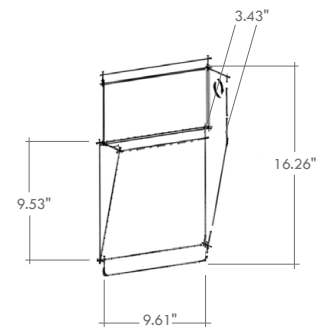
## TECHNICAL DATA

<b>Wattage</b>	10W
<b>Power Supply</b>	Remote, not included. Consult Factory.
<b>Construction</b>	Body: Stainless Steel Sheet (painted) Lens & Closing Diffuser: Frosted PMMA (Acrylic)
<b>CCT</b>	2700K, 3000K, 4000K
<b>BUG Rating</b>	B0-U2-G1
<b>Delivered Lumens</b>	1000 lm (3000K)
<b>Efficacy</b>	100 lm/W (3000K)
<b>Optics</b>	Asymmetric
<b>Finishes</b>	5 Standard, See Below
<b>Fixture Dimensions</b>	3.70" x 3.43" x 16.26" h (Pocket Evo V) 9.61" x 3.43" x 16.26" h (Pocket Evo S)
<b>Cutout Dimensions</b>	3.70" x 9.53" (Pocket Evo V) 9.61" x 9.53" (Pocket Evo S)
<b>Color Consistency</b>	<3-Step MacAdam
<b>IP Rating</b>	IP44
<b>Impact Resistance</b>	IK06

Fixture Dimensions



Pocket Evo-V



Pocket Evo-S



## ORDERING INFORMATION

Example: LM05.104149.US.03.AS.BP. Accessories / Power Supplies ordered separately.

<input type="text"/>	<input type="text"/>	<input type="text" value="AS"/>	<input type="text"/>
<b>Model No.</b>	<b>Finish</b>	<b>Optic</b>	<b>CCT</b>
LM08.104149.US (Pocket Evo V)	01 - White	AS - Asymmetric	BC - 2700K
LM08.104297.US (Pocket Evo S)	02 - Black		BP - 3000K
	03 - Aluminum		BF - 4000K
	04 - Cor-ten		
	11 - Anthracite		

Job Name/Date:

Fixture Type Designation:

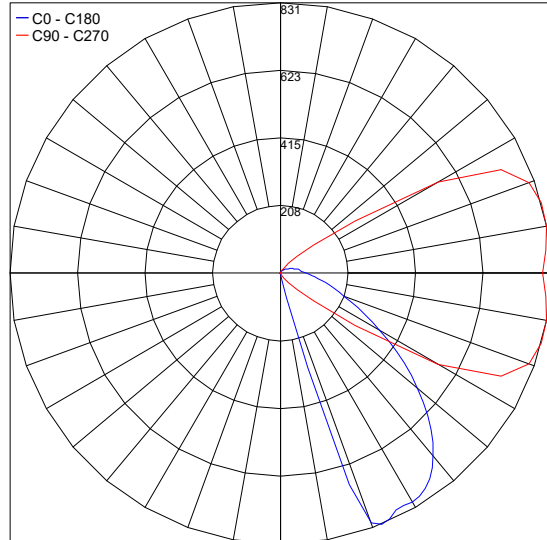
## SUGGESTED POWER SUPPLIES

Consult Factory

## PHOTOMETRIC DATA

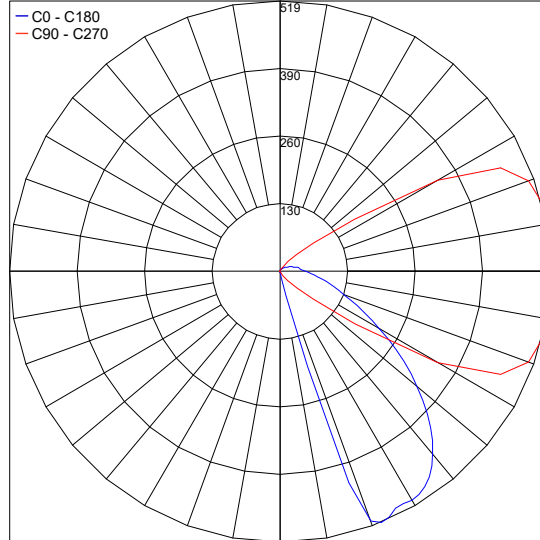
Note: All photometry is 3000K

Maximum Candela = 831



PHOTOMETRIC FILENAME : POCKET EVO-S LM08.104297.XX.AS 9.6W.IES

Maximum Candela = 519.4



PHOTOMETRIC FILENAME : POCKET EVO-V LM08.104149.XX.AS 6W.IES

Job Name/Date:

Fixture Type Designation: