

Slot is an IP66-rated, round bollard for use in outdoor installations, that has 'slots' where the light beams illuminate from. **It is available with illuminated top (1T, 2T, 3T), or without an illuminated top (1, 2, 3),** 3 sizes of each style, and 5 standard finishes.



Fixture Dimensions - See page 2

## TECHNICAL DATA

<b>Wattage</b>	6W (Slot 1), 18W (Slot 2), 30W (Slot 3), Illuminated Top Versions: 6W+2.2W (Slot 1T), 18W +2.2W (Slot 2T), 30+2.2W (Slot 3T)
<b>Power Supply</b>	Remote 24VDC, not included. See page 2.
<b>Construction</b>	Body: Extruded Aluminum (Stainless Steel on request) Lens & Internal Housing: Opal PMMA (Acrylic) Head Light Option: Opal PMMA (Acrylic) Cable Length: 19.7"
<b>CCT</b>	3000K, 4000K
<b>BUG Rating</b>	—
<b>Delivered Lumens</b>	930 lm (Slot 1 - 3000K) + 214 lm top (Slot 1T) 2790 lm (Slot 2 - 3000K) + 214 lm top (Slot 2T) 4650 lm (Slot 3 - 3000K) + 214 lm top (Slot 3T)
<b>Efficacy</b>	155 lm/W (3000K)
<b>Optics</b>	Diffuse
<b>Finishes</b>	5 Standard, See Below
<b>Fixture Dimensions</b>	Ø3.94" x 13.78" h Ø3.94" x 37.40" h Ø3.94" x 61.02" h
<b>Color Consistency</b>	<3-Step MacAdam
<b>IP Rating</b>	IP66
<b>Impact Resistance</b>	IK10

## ORDERING INFORMATION

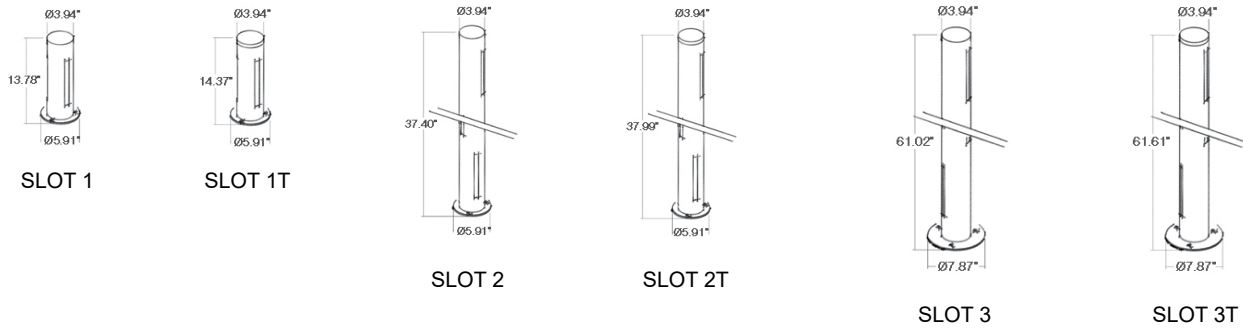
*Example: LM05.101222.US.03.DI.BP. Accessories / Power Supplies ordered separately.*

		<b>DI</b>		
<b>Model No.</b>	<b>Finish</b>	<b>Optic</b>	<b>CCT</b>	<b>Top LED</b>
<b>LM05.101221.US</b> (Slot 1 - WITHOUT Illuminated Top)	<b>01</b> - White	<b>DI</b> - Diffuse	<b>BP</b> - 3000K	<b>RE</b> - Red
<b>LM05.101222.US</b> (Slot 2 - WITHOUT Illuminated Top)	<b>02</b> - Black		<b>BF</b> - 4000K	<b>GR</b> - Green
<b>LM05.101223.US</b> (Slot 3 - WITHOUT Illuminated Top)	<b>03</b> - Gray			<b>BL</b> - Blue
<b>LM05.101224.US</b> (Slot 1T - With Illuminated Top)	<b>04</b> - Cor-ten			<b>NOTE: Only for use with the 'T' model numbers</b>
<b>LM05.101225.US</b> (Slot 2T - With Illuminated Top)	<b>11</b> - Anthracite			
<b>LM05.101226.US</b> (Slot 3T - With Illuminated Top)				

Job Name/Date:

Fixture Type Designation:

## FIXTURE DIMENSIONS



## SUGGESTED POWER SUPPLIES

24VDC

Part Number	Description	Input/Output	# of Fixtures		
			Slot 1	Slot 2	Slot 3
<a href="#">PPLT00632</a>	0-10V Dimming (Dim to Off)	120-277VAC to 24VDC, 12W, Class 2	1-1	—	—
<a href="#">PPLT00056</a>	Non-Dim	120V-277AC to 24VDC, 26W, Class 2, IP66	1-3	1-1	—
<a href="#">PPLT00157</a>	Non-Dim	120VAC to 24VDC, 60W, Class 2	1-8	1-2	1-1
<a href="#">PPLT00627</a>	ELV/TRIAC & 0-10V Dimming (100-0%)	120-277VAC to 24VDC, 96W, Class 2, IP67	1-12	1-4	1-2
<a href="#">PPLT00158</a>	Non-Dim	120VAC to 24VDC, 100W, Class 2	1-13	1-4	1-2
<a href="#">PPLT00543</a>	0-10V Dimming to 15% (-40°C / -40°F cold weather start)	120-277VAC to 24VDC, 100W, Class 2	2-13	1-4	1-2

Part Number	Description	Input/Output	# of Fixtures		
			Slot 1T	Slot 2T	Slot 3T
<a href="#">PPLT00632</a>	0-10V Dimming (Dim to Off)	120-277VAC to 24VDC, 12W, Class 2	1-1	—	—
<a href="#">PPLT00056</a>	Non-Dim	120V-277AC to 24VDC, 26W, Class 2, IP66	1-2	1-1	—
<a href="#">PPLT00157</a>	Non-Dim	120VAC to 24VDC, 60W, Class 2	1-5	1-2	1-1
<a href="#">PPLT00627</a>	ELV/TRIAC & 0-10V Dimming (100-0%)	120-277VAC to 24VDC, 96W, Class 2, IP67	1-7	1-3	1-2
<a href="#">PPLT00158</a>	Non-Dim	120VAC to 24VDC, 100W, Class 2	1-9	1-3	1-2
<a href="#">PPLT00543</a>	0-10V Dimming to 15% (-40°C / -40°F cold weather start)	120-277VAC to 24VDC, 100W, Class 2	2-9	1-3	1-2

For other power supply options consult factory.

## ACCESSORIES - Installation



**Anchor Plate**  
**LM20.100369** (for Slot 1, 1T, 2, 2T)



**Anchor Plate**  
**LM20.101235** (for Slot 3, 3T, 4, 4T)

## PHOTOMETRIC DATA

Coming Soon

Job Name/Date:

Fixture Type Designation: