

Centaur C1.H

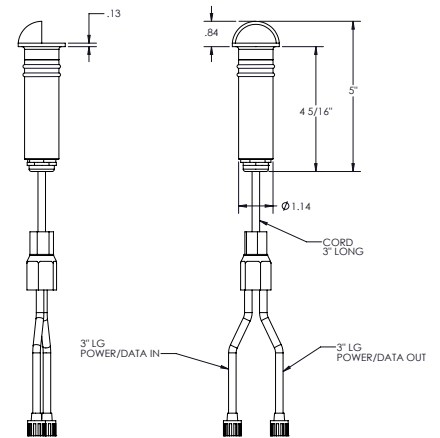
The Centaur C1.H is a 1.5" diameter in-grade upright light made of stainless steel that has a hood, and is suitable for power washing and is driveover rated up to 11,000 lbs. It is available in RGBW or RGBA (A for Amber). Field addressable.



TECHNICAL DATA

Wattage / Input	4W (24VDC)
Power Supply	Remote, not included. See page 2.
Construction	Body and Trim: Stainless Steel 316 Alloy Lens: 0.4" Clear Tempered Glass Lens Frame: Threaded Bottlecap
CCT	RGBW or RGBA (Amber in 2000K)
CRI	>80
BUG Rating	B0-U3-G0 - All Channels B0-U2-G0 - Red B0-U2-G0 - Green B0-U1-G0 - Blue B0-U2-G0 - White
Delivered Lumens	RGBW: 62 lm R: 12 lm, G: 30 lm, B: 9 lm, W: 22 lm
Efficacy	31 lm/W
Optics	30° standard
Finishes	Stainless Steel 316 Alloy
Fixture Dimensions	Ø1.5" x 4.3" h
LED Source	RGBW or RGBA LED
IP Rating	IP68, IP69K
Driveover Rated	11,000 lbs

Fixture Dimensions



ORDERING INFORMATION

Example: C1.H-L-1-4-SS-1-X-T-00.

C1.H-L	-		-	4	-	SS	-		-	X	-	T	-	00
--------	---	--	---	---	---	----	---	--	---	---	---	---	---	----

Model #	CCT / Wattage	Body	Finish	Optics	Driver	Lens	Options
C1.H-L	1 - 4W, RGBW 2 - 4W, RGBA NOTE: A stands for Amber (2000K)	4 - Recessed box with conduit entries	SS - Stainless Steel	0 - None 1 - 30°	X - Remote <i>See p.2 to specify</i>	T - Clear Tempered	00 - None
					RDM DMX Decoder integrate into fixture housing. Fixture required an RDM controller to address and control RGBW colors (provided by others)		

Job Name/Date:

Fixture Type Designation:

SUGGESTED POWER SUPPLIES

24VDC

Part Number	Description	Input/Output	# of Fixtures
PPLT00128	Non-Dim	120VAC to 24VDC, 6W, Class 2, IP65	1-2
PPLT00155	Non-Dim	120VAC to 24VDC, 30W, Class 2	1-12
PPLT00157	Non-Dim	120VAC to 24VDC, 60W, Class 2	1-24

For other power supply options consult factory.

ACCESSORIES

C1.0-OH

Outer Casing

Job Name/Date:

Fixture Type Designation: