

# Centaur C1.H

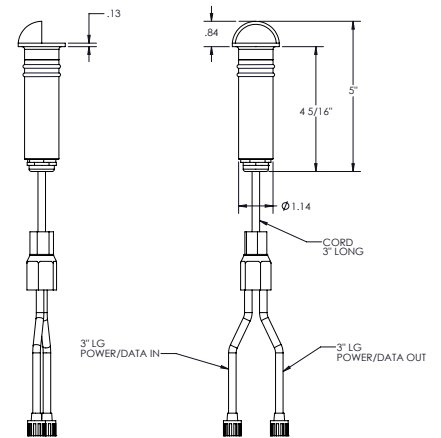
The Centaur C1.H is a 1.5" diameter in-grade upright made of stainless steel that has a hood, and is suitable for power washing and is driveover rated up to 11,000 lbs. It is available in RGBW or RGBA (A for Amber). Field addressable.



## TECHNICAL DATA

<b>Wattage / Input</b>	4W (24VDC)
<b>Power Supply</b>	Remote, not included. See page 2.
<b>Construction</b>	Body and Trim: Stainless Steel 316 Alloy Lens: 0.4" Clear Tempered Glass Lens Frame: Threaded Bottlecap
<b>CCT</b>	RGBW or RGBA (Amber in 2000K)
<b>CRI</b>	>80
<b>BUG Rating</b>	B0-U3-G0 - All Channels B0-U2-G0 - Red B0-U2-G0 - Green B0-U1-G0 - Blue B0-U2-G0 - White
<b>Delivered Lumens</b>	RGBW: 62 lm R: 12 lm, G: 30 lm, B: 9 lm, W: 22 lm
<b>Efficacy</b>	31 lm/W
<b>Optics</b>	30° standard
<b>Finishes</b>	Stainless Steel 316 Alloy
<b>Fixture Dimensions</b>	Ø1.5" x 4.3" h
<b>LED Source</b>	RGBW or RGBA LED
<b>IP Rating</b>	IP68, IP69K
<b>Driveover Rated</b>	11,000 lbs

## Fixture Dimensions



## ORDERING INFORMATION

Example: C1.H-L-1-4-SS-1-X-T-00.

C1.H-L	-		-	4	-	SS	-		-	X	-	T	-	00
--------	---	--	---	---	---	----	---	--	---	---	---	---	---	----

Model #	CCT / Wattage	Body	Finish	Optics	Driver	Lens	Options
C1.H-L	1 - 4W, RGBW 2 - 4W, RGBA <b>NOTE:</b> A stands for Amber (2000K)	4 - Recessed box with conduit entries	SS - Stainless Steel	0 - None 1 - 30°	X - Remote <i>See p. 2 to specify</i>  RDM DMX Decoder integrate into fixture housing. Fixture required an RDM controller to address and control RGBW colors (provided by others)	T - Clear Tempered	00 - None

Job Name/Date:

Fixture Type Designation:

## SUGGESTED POWER SUPPLIES

24VDC

Part Number	Description	Input/Output	# of Fixtures
<a href="#">PPLT00128</a>	Non-Dim	120VAC to 24VDC, 6W, Class 2, IP65	1-2
<a href="#">PPLT00155</a>	Non-Dim	120VAC to 24VDC, 30W, Class 2	1-12

*For other power supply options consult factory.*

## ACCESSORIES

### C1.0-OH

Outer Casing

Job Name/Date:

Fixture Type Designation: