

# FLAT EVO 1, 2, 3, 4

2.2W, 8.1W, 16.2W, 32.5W. Remote 24VDC

designplan®

installation instructions



**INSTRUCTIONS PERTAINING TO RISK OF FIRE OR INJURY TO PERSONS. READ ALL INSTRUCTIONS. IMPORTANT SAFETY INSTRUCTIONS. SAVE THESE INSTRUCTIONS.**

**DANGER - RISK OF SHOCK - DISCONNECT POWER BEFORE INSTALLATION! Please read all instructions before installation.**

- Keep these instructions for future reference.
- Must be installed by a qualified electrician in accordance with national and local standards. Designplan is not responsible for fixtures installed without regard to these standards.
- The main power connection must be in accordance with local electrical codes.
- Unauthorized alterations or tampering of product voids warranty.
- Suitable for OUTDOOR applications.



**IP66**

## Electrical Connections:

- LED lights must be **connected in parallel** respecting polarities.
- **CHOOSE POWER SUPPLY ACCORDINGLY.** Please consider the voltage through which fixtures are fed as well as the max power consumption.
- **Connect power only if all the fixtures are connected.**
- The power supplies **MUST** be installed in aerated rooms, far from heat sources. Overloading or lack of air circulation will not permit natural dissipation.
- Use only Class 2 type electronic power supply.
- Never use switches on secondary circuit.

## Maintenance

Scheduled maintenance must be carried out once a year on all lighting devices, regardless of appliance class and type of use. It must include the following operations:

- Periodically clean fixtures to remove dirt from gratings and screw heads.
- Check tightness of screws on various parts of the device.
- Check that all cable glands and cables are intact and tight. Check that the glass or plastic lens is intact, and replace it if broken or damaged.
- The internal components such as the ballast, driver, washers and screws must not show clear signs of oxidation or rust. Clear traces of rust and oxidation will indicate the presence of water inside the device.
- In the case of damage, the components must be replaced by original components or spare parts.

# FLAT EVO 1, 2, 3, 4

2.2W, 8.1W, 16.2W, 32.5W. Remote 24VDC

installation instructions

## TECHNICAL DRAWING



1.77" x 3.03" x H1.575"  
FLAT EVO 1



3.94" x 7.48" x H1.575"  
FLAT EVO 2



5.91" x 10.24" x H1.575"  
FLAT EVO 3





7.87" x 12.2" x H1.575"  
FLAT EVO 4



model	code	lamp	lumens		optic	lamp	lumens		optic
			3000K	4000K			3000K	4000K	
FLAT EVO 1 *	03.104050	LED 1x2,2W	214	288	.10 .25 .40 .RD .VE .OE			.AS	
FLAT EVO 2	03.104051	LED 4X2,2W	1020	1105					
FLAT EVO 3	03.104052	LED 8X2,2W	2040	2205		LED COB 17,8W	2809	2896	
FLAT EVO 4	03.104053	LED 16X2,2W	3885	4205		LED COB 25,7W	3810	3928	

### ACCESSORIES

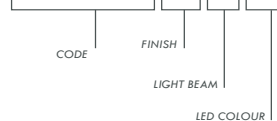
code	version	sizes
45° screen		
	20.104188	FLAT EVO 3 150x220 H170
	20.104189	FLAT EVO 4 200x270 H200
Protection grid		
	20.104346	FLAT EVO 3 150x220
	20.104192	FLAT EVO 4 200x270

### EXAMPLE OF CODE COMPOSITION

Electronic driver 220/240V 50-60Hz integrated in the luminaire's body.

\*Electronic driver 24VDC to be ordered as an accessory. Control Electronics, iSmart CV, iColor CV or iDimm CV, to be ordered as accessory.

03.104050.01.AS.BF



### Light beam

.SP	beam 10°
.MD	beam 25°
.FL	beam 40°
.RD	road
.AS	asymmetric
.VE	vertical elliptical 8°x48°
.OE	horizontal elliptical 48°x8°

### LED Colour

.BP	3000K
.BF	4000K



# FLAT EVO 1, 2, 3, 4

2.2W, 8.1W, 16.2W, 32.5W. Remote 24VDC



FLAT EVO 1



FLAT EVO 2

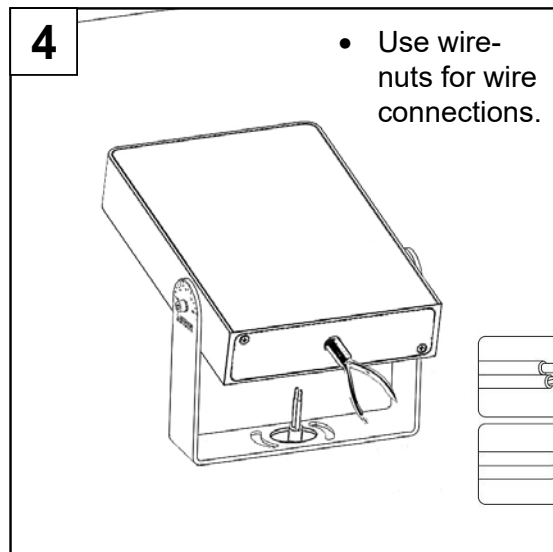
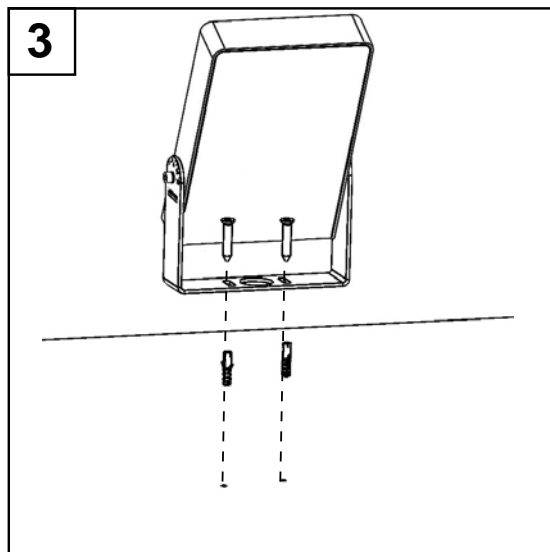
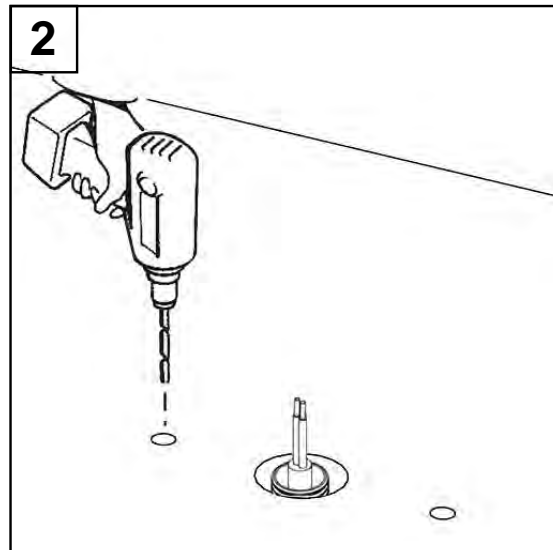
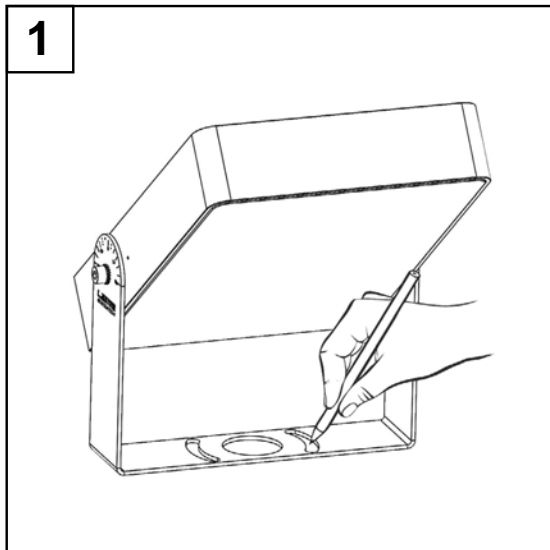


FLAT EVO 3



FLAT EVO 4

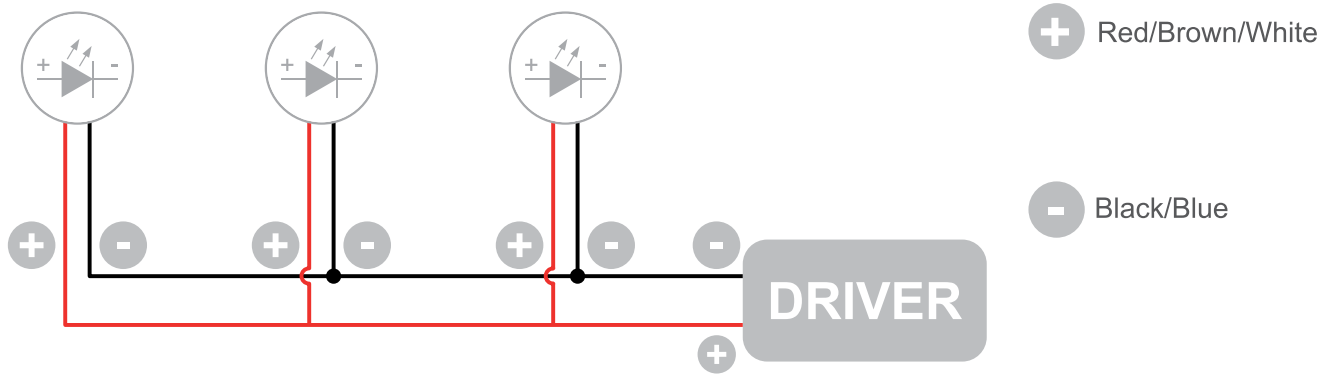
**It is the contractor's responsibility to install Remote Driver in a suitable Electrical Enclosure!!!**



• It is the contractor's responsibility to caulk around all seams of fixture to satisfy wet label requirements.

## Wiring Diagram

24VDC  
(Static White Parallel Connection)



The individual lamps must be connected in parallel. Only power up the system once all the lamps have being connected.

- Only power up the system once all the lamps are connected. Connecting an individual lamp to an active power supply may cause the lamp to break due to over-voltage.
- Lamps and power supply units must be installed in well ventilated boxes or locations to allow a natural heat diffusion and avoid the devices overheating.
- On the power system, install a surge protection device to reduce the intensity of any voltage spikes to protect the lighting fixtures from the risk of damage.
- Fixture NOT suitable for covering with thermally insulating material.