

FLAT EVO 4

Flat Evo is a surface-mounted, outdoor floodlight suitable for installation on walls, ceilings or floors. Flat Evo 4 has 16 LEDs and is available in 2 color temperatures and a variety of optics options.

TECHNICAL DATA

Wattage	32.5W (Flat Evo 4) 25.7W (Flat Evo 4 COB)
Power Supply	Remote, not included. Consult Factory.
Construction	Body: Anticorodal Aluminum (Anodizing Treatment) Lens: Tempered, Extra Clear glass Cable Length: 1.64'
CCT	3000K, 4000K
BUG Rating	B3-U1-G0 (Flat Evo 4 - 3000K, 25°)
Delivered Lumens	4240 lm (3000K - Flat Evo 4) 3810 lm (3000K - Flat Evo 4 COB)
Efficacy	130.5 lm/W (3000K - Flat Evo 4) 148.2 lm/W (3000K - Flat Evo 4 COB)
Optics	7 Available, See Below
Finishes	5 Standard, See Below
Fixture Dimensions	7.87" x 12.20" x 1.57" h
Color Consistency	<3-Step MacAdam
IP Rating	IP66
Impact Resistance	IK08



Flat Evo 4.0



Flat Evo 4.0 (Asymmetric)

Fixture Dimensions - SEE PAGE 2

ORDERING INFORMATION

Example: LM07.104053.US.03.MD.BP. Accessories / Power Supplies ordered separately.

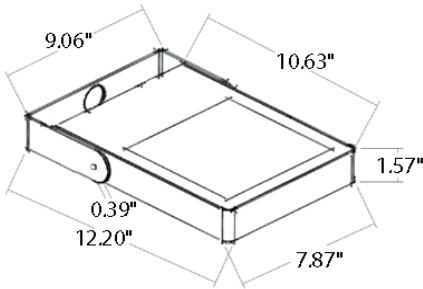
LM03.104053.US	.		.		.	
Model No.	Finish	Optic	CCT			
LM03.104053.US (Flat Evo 4.0)	01 - White 02 - Black 03 - Aluminum 04 - Cor-ten 11 - Anthracite	SP - 10° MD - 25° FL - 40° RD - Road AS - Asym (COB) VE - Vert. Elliptical HE - Horiz. Elliptical	BP - 3000K BF - 4000K			

Job Name/Date:

Fixture Type Designation:

FIXTURE DIMENSIONS

Flat Evo 4.0



SUGGESTED POWER SUPPLIES

Consult Factory

ACCESSORIES



45° Screen

LM20.104189 - Flat Evo 4.0
7.9" x 10.6" x 7.9"



Protection Grid

LM20.104192 - Flat Evo 4.0
7.9" x 10.6"

Job Name/Date:

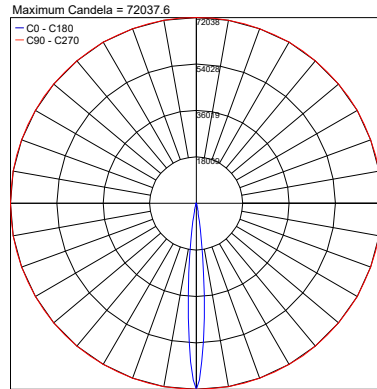
Fixture Type Designation:

PHOTOMETRIC DATA

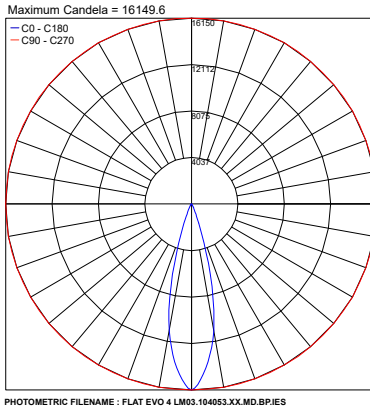
Note: All photometric data is 3000K

Flat Evo 4

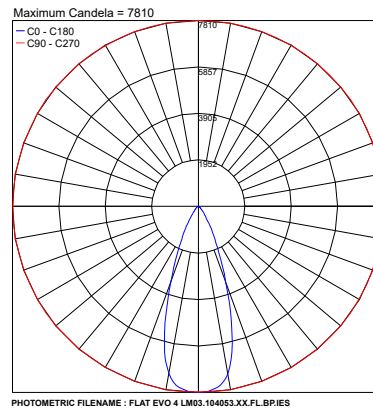
10°



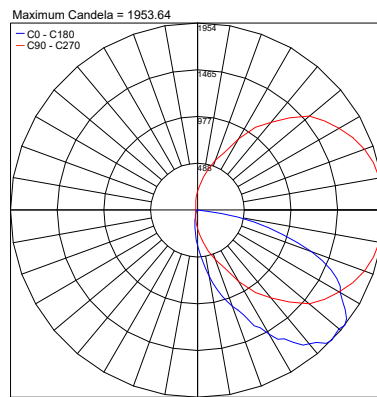
25°



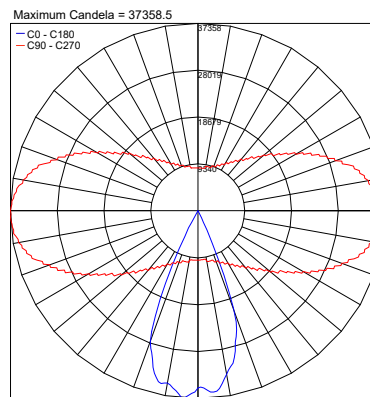
40°



Asymmetric



Horizontal Elliptical



Job Name/Date:

Fixture Type Designation: