

HALF PINT ATHENA

With a body that is 0.625" thick yet only 3.0" tall, Half Pint Athena offers the benefits of 9 in a more compact form, with the Lutron Athena Wireless Node. It features no power cord, integral 0-10V dimming drivers, multiple color temperatures and 4 finish options.



MADE IN THE U.S.A.

Fixture Dimensions
See Chart and Drawing on page 2.

TECHNICAL DATA

Wattage / Input	72W (4 ft) (120-277VAC)
Power Supply	Integral (0-10V Dimming)
Construction	Body: Extruded Aluminum Mounting: Aircraft Cable
CCT	2700K, 3000K, 3500K, 4000K
CRI	>90
Delivered Lumens	Up - 1848 lm, Down - 1866 lm (4 ft, 3000K)
Efficacy	Up: 25.6 lm/W, Down: 25.9 lm/W
Optics	Up: Linear Spread, Down: Diffuse
Finishes	4 Standard, See Below.
Fixture Dimensions	See page 2.
LED Source	Mid-Power LEDs
IP Rating	IP20

Athena Controls by Others

Up and Down dim together
(Separate Dimming on request)

ORDERING INFORMATION

Example: HPI-A-4-30-P-TS-C-SW.

HPI-A	-	4	-		-	P	-		-	C	-	
-------	---	---	---	--	---	---	---	--	---	---	---	--

Model No.	Length	CCT	Body	Finish	Driver	Canopy
HPI-A	4 - 4 foot	27 - 2700K 30 - 3000K 35 - 3500K 40 - 4000K	P - Pendant	02 - Black Suede 18 - Textured Bronze TS - Silver 11 - White Suede 99 - Custom	C - 120-277VAC, 0-10V Dimming	RC - Recessed* SC - Surface* RW - Recessed, White SW - Surface, White AS - Surface Acoustical Tile* AW - Surface Acoustical Tile, White

* Same finish as fixture
- Other color on request -

NOTE: AS & AW utilize a rosette mounting pattern to allow direct mounting to a junction box that will hold a minimum of 50 lbs.

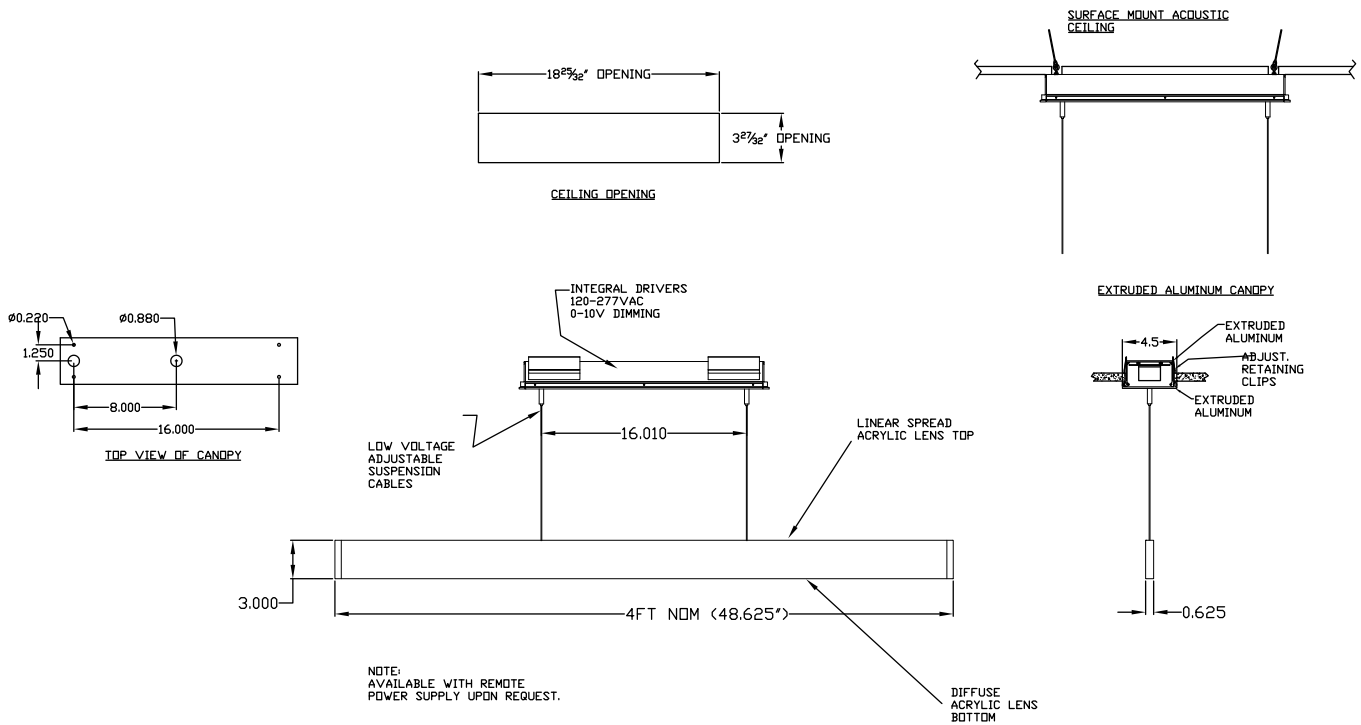
Job Name/Date:

Fixture Type Designation:

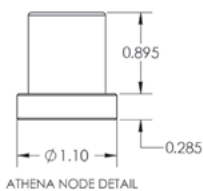
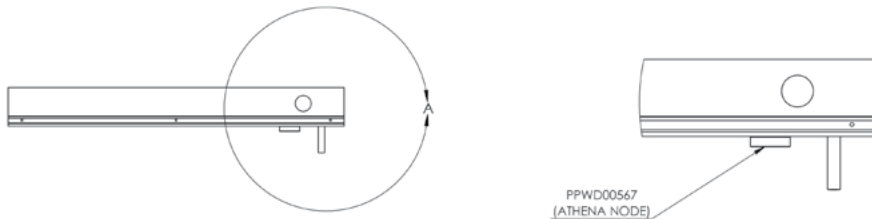
HALF PINT ATHENA

FIXTURE DIMENSIONS

4 foot version



ATHENA NODE PLACEMENT



LAMBDA ATHENA
 HALF PINT ATHENA
 NINE ATHENA
 PLANK ATHENA
 SIDE VIEW

Job Name/Date:

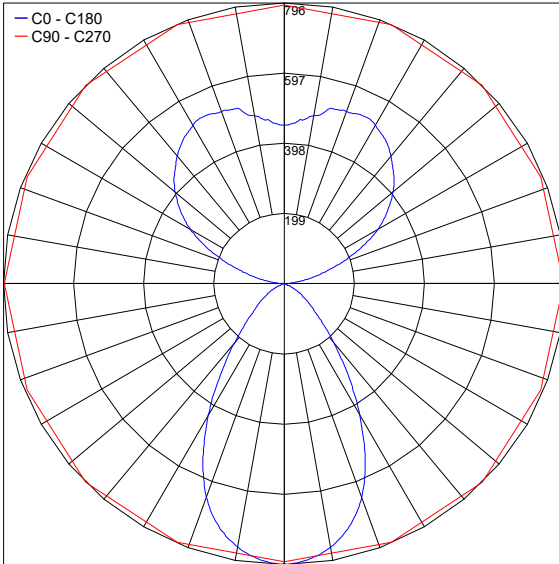
Fixture Type Designation:

PHOTOMETRIC DATA

Note all Photometry is 3000K

Maximum Candela = 796

- C0 - C180
- C90 - C270



Job Name/Date:

Fixture Type Designation: