

NINE ATHENA

Nine Athena is a minimalist lighting solution, using the Lutron Athena Wireless Node, that offers linear spread upper and diffused lower light emissions. Small details such as no power cord maintain the minimalistic idea without sacrificing function in the field. It is available in 4 foot lengths with multiple color temperature and finish options.



MADE IN THE U.S.A.

Fixture Dimensions
See Drawing on page 2.

TECHNICAL DATA

Wattage / Input	72W (4 ft) (120-277VAC)
Power Supply	Integral (0-10V Dimming) with Athena Wireless Node
Construction	Body: Extruded Aluminum Mounting: Aircraft Cable
CCT	2700K, 3000K, 3500K, 4000K
CRI	>90
Delivered Lumens	Up - 1848 lm, Down - 1866 lm (4 ft, 3000K)
Efficacy	Up: 25.6 lm/W, Down: 25.9 lm/W
Optics	Up: Linear Spread, Down: Diffuse
Finishes	4 Standard, See Below.
Fixture Dimensions	See page 2.
LED Source	Mid-Power LEDs
IP Rating	IP20

Athena Controls by Others

Up and Down dim together
(Separate Dimming on request)

ORDERING INFORMATION

Example: D90-A-4-30-P-10-C-SW.

D90-A	-	4	-		-	P	-		-		-	
Model No.	Length	CCT	Body	Finish	Driver	Canopy						
D90-A	4 - 4 foot	27 - 2700K 30 - 3000K 35 - 3500K 40 - 4000K	P - Pendant	02 - Black Suede 18 - Textured Bronze TS - Silver 11 - White Suede 99 - Custom	C - 120-277VAC, 0-10V Dimming	RC - Recessed* SC - Surface* RW - Recessed, White SW - Surface, White AS - Surface Acoustical Tile* AW - Surface Acoustical Tile, White	* Same finish as fixture - Other color on request -					

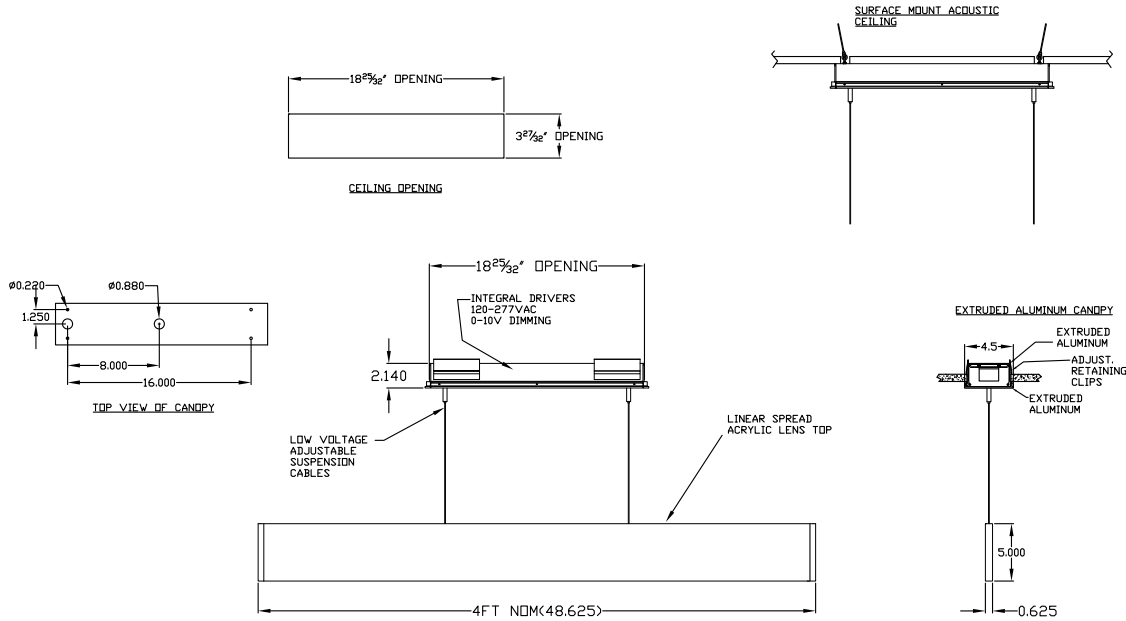
NOTE: AS & AW utilize a rosette mounting pattern to allow direct mounting to a junction box that will hold a minimum of 50 lbs.

Job Name/Date:

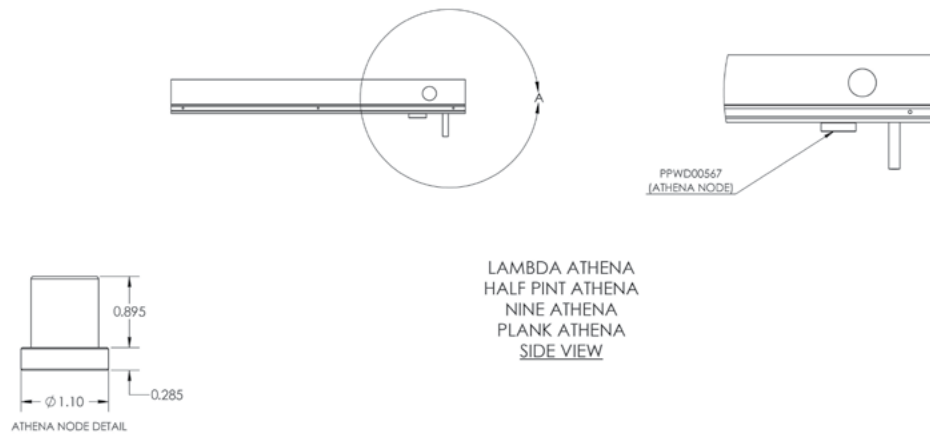
Fixture Type Designation:

FIXTURE DIMENSIONS

4 foot version



ATHENA NODE PLACEMENT



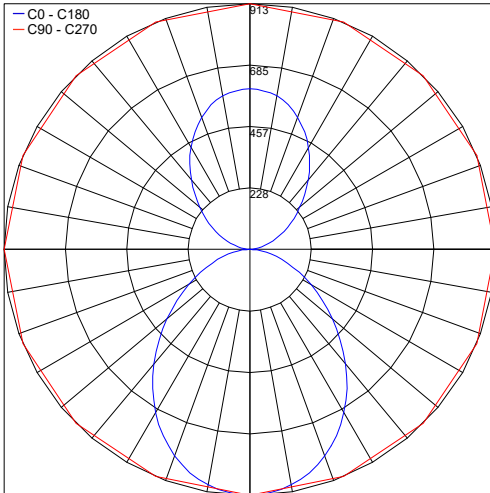
Job Name/Date:

Fixture Type Designation:

PHOTOMETRIC DATA

Note all Photometry is 3000K

Maximum Candela = 913



Job Name/Date:

Fixture Type Designation: