

design R&D

ROUND EVO

LAM32
IDEAS BECOMING LIGHT

Luminaire designed for floor, wall or ceiling installation through stainless steel adjustable supports and dedicated accessories. Suitable for high power LED sources. Its body is made of Anticorodal aluminum alloy, submitted to anodizing treatment and polyester powder coated to ensure durability over time and maximum resistance against atmospheric agents. A stainless steel support bracket and stainless steel screws allow its installation and orientation. Specific screens in extra clear screen-printed and tempered glass are integral to the body through a special glue-sealant used in shipbuilding. The protection degree IP66 is ensured by a special waterproof cable gland. High quality PMMA optics and black antiglare ring allow propagation of light for long distance. The integrated LED driver allows its power supply at 24VDC. All products are equipped with a 19.7" long neoprene cable for connection to the power supply line, through appropriate waterproof connection systems not included.



designplan® 

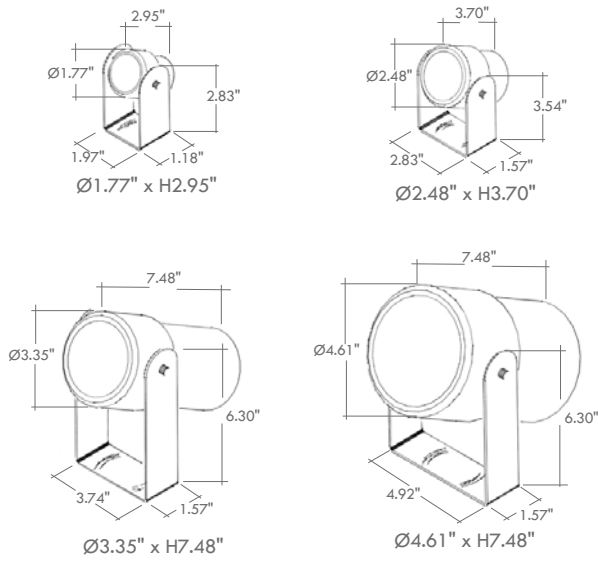
79 Trenton Avenue
Frenchtown, NJ 08825

www.designplan.com

Tel: (908) 996-7710
Fax: (908) 996-7042

ROUND EVO

TECHNICAL DRAWING



model	code	lamp	lumens		
			2700K	3000K	4000K
ROUND EVO 1 - 24VDC*	LM03.103807	LED 2.2W	203	214	228
ROUND EVO 2 - 24VDC*	LM03.103808	LED 6.3W	638	672	705
ROUND EVO 3 - 24VDC*	LM03.103809	LED 12W	1994	2066	2127
ROUND EVO 4 - 24VDC*	LM03.103810	LED 19W	2637	2802	2885

EXAMPLE OF CODE COMPOSITION

*24VDC Version

24VDC Electronic driver and connection systems to be ordered as accessories. Control Electronics: iSmart CV, iColor CV or iDimm CV, to be ordered as an accessory.

*** Available only for Round Evo 1
 **** Available only for Round Evo 2
 ***** Available only for Round Evo 1-3-4

LM03.103807.01.SP.BF		Light beam	
CODE	FINISH	.SS****	beam 8°
		.SP	beam 12°
		.MD	beam 25°
		.FL*****	beam 40°
		.HE****	horizontal elliptical
		LED Color	
		.BC	2700K
		.BP	3000K
		.BF	4000K

FINISH

color	code	color	code	color	code
	.01 / painted white		.02 / painted black		.03 / anodized aluminum
	.04 / painted cor-ten		.11 / painted anthracite		

ACCESSORIES

	code	version	sizes
45° screen.			
	LM20.104161	ROUND EVO 2	Ø2.48" x H2.76"
	LM20.104162	ROUND EVO 3	Ø3.35" x H3.74"
	LM20.104163	ROUND EVO 4	Ø4.61" x H4.92"
Cylindrical screen			
	LM20.104171	ROUND EVO 2	Ø3.35" x H2.76"
	LM20.104164	ROUND EVO 3	Ø3.35" x H3.74"
	LM20.104165	ROUND EVO 4	Ø4.61" x H4.92"
Accessory frame			
	LM20.104172	ROUND EVO 2	Ø2.48"
	LM20.104166	ROUND EVO 3	Ø3.35"
	LM20.104167	ROUND EVO 4	Ø4.61"
Refractor for the elliptical distribution			
	LM20.104301	ROUND EVO 2	Ø2.48"
	LM20.104302	ROUND EVO 3	Ø3.35"
	LM20.104303	ROUND EVO 4	Ø4.61"
Honeycomb baffle			
	LM20.104173	ROUND EVO 2	Ø2.48"
	LM20.104168	ROUND EVO 3	Ø3.35"
	LM20.104169	ROUND EVO 4	Ø4.61"
Protection grid			
	LM20.104307	ROUND EVO 2	Ø2.48"
	LM20.104308	ROUND EVO 3	Ø3.35"
	LM20.104170	ROUND EVO 4	Ø4.61"
Spike for furniture or ground installation.			
	LM20.104312	ROUND EVO 1	1.73" x H1.26"
	LM20.104312	ROUND EVO 2	1.73" x H1.26"
	LM20.104314	ROUND EVO 3	2.95" x H1.575"
	LM20.104314	ROUND EVO 4	2.95" x H1.575"
Clasp for furniture installation through appropriate bands and stretchers.			
	LM20.104318	ROUND EVO 1	2.76" x 1.97"
	LM20.104318	ROUND EVO 2	2.76" x 1.97"
	LM20.104320	ROUND EVO 3	3.94" x 1.97"
	LM20.104320	ROUND EVO 4	3.94" x 1.97"

