

CYLINDER MINI HP

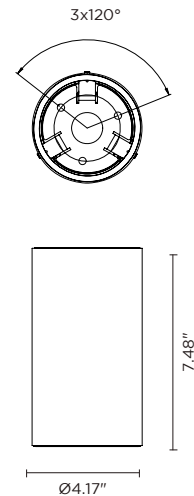
Cylinder Mini HP is a 8W, surface-mounted, cylindrical downlight suitable for outdoor ceiling installation. It is available in 3000K or 4000K, with 3 optical options, and 2 standard finishes.



TECHNICAL DATA

Wattage / Input	8W (120VAC)
Power Supply	Integral
Construction	Body/Frame: Extruded Copper-Free Aluminum Lens: Tempered, Safety Glass
CCT	3000K, 4000K
Delivered Lumens	662 lm (10°, 3000K)
Efficacy	82.8 lm/W
Optics	4°, 10°, 28°
Finishes	Textured Gray, Anthracite Gray, Matte Black (on request)
Fixture Dimensions	Ø4.17" x 7.48" h
Fixture Weight	5.95 lbs
LED Source	1 x CREE "XHP35" LED
IP Rating	IP66
IK Rating	IK09

Fixture Dimensions



ORDERING INFORMATION

Example: 701205P-30K-10-TG

701205P	-		-		
---------	---	--	---	--	--

Model No.	CCT	Optics	Finish
701205P	30K - 3000K 40K - 4000K	04 - 4° 10 - 10° 28 - 28°	TG - Textured Gray AG - Anthracite Gray MB - Matte Black (on request)

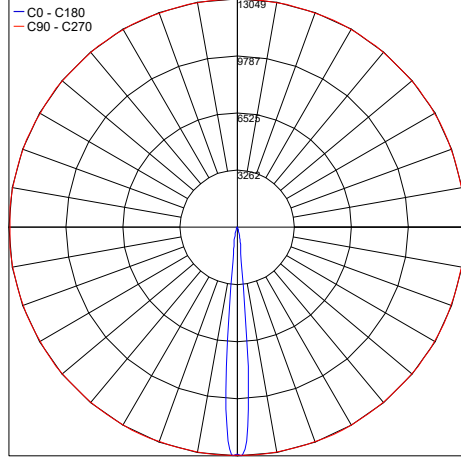
Job Name/Date:

Fixture Type Designation:

PHOTOMETRIC DATA

Note all Photometry is 3000K

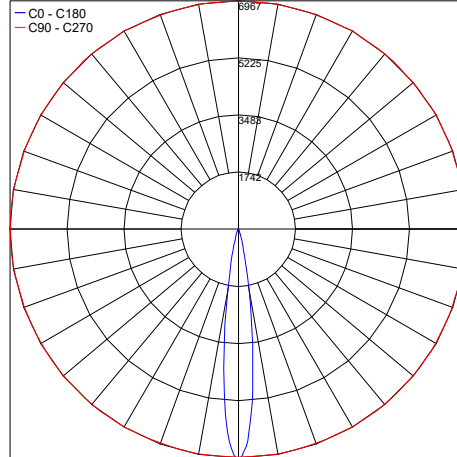
Maximum Candela = 13049.3



PHOTOMETRIC FILENAME : CYLINDER MINI HP 701205_4° 3000K.IES

4°

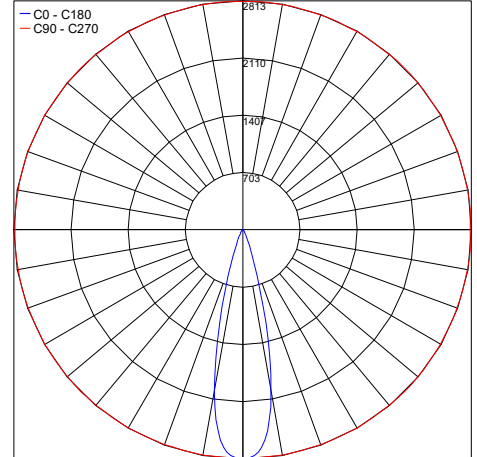
Maximum Candela = 6966.9



PHOTOMETRIC FILENAME : CYLINDER MINI HP 701205_10° 3000K.IES

10°

Maximum Candela = 2813.1



PHOTOMETRIC FILENAME : CYLINDER MINI HP 701205_28° 3000K.IES

28°

Job Name/Date:

Fixture Type Designation: