



Product

# BENTH

---

## About

Bend without breaking, resist changes and to the variables to learn how to manage every situation. BENTH was born for this, adaptable and subtle, its light is oriented to be projected onto surfaces, leaves, hedges and plants, its body blends into the environment, creating a unique and poetic atmosphere together.

# T

# 100



Inox Natural



Inox Graphite



Inox Bronze

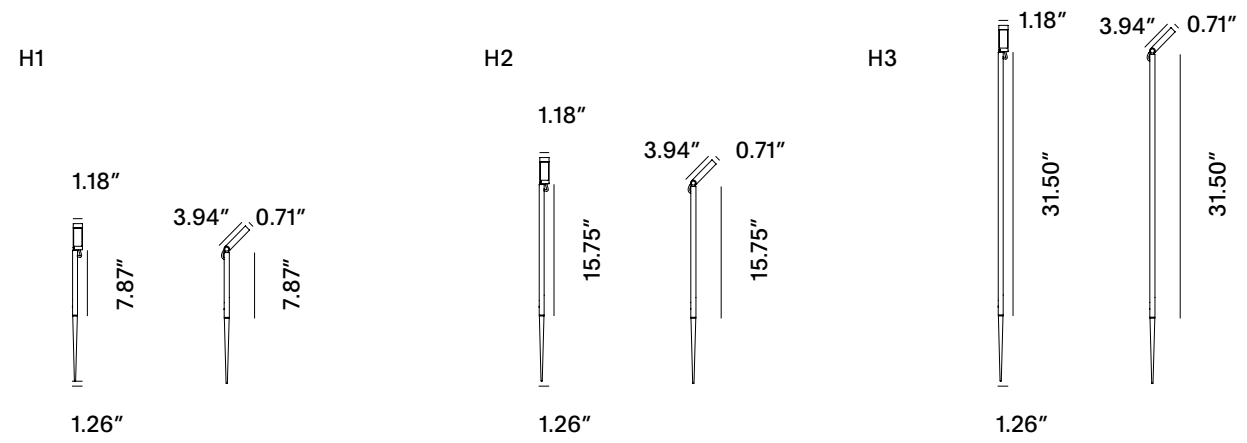


Projector and spike in AISI 316L stainless steel. Adjustable head, variable and adaptable spike height. Black silk-screened extra-clear tempered glass 0.16" thick. Power cable inserted inside the spike for cuts and accidental damage protection. 4 LEDs with 20° and 45° optics at 2700K, 3000K and 4000K. Remote power supply. HCT surface finish available in three variants.

BENTH T100

Color			Emission
2700 K 409 lm	3000 K 433 lm	4000 K 466 lm	
Power 5 W			 20°  45°
 Codes Technical details			

IP65 IK07 Driver & accessories p. 238





is the USA STRAL's official dealer

79 Trenton Avenue  
Frenchtown, NJ

[www.designplan.com](http://www.designplan.com)

Tel: (908) 996-7710  
Fax: (908) 996-7042