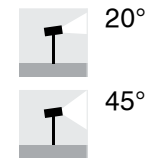


# BENTH T-100

Benth is a small, IP65-rated, LED floodlight on a slim but durable stem, with 110° adjustability to orient the light beam for a variety of needs. It is available in 3 heights, 2 optic options, and 3 Hard Coated Treatment finishes (see below). Can be installed on a mounting plate or spike.



Fixture Dimensions - See page 2

## TECHNICAL DATA

<b>Wattage / Input</b>	5W
<b>Power Supply</b>	Remote 350mA
<b>Dimming</b>	See Power Supplies
<b>Construction</b>	Body: AISI 316L Stainless Steel Lens: Transparent Polycarbonate
<b>CCT</b>	2700K, 3000K, 4000K
<b>CRI</b>	>80
<b>Delivered Lumens</b>	325 lm (3000K)
<b>Efficacy</b>	65 lm/W (3000K)
<b>Optics</b>	20°, 45° (Adjustable 110°)
<b>BUG Rating</b>	—
<b>Lumen Maintenance</b>	100,000 hrs L80, B10 (Ta 25°C)
<b>Hard Coat Finishes</b>	Inox Natural, Inox Graphite, Inox Bronze
<b>Fixture Dimensions</b>	Head: 3.94" l x 1.18" Heights: 7.87", 15.75" , 31.50"
<b>IP Rating</b>	IP65
<b>Impact Resistance</b>	IK07

**Hard Coating Treatment** is the surface treatment of all the products by Stral Lighting. Available in three finishes Inox Natural, Inox Graphite and Inox Bronze. It guarantees a high superficial resistance to corrosion and atmospheric agents, as well as making the products anti-fingerprint and anti-stain.

## ORDERING INFORMATION

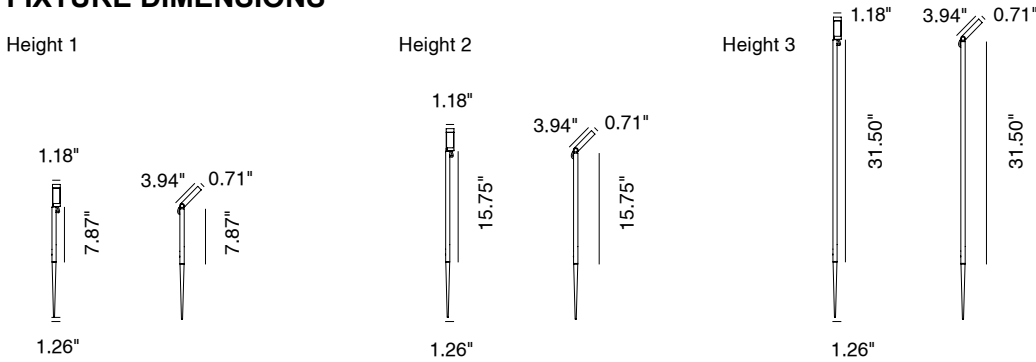
Example: SPT5034034BS.US. Power Supplies / Accessories sold separately.

SPT503						.US
Model No.	Height	CCT	Optics	Finishes	Fixing	
SPT503	20 - 7.87" 40 - 15.75" 80 - 31.50"	2 - 2700K 3 - 3000K 4 - 4000K	2 - 20° 4 - 45°	N - Inox Natural G - Inox Graphite B - Inox Bronze	F - On Mounting Plate S - On Spike	.US

Job Name/Date:

Fixture Type Designation:

## FIXTURE DIMENSIONS



## SUGGESTED POWER SUPPLIES

350mA

Part Number	Description	Input/Output	# of Fixtures
<a href="#">PPLT00148</a>	0-10V Dimming to 10%	120-277VAC to 350mA, 6W, Class 2	1-1
<a href="#">PPLT00496</a>	Phase Dim (120V only)	120VAC to 350mA, 12W, Class 2, DAMP	1-2
<a href="#">PPLT00263</a>	Leading / Trailing Edge Dimming to 10% (120V only)	120-277VAC to 350mA, 32W, Class 2	2-3
<a href="#">PPLT00467-P</a>	0-10V Dimming to 1.0%	120-277VAC to 350mA, 50W, Class 2, DAMP	1-4
<a href="#">PPLT00538-P</a>	0-10V Dimming to 0.1% (4 channels)	120-277VAC to 350mA, 100W, Class 2	1-4 (1-16)

## Suggested Lutron Compatible

Part Number	Option	Lutron SKU	Dim Range	Description	Input/Output	# of Fixtures
<a href="#">PPLT00247</a>	L3DAE / L3DA3W	L3DA	100%-1%	Hi-Lume™ 1% EcoSystem™ or 1% 3-Wire LED Driver	120-277VAC to 350mA, 7W, Class 2	1-1
<a href="#">PPLT00516</a>	L3DAE / L3DA3W	L3DA	100%-1%	Hi-Lume™ 1% EcoSystem™ or 1% 3-Wire LED Driver	120-277VAC to 350mA, 13W, Class 2	2-2
<a href="#">PPLT00179</a>	L3DAE / L3DA3W	L3DA	100%-1%	Hi-Lume™ 1% EcoSystem™ or 1% 3-Wire LED Driver	120-277VAC to 350mA, 19W, Class 2	3-4

For other power supply options consult factory.

## FINISHES



Inox Natural

Inox Graphite

Inox Bronze

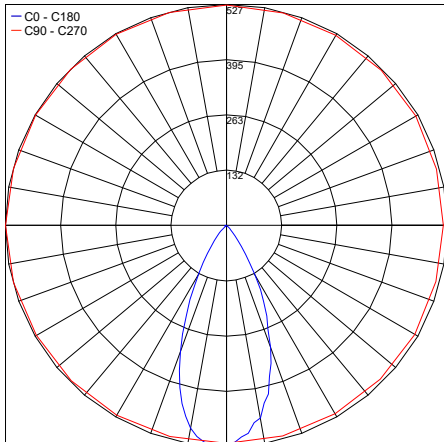
Job Name/Date:

Fixture Type Designation:

## PHOTOMETRIC DATA

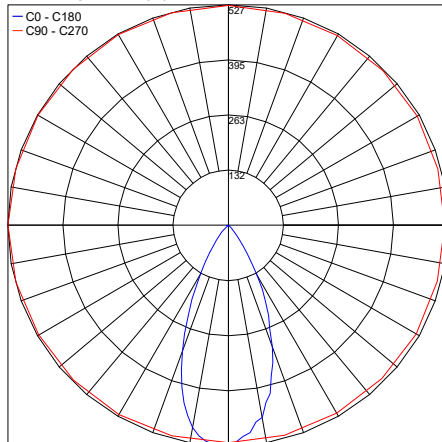
Note: All photometric data is 3000K

Maximum Candela = 526.7



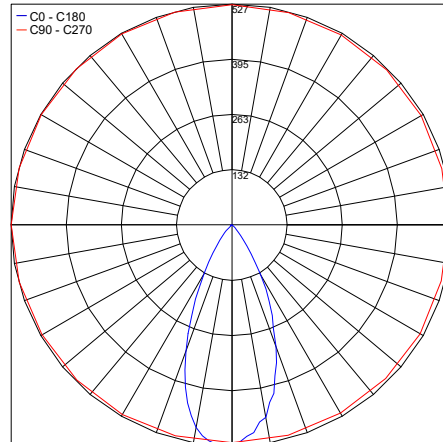
PHOTOMETRIC FILENAME : PT5032034B.IES

Maximum Candela = 526.7



PHOTOMETRIC FILENAME : PT5034034B.IES

Maximum Candela = 526.7



PHOTOMETRIC FILENAME : PT5038034B.IES

Job Name/Date:

Fixture Type Designation: