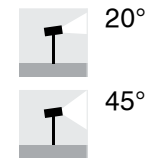


BENTH T-100

Benth is a small, IP65-rated, LED floodlight on a slim but durable stem, with 110° adjustability to orient the light beam for a variety of needs. It is available in 3 heights, 2 optic options, and 3 Hard Coated Treatment finishes (see below). Can be installed on a mounting plate or spike.



Fixture Dimensions - See page 2

TECHNICAL DATA

| | |
|---------------------------|--|
| Wattage / Input | 5W |
| Power Supply | Remote 350mA |
| Dimming | See Power Supplies |
| Construction | Body: AISI 316L Stainless Steel Lens: Transparent Polycarbonate |
| CCT | 2700K, 3000K, 4000K |
| CRI | >85 |
| Delivered Lumens | 325 lm (3000K) |
| Efficacy | 65 lm/W (3000K) |
| Optics | 20°, 45° (Adjustable 110°) |
| BUG Rating | — |
| Lumen Maintenance | 100,000 hrs L80, B10 (Ta 25°C) |
| Hard Coat Finishes | Inox Natural, Inox Graphite, Inox Bronze |
| Fixture Dimensions | Head: 3.94" l x 1.18" Heights: 7.87", 15.75" , 31.50" |
| IP Rating | IP65 |
| Impact Resistance | IK07 |
| Warranty | 10 Years Against Corrosion 5 Years on Electrical Components |

Hard Coating Treatment is the surface treatment of all the products by Stral Lighting. It is not a skin of color, but instead is a process that allows for the color to be absorbed all the way through. If a product is scratched, the color beneath is the same as the color on the surface. It guarantees a high superficial resistance to corrosion and atmospheric agents, as well as making the products anti-fingerprint and anti-stain. Available in three finishes Inox Natural, Inox Graphite and Inox Bronze.

ORDERING INFORMATION

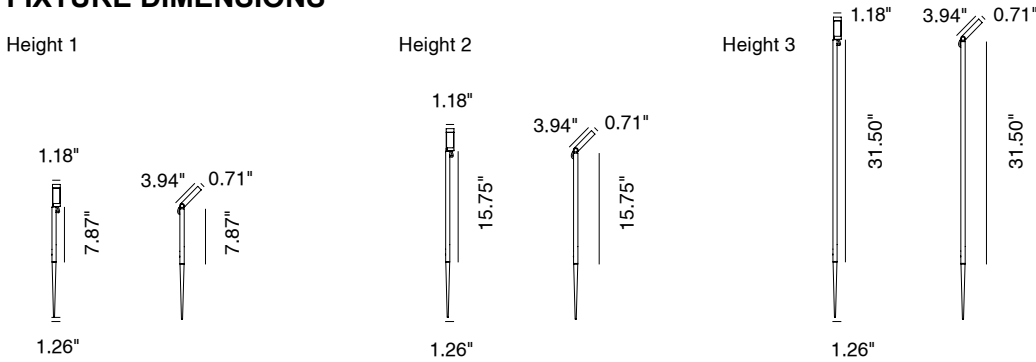
Example: SPT5034034BS.US. Power Supplies / Accessories sold separately.

| SPT503 | | | | | | .US |
|-----------|--|-------------------------------------|--------------------|--|---------------------------------------|-----|
| Model No. | Height | CCT | Optics | Finishes | Fixing | |
| SPT503 | 20 - 7.87" 40 - 15.75" 80 - 31.50" | 2 - 2700K 3 - 3000K 4 - 4000K | 2 - 20° 4 - 45° | N - Inox Natural G - Inox Graphite B - Inox Bronze | F - On Mounting Plate S - On Spike | .US |

Job Name/Date:

Fixture Type Designation:

FIXTURE DIMENSIONS



SUGGESTED POWER SUPPLIES

350mA

| Part Number | Description | Input/Output | # of Fixtures |
|-----------------------------|--|---|---------------|
| PPLT00148 | 0-10V Dimming to 10% | 120-277VAC to 350mA, 6W, Class 2 | 1-1 |
| PPLT00496 | Phase Dim (120V only) | 120VAC to 350mA, 12W, Class 2, DAMP | 1-2 |
| PPLT00263 | Leading / Trailing Edge Dimming to 10% (120V only) | 120-277VAC to 350mA, 32W, Class 2 | 2-3 |
| PPLT00467-P | 0-10V Dimming to 1.0% | 120-277VAC to 350mA, 50W, Class 2, DAMP | 1-4 |
| PPLT00538-P | 0-10V Dimming to 0.1% (4 channels) | 120-277VAC to 350mA, 100W, Class 2 | 1-4 (1-16) |

Suggested Lutron Compatible

| Part Number | Option | Lutron SKU | Dim Range | Description | Input/Output | # of Fixtures |
|---------------------------|----------------|------------|-----------|--|-----------------------------------|---------------|
| PPLT00247 | L3DAE / L3DA3W | L3DA | 100%-1% | Hi-Lume™ 1% EcoSystem™ or 1% 3-Wire LED Driver | 120-277VAC to 350mA, 7W, Class 2 | 1-1 |
| PPLT00516 | L3DAE / L3DA3W | L3DA | 100%-1% | Hi-Lume™ 1% EcoSystem™ or 1% 3-Wire LED Driver | 120-277VAC to 350mA, 13W, Class 2 | 2-2 |
| PPLT00179 | L3DAE / L3DA3W | L3DA | 100%-1% | Hi-Lume™ 1% EcoSystem™ or 1% 3-Wire LED Driver | 120-277VAC to 350mA, 19W, Class 2 | 3-4 |

For other power supply options consult factory.

FINISHES



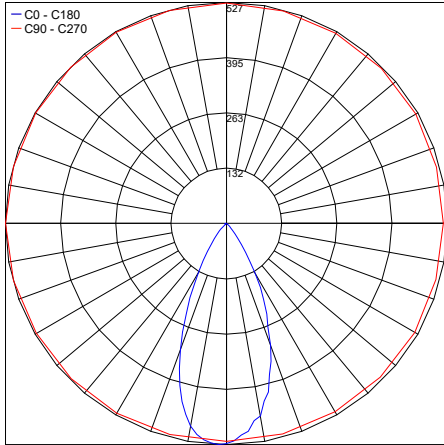
Job Name/Date:

Fixture Type Designation:

PHOTOMETRIC DATA

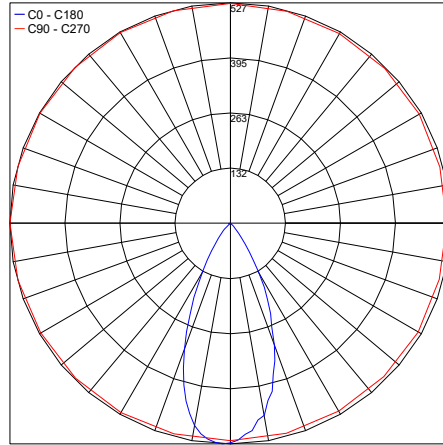
Note: All photometric data is 3000K

Maximum Candela = 526.7



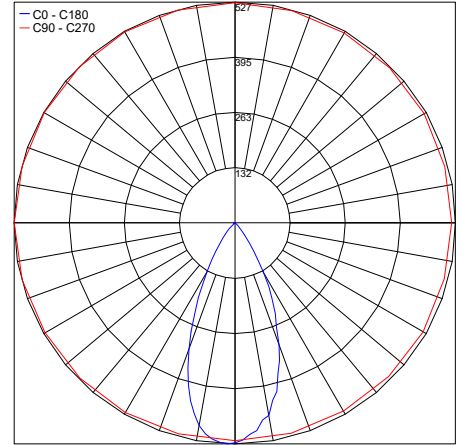
PHOTOMETRIC FILENAME : PT5032034B.IES

Maximum Candela = 526.7



PHOTOMETRIC FILENAME : PT5034034B.IES

Maximum Candela = 526.7



PHOTOMETRIC FILENAME : PT5038034B.IES

Job Name/Date:

Fixture Type Designation: