

FOCAL D-50

Focal is a IP66-rated LED floodlight with locking ring, parallel lines, and a head axial rotation of 180°, that is perfectly suited for illuminating architectural details and natural elements such as shrubs and planted areas. It is available in 2 head sizes, 3 heights, and in 3 standard Hard Coat Treatment finishes.



GU4



LED

Fixture Dimensions - See page 2

TECHNICAL DATA

| | |
|---------------------------|------------------------------------------------------------------------------------|
| Wattage / Input | 5W LED or GU4 (Lamp by others) |
| Power Supply | Remote 12VDC Constant Voltage |
| Dimming | See Power Supplies on Page 2 |
| Construction | Body: AISI 316L Stainless Steel Lens: Extra-clear Tempered Glass 0.16" Thick |
| CCT | 2200K, 2700K, 3000K or GU4 Lamp by others |
| BUG Rating | B1-U1-G0 (6°, 10°x35°, 15°, 25°) B0-U1-G0 (35°) |
| CRI | >80 |
| Delivered Lumens | 550 lm (3000K) or Determined by Lamp |
| Efficacy | 110 lm/W (3000K) or Determined by Lamp |
| Optics | Multilens: 6°, 15°, 25°, 38°, 10°x 35°, Wide or Determined by Lamp |
| Hard Coat Finishes | Inox Natural, Inox Graphite, Inox Bronze |
| Fixture Dimensions | Ø2.2" x 7.9", 15.8", 31.5" h |
| IP Rating | IP66 |
| Impact Resistance | IK08 |
| Warranty | 10 Years Against Corrosion 5 Years on Electrical Components |

Hard Coating Treatment is the surface treatment of all the products by Stral Lighting. It is not a skin of color, but instead is a process that allows for the color to be absorbed all the way through. If a product is scratched, the color beneath is the same as the color on the surface. It guarantees a high superficial resistance to corrosion and atmospheric agents, as well as making the products anti-fingerprint and anti-stain. Available in three finishes Inox Natural, Inox Graphite and Inox Bronze.

ORDERING INFORMATION

Example: SPT5015034BF.US. Power Supplies / Accessories sold separately.

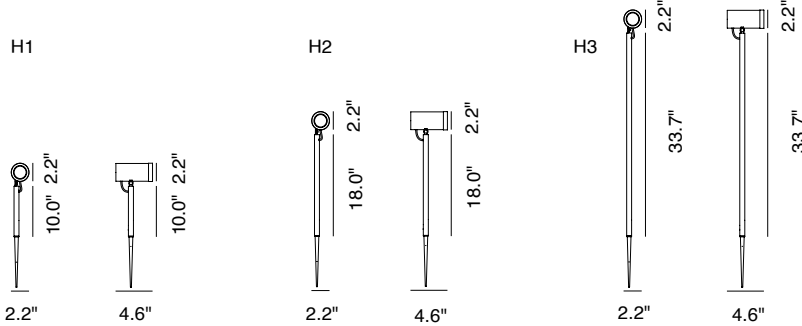
| SPT50150 | | | | | .US |
|-----------|-------------------------------|------------|-------------------|-------------------------|-----|
| Model No. | CCT | Height | Finishes | Fixing | |
| SPT50150 | 1 - 2200K | 2 - 7.87" | N - Inox Natural | F - On Mounting Plate | .US |
| | 2 - 2700K | 4 - 15.75" | G - Inox Graphite | S - On Spike (included) | |
| | 3 - 3000K | 8 - 31.50" | B - Inox Bronze | | |
| | 4 - GU4 Lamp - Bulb by Others | | | | |

Job Name/Date:

Fixture Type Designation:

FIXTURE DIMENSIONS

FOCAL D-50



FINISHES



SUGGESTED POWER SUPPLIES

12VDC

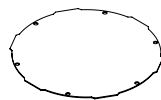
| Part Number | Description | Input/Output | # of Fixtures | |
|---------------------------|---------------------------|----------------------------------------------|---------------|------|
| | | | D-50 | D-70 |
| PPLT00654 | 0-10V Dimming | 120-277VAC to 12VDC, 50W, Class 2 | 1-13 | 1-8 |
| PPLT00506 | Non-Dim | 120-277VAC to 12VDC, 60W, Class 2, DAMP | 1-16 | 1-9 |
| PPLT00721 | ELV/TRIAC & 0-10V to 0.1% | 120-277VAC to 12VDC, 100W, Class 2, WET/DAMP | 1-26 | 1-16 |

For other power supply options consult factory.

ACCESSORIES



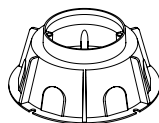
PT40002
Mortar Cap
Ø4.33"



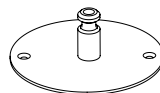
PT40003
Bottom Cap
Ø6.30"



PT69001
Spike 1
Ø0.79" x 1.97" w x 9.45" h



PT52123
Casing
Ø7.87" x 7.87" w x 3.15" h



PT68100
Casing Flange 1
Ø4.33" x 1.57" h

PT68101
Casing Flange 2
Ø4.33" x 1.57" h

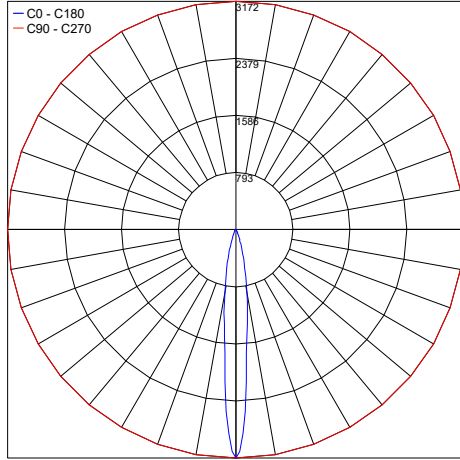
Job Name/Date:

Fixture Type Designation:

PHOTOMETRIC DATA

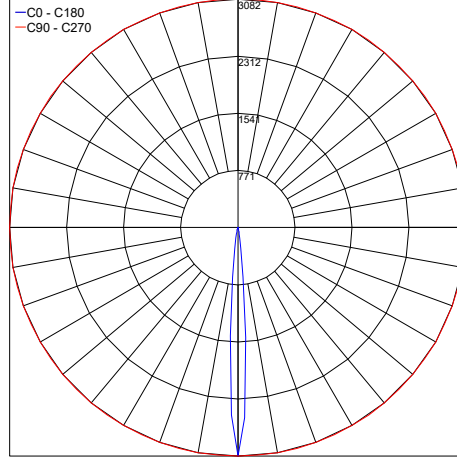
Multilens includes the below optics at 2700K

Maximum Candela = 3172.5



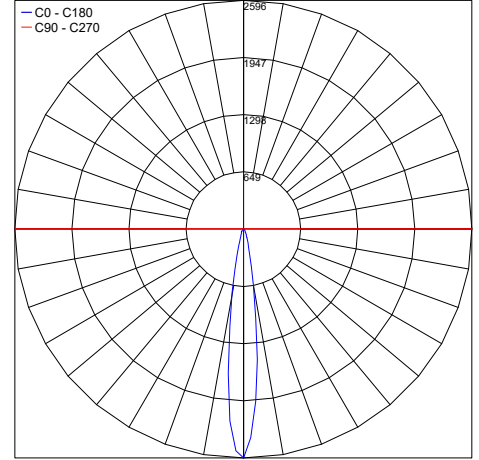
PHOTOMETRIC FILENAME : FOCAL D-50 / D-70 2700K 6°

Maximum Candela = 3082.4



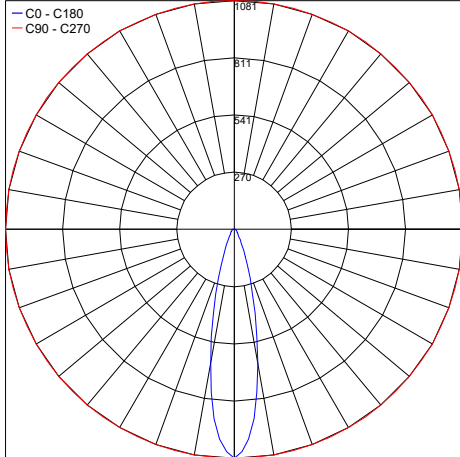
PHOTOMETRIC FILENAME : FOCAL D-50 / D-70 2700K 10°X35°

Maximum Candela = 2595.9



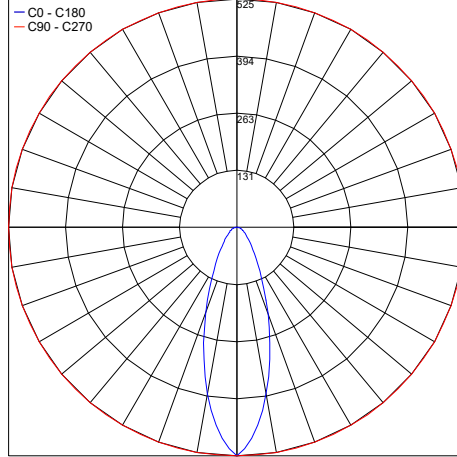
PHOTOMETRIC FILENAME : FOCAL D-50 2700K 15° - PT5025020B.IES

Maximum Candela = 1081.0



PHOTOMETRIC FILENAME : FOCAL D-50 / D-70 2700K 25°

Maximum Candela = 525.5



PHOTOMETRIC FILENAME : FOCAL D-50 2700K 35° - PT5025020B.IES

Job Name/Date:

Fixture Type Designation: